
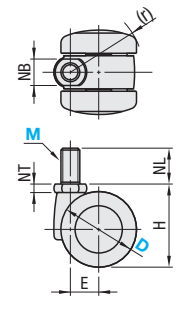


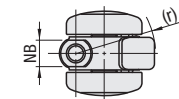
Design Casters

Ball Casters / Plastic Casters

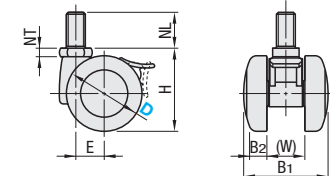


CTYNB





CTYNBS




| Shaft | | Wheel |
|----------|--------------------|------------------|
| M | S | M |
| Material | Surface Treatment | Material (Color) |
| SWCH | Trivalent Chromate | Nylon (Black) |

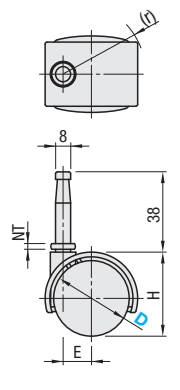
RoHS10 For dedicated wrenches, see P.1084.

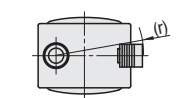
| Main Body | Part Number Type | D | M | H | B ₁ | B ₂ | (W) | Mounting Screw | | | E | Allowable Load (N) | Unit Price | |
|------------------------------|------------------|----|----|------|----------------|----------------|-----|----------------|----|----|----|--------------------|------------|--|
| | | | | | | | | NB | NT | NL | | | | |
| Swivel Screw-In | CTYNB | 40 | 10 | 44 | 44 | 12 | 20 | 14 | 5 | 19 | 39 | 15 | 392 | |
| | | 50 | 12 | 57.5 | 49 | 9.5 | 21 | 17 | 6 | 22 | 46 | 17 | 588 | |
| Swivel Screw-In with Stopper | CTYNBS | 40 | 10 | 44 | 44 | 12 | 20 | 14 | 5 | 19 | 42 | 15 | 392 | |
| | | 50 | 12 | 57.5 | 49 | 9.5 | 21 | 17 | 6 | 22 | 48 | 17 | 588 | |

Ordering Example: Part Number - M
CTYNBS40 - 10

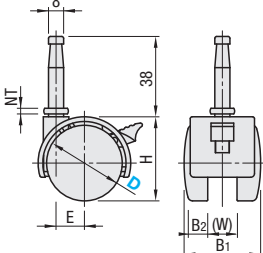


CPNB

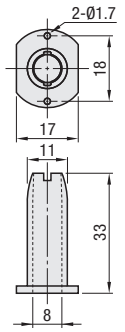




CPNBS



Insert Socket (Included)




Material: Nylon

| Shaft | | Wheel |
|----------|--------------------|------------------|
| M | S | M |
| Material | Surface Treatment | Material (Color) |
| SWCH | Trivalent Chromate | Nylon (Black) |

RoHS10

| Main Body | Part Number Type | D | H | B ₁ | B ₂ | (W) | Mounting Section | | | E | Allowable Load (N) | Mass (g) | Unit Price |
|-----------------------|------------------|----|----|----------------|----------------|-----|------------------|-----|----|-----|--------------------|----------|------------|
| | | | | | | | NT | (r) | | | | | |
| Pin Type | CPNB | 40 | 49 | 41 | 10 | 16 | 3 | 43 | 15 | 200 | 65 | | |
| | | 50 | 60 | 45 | 11 | 18 | 4 | 51 | 18 | 300 | 95 | | |
| Pin Type With Stopper | CPNBS | 40 | 49 | 41 | 10 | 16 | 3 | 47 | 15 | 200 | 70 | | |
| | | 50 | 60 | 45 | 11 | 18 | 4 | 57 | 18 | 300 | 100 | | |

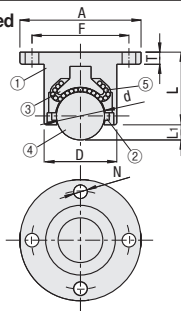
Ordering Example: Part Number
CPNB40



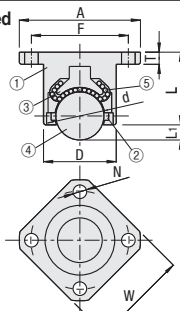
Ball Casters

RoHS10

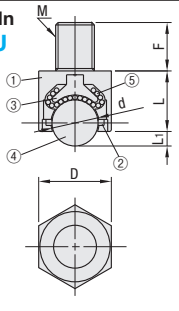
Round Flanged
CHBM



Square Flanged
CHBF



Screw-In
CHBU




| Type | ① Main Body | ② Dust-proof Seal | ③ Strike Plate | ④ Main Ball | ⑤ Sub Ball |
|--------------------|-------------|----------------------------|----------------|-------------|------------|
| | Material | Material | Material | Material | Material |
| CHBM / CHBF / CHBU | S45C | Electroless Nickel Plating | Felt | SCM415 | SUJ2 |
| | | | | 50HRC~ | 55HRC~ |
| | | | | | SUJ2 |
| | | | | | 55HRC~ |

① Can be used balls facing downwards. ② CHBU type must be screwed in all the way to a base.

| Main Body | Part Number Type | No. | D | L | A | W | M | F | N | L ₁ | d | T | Allowable Load (N) | Mass (g) | Unit Price |
|----------------|------------------|-----|----|----|----|----|-----|----|-------|----------------|--------|-----|--------------------|----------|------------|
| | | | | | | | | | | | | | | | |
| 50 | 30 | 28 | 50 | - | - | 40 | 5.5 | 6 | 19.05 | 5 | 1100 | 191 | | | |
| 60 | 38 | 37 | 60 | - | - | 49 | 6.5 | 8 | 25.4 | 6 | 1200 | 386 | | | |
| Square Flanged | CHBF | 40 | 24 | 24 | 40 | 32 | - | 32 | 4.5 | 5 | 15.875 | 4 | 900 | 96 | |
| | | 50 | 30 | 28 | 50 | 40 | - | 40 | 5.5 | 6 | 19.05 | 5 | 1100 | 174 | |
| | | 60 | 38 | 37 | 60 | 48 | - | 49 | 6.5 | 8 | 25.4 | 6 | 1200 | 358 | |
| Screw-In | CHBU | 12 | 24 | 21 | - | - | 12 | 20 | - | 5 | 15.875 | - | 900 | 92 | |
| | | 16 | 30 | 25 | - | - | 16 | 25 | - | 6 | 19.05 | - | 1100 | 175 | |
| | | 20 | 38 | 34 | - | - | 20 | 30 | - | 8 | 25.4 | - | 1200 | 375 | |

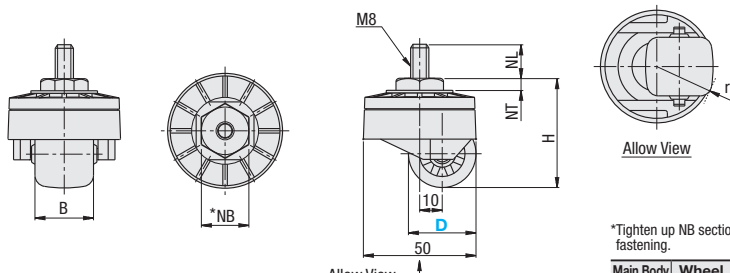
Ordering Example: Part Number
CHBF50



Plastic Casters

RoHS10

CSJM (Swivel)



| Main Body | Wheel | Thread |
|-----------|----------|--------------------|
| Material | Material | Material |
| Nylon | Nylon | S45C |
| | | Trivalent Chromate |

*Tighten up NB section with a wrench for firm fastening.

| Main Body | Part Number Type | D | M | Wheel Material | H | B | Mounting Screw | | | r | Allowable Load (N) | Mass (g) | Unit Price |
|-----------|------------------|----|---|----------------|----|----|----------------|----|----|----|--------------------|----------|------------|
| | | | | | | | NB | NT | NL | | | | |
| Swivel | CSJM | 18 | 8 | N (Nylon) | 34 | 20 | 13 | 3 | 14 | 21 | 300 | 60 | |
| | | 30 | | | | | | | | | | | |

Ordering Example: Part Number - M - Wheel Material
CSJM30 - 8 - N