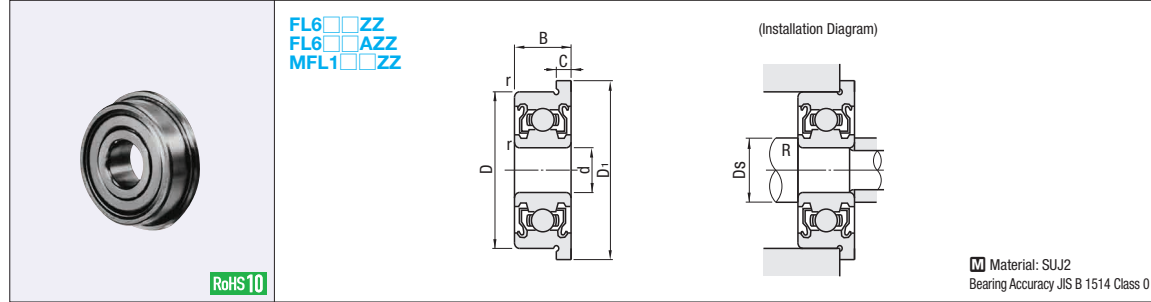


Small Deep Groove Ball Bearings with Flange Double Shielded

C-MISUMI VALUE [Medium Accuracy] Small Deep Groove Ball Bearings with Flange Double Shielded

This product can be used even when heavy load, high rotation speed, and high rotational accuracy are required. See P998 for the C-VALUE Product of this item.



Part Number	d	D	B	D1	C	r (min)	Basic Load Rating		Allowable Rotational Speed rpm (Reference)	Relative Dimensions		Mass (g) (Reference)	Unit Price
							Cr (Dynamic) N	Cor (Static) N		Ds (min)	R (max)		
FL682ZZ	2	5	2.3	6.1	0.6	0.08	169	50	85000	2.7	0.08	0.22	
FL692ZZ	2	6	3.0	7.5	0.8	0.15	330	98	75000	3.0	0.15	0.48	
FL682AZZ	2.5	6	2.6	7.1	0.8	0.15	208	74	71000	3.7	0.08	0.36	
FL692AZZ	2.5	7	3.5	8.5	0.9	0.15	385	127	63000	3.85	0.15	0.68	
FL673ZZ	3	6	2.5	7.2	0.6	0.1	208	74	71000	3.6	0.08	0.33	
FL683ZZ	3	7	3	8.1	0.8	0.1	390	130	63000	3.9	0.1	0.53	
FL693ZZ	3	8	4	9.5	0.9	0.15	560	179	60000	4.2	0.15	0.97	
FL603ZZ	3	9	5	10.5	1	0.15	570	187	56000	4.2	0.15	1.63	
FL623ZZ	3	10	4	11.5	1	0.15	630	218	50000	4.6	0.08	1.86	
FL674ZZ	4	7	2.5	8.2	0.6	0.1	222	88	60000	4.6	0.08	0.35	
FL684ZZ	4	9	4	10.3	1	0.15	640	224	53000	5.0	0.1	1.14	
FL694ZZ	4	11	4	12.5	0.6	0.15	715	276	48000	5.2	0.15	1.96	
FL604ZZ	4	12	5	13.5	1	0.2	957	345	48000	5.6	0.2	2.53	
FL624ZZ	4	13	5	15	1	0.2	1300	485	40000	5.6	0.2	3.53	
FL675ZZ	5	8	2.5	9.2	0.6	0.1	217	91	53000	0.08	0.41	0.41	
FL685ZZ	5	11	5	12.5	0.6	0.15	715	281	45000	6.2	0.15	2.18	
FL695ZZ	5	13	4	15	1	0.2	1080	430	43000	6.6	0.2	2.84	
FL605ZZ	5	14	5	16	1	0.2	1330	505	40000	6.6	0.2	3.85	
FL625ZZ	5	16	5	18	1	0.3	1729	670	36000	7.7	0.3	5.3	
FL676ZZ	6	10	3	11.2	0.6	0.1	465	196	45000	6.6	0.1	0.77	
FL686ZZ	6	13	5	15	1.1	0.15	1080	440	40000	7.0	0.15	3.04	
FL696ZZ	6	15	5	17	1.2	0.2	1350	530	40000	7.6	0.2	4.26	
FL606ZZ	6	17	6	19	1.2	0.3	2190	835	38000	8	0.3	6.61	
FL626ZZ	6	19	6	22	1.5	0.3	2336	885	32000	8	0.3	9.09	
FL678ZZ	8	12	3.5	13.6	0.8	0.1	515	252	40000	8.8	0.1	1.15	
FL688ZZ	8	16	5	18	1.1	0.2	1610	710	36000	9.6	0.2	4.47	
FL698ZZ	8	19	6	22	1.5	0.3	1990	865	36000	10	0.3	8.3	
FL608ZZ	8	22	7	25	1.5	0.3	3350	1400	34000	10	0.3	13	
FL670ZZ	10	15	4	16.5	0.8	0.15	855	435	15000	10.3	0.15	2.1	
FL680ZZ	10	19	5	21	1	0.3	1716	840	37000	12	0.3	6.1	
FL690ZZ	10	22	6	25	1.5	0.3	2695	1273	34000	13.2	0.3	11.1	
FL6701ZZ	12	18	4	19.5	0.8	0.2	926	530	13000	12.4	0.2	3.4	
FL6801ZZ	12	21	5	23	1.1	0.3	1915	1041	33000	14	0.3	7.1	
FL6901ZZ	12	24	6	26.5	1.5	0.3	2886	1466	31000	14	0.3	13.2	
FL6702ZZ	15	21	4	22.5	0.8	0.2	937	582	11000	15.4	0.2	3.9	
FL6802ZZ	15	24	5	26	1.1	0.3	2073	1253	28000	17	0.3	8.3	
FL6902ZZ	15	28	7	30.5	1.5	0.3	4321	2259	26000	17	0.3	19.9	
FL6703ZZ	17	23	4	24.5	0.8	0.2	1000	658	9500	17.4	0.2	4.4	
FL6803ZZ	17	26	5	28	1.1	0.3	2233	1456	26000	19	0.3	8.9	
FL6903ZZ	17	30	7	32.5	1.5	0.3	4588	2565	23000	19	0.3	21.4	
FL6704ZZ	20	27	4	28.5	0.8	0.2	1041	729	8500	20.4	0.2	6.3	
FL6804ZZ	20	32	7	35	1.5	0.3	4015	2462	21000	22	0.3	19.8	
FL6904ZZ	20	37	9	40	2	0.3	6381	3682	19000	22	0.3	42.8	
FL6805ZZ	25	37	7	40	1.5	0.3	4303	2932	18000	27	0.3	26.1	
FL6905ZZ	25	42	9	45	2	0.3	7001	4540	16000	27	0.3	50.2	

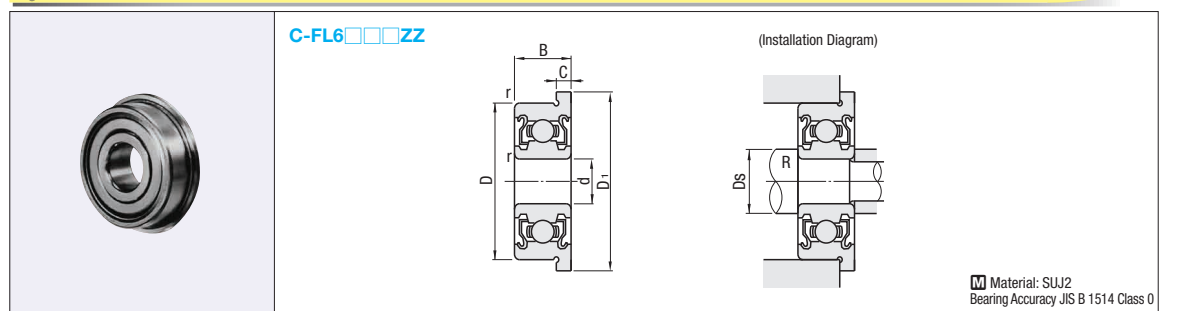
Non-Standard Size

Part Number	d	D	B	D1	C	r (min)	Basic Load Rating		Allowable Rotational Speed rpm (Reference)	Relative Dimensions		Mass (g) (Reference)	Unit Price
							Cr (Dynamic) N	Cor (Static) N		Ds (min)	R (max)		
MFL104ZZ	4	10	4	11.6	0.8	0.15	710	270	48000	5.9	0.15	1.5	
MFL105ZZ	5	12	4	13.6	0.8	0.15	430	168	50000	6	0.15	1.38	
MFL126ZZ	6	14	4	15.6	0.8	0.15	715	292	43000	7.2	0.15	1.86	
MFL148ZZ	8	18	4	19.6	0.8	0.15	817	385	38000	9.26	0.15	2.42	

kgf=Nx0.101972



Similar Products Comparison Points | Products designed for light load, intermediate and low rotation speed, and medium rotational accuracy applications. See P.987 for the description of C-VALUE Products.



Part Number	d	D	B	D1	C	r (min)	C-VALUE Products Check Point ①		Allowable Rotational Speed rpm (Reference)	Relative Dimensions		Mass (g) (Reference)	Unit Price
							Cr (Dynamic) N	Cor (Static) N		Ds (min)	R (max)		
C-FL673ZZ	3	6	2.5	7.2	0.6	0.1	146	52	71000	3.6	0.08	0.33	
C-FL683ZZ	3	7	3	8.1	0.8	0.1	273	91	63000	3.9	0.1	0.53	
C-FL693ZZ	3	8	4	9.5	0.9	0.15	392	125	60000	4.2	0.15	0.97	
C-FL603ZZ	3	9	5	10.5	1	0.15	399	131	56000	4.2	0.15	1.63	
C-FL623ZZ	3	10	4	11.5	1	0.15	441	153	50000	4.6	0.08	1.86	
C-FL674ZZ	4	7	2.5	8.2	0.6	0.1	155	62	60000	4.6	0.08	0.35	
C-FL684ZZ	4	9	4	10.3	1	0.1	448	157	53000	5	0.1	1.14	
C-FL694ZZ	4	11	4	12.5	0.6	0.15	501	193	48000	5.2	0.15	1.96	
C-FL604ZZ	4	12	5	13.5	1	0.2	670	242	48000	5.6	0.2	2.53	
C-FL624ZZ	4	13	5	15	1	0.2	910	340	40000	5.6	0.2	3.53	
C-FL675ZZ	5	8	2.5	9.2	0.6	0.1	152	64	53000	6.2	0.15	0.41	
C-FL685ZZ	5	11	5	12.5	0.6	0.15	501	197	45000	6.6	0.2	2.18	
C-FL695ZZ	5	13	4	15	1	0.2	756	301	43000	6.6	0.2	2.84	
C-FL605ZZ	5	14	5	16	1	0.2	931	354	40000	7.7	0.3	3.85	
C-FL625ZZ	5	16	5	18	1	0.3	1,210	469	36000	7.7	0.3	5.3	
C-FL676ZZ	6	10	3	11.2	0.6	0.1	326	137	45000	6.6	0.1	0.77	
C-FL686ZZ	6	13	5	15	1.1	0.15	756	308	40000	7	0.15	3.04	
C-FL696ZZ	6	15	5	17	1.2	0.2	945	371	40000	7.6	0.2	4.26	
C-FL606ZZ	6	17	6	19	1.2	0.3	1,533	585	38000	8	0.3	6.61	
C-FL626ZZ	6	19	6	22	1.5	0.3	1,635	620	32000	8	0.3	9.09	
C-FL678ZZ	8	12	3.5	13.6	0.8	0.1	361	176	40000	8.8	0.1	1.15	
C-FL688ZZ	8	16	5	18	1.1	0.2	1,127	497	36000	9.6	0.2	4.47	
C-FL698ZZ	8	19	6	22	1.5	0.3	1,393	606	36000	10	0.3	8.3	
C-FL608ZZ	8	22	7	25	1.5	0.3	2,345	980	34000	10	0.3	13	
C-FL670ZZ	10	15	4	16.5	0.8	0.15	599	305	15000	10.3	0.15	2.1	
C-FL680ZZ	10	19	5	21	1	0.3	1,201	588	37000	12	0.3	6.1	
C-FL690ZZ	10	22	6	25	1.5	0.3	1,887	891	34000	13.2	0.3	11.1	
C-FL6701ZZ	12	18	4	19.5	0.8	0.2	648	371	13000	12.4	0.2	3.4	
C-FL6801ZZ	12	21	5	23	1.1	0.3	1,341	729	33000	14	0.3	7.1	
C-FL6901ZZ	12	24	6	26.5	1.5	0.3	2,020	1,026	31000	14	0.3	13.2	
C-FL6802ZZ	15	24	5	26	1.1	0.3	1,451	877	28000	17	0.3	8.3	
C-FL6902ZZ	15	28	7	30.5	1.5	0.3	3,025	1,581	26000	17	0.3	19.9	
C-FL6703ZZ	17	23	4	24.5	0.8	0.2	700	461	9500	17.4	0.2	4.4	
C-FL6803ZZ	17	26	5	28	1.1	0.3	1,563	1,019	26000	19	0.3	8.9	
C-FL6903ZZ	17	30	7	32.5	1.5	0.3	3,212	1,796	23000	19	0.3	21.4	
C-FL6804ZZ	20	32	7	35	1.5	0.3	2,811	1,723	21000	22	0.3	19.8	
C-FL6904ZZ	20	37	9	40	2	0.3	4,467	2,577	19000	22	0.3	42.8	
C-FL6805ZZ	25	37	7	40	1.5	0.3	3,012	2,052	18000	27	0.3	26.1	
C-FL6905ZZ	25	42	9	45	2	0.3	4,901	3,178	16000	27	0.3	50.2	

C-VALUE Products Check Point ②

I.D. d (mm)	Clearance of MISUMI Similar Products (μm)	Clearance of C-VALUE Products (μm)	
		Min.	Max.
over 10 only	2	13	18
10	3	18	23
18	5	20	25
24	5	20	25

Precautions for Use of C-VALUE Products

This product is C-VALUE Product. For detailed description of C-VALUE Products, See P.987. For similar products of this product, see the left page.

- This is a product designed exclusively for light load, intermediate and low rotation speeds, and medium rotational accuracy applications.
- Be sure to read the C-VALUE Products Check Point ① and ② before using this product. The internal clearance and the load rating of this product are different from that of normal similar products.
- Do not use in areas with heavy load, high speed, or that requires high rotational accuracy.

