


Bearings with Housings

Front Mount

■ Features: For limited installation spaces.

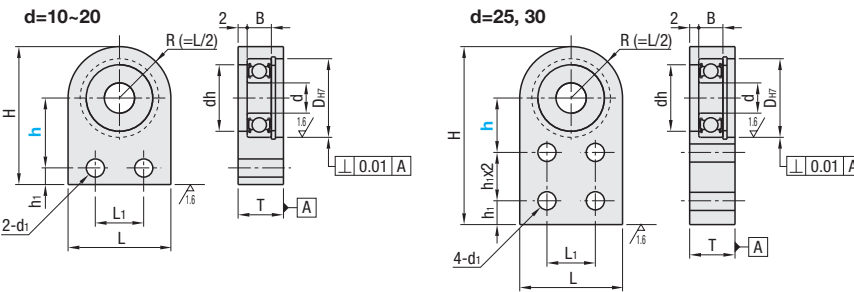


Type	Material		Surface Treatment	Accessory Retaining Ring
	Bearing	Housing	Housing	
BGSMAB BGSMA	Steel	S45C Equivalent	Black Oxide Electroless Nickel Plating	Spring Steel SUS304
SBGSMA	Stainless Steel	SUS304 Equivalent	-	SUS304

Bearing Accuracy: JIS B 1514 Class 0

6.3 / (1.6 /)

* Bearings with Rubber Seals (VV and DD) are all made of steel.



Part Number	Type	Bearing No.	Seal	h Selection	d	DH7	Tolerance	dh	B	H	h ₁	L	L ₁	T	d ₁	Unit Price																				
																BGSMAB	BGSMA	SBGSMA																		
6900	BGSMAB BGSMA SBGSMA	6000	ZZ Double Shielded (x1.0)	20 25 30	10	22	+0.021 0	19	6	h+24	7	34	14	12	6																					
6200																																				
6901																																				
6001																																				
6201																																				
6902																																				
6002				25 30 35	12	+0.025 0	24	8	h+25	36	15	16	15	10	16	16	16																			
6204																																				
6905																																				
6005																																				
6202																		25 30 40	15	+0.021 0	28	9	h+29	40	12	8	9	40	18	15	10	8				
6204																																				
6904																																				
6004				35 45 55	20	+0.025 0	34	9	h+36	50	15	10	11	50	22	19	10																10			
6204																																				
6905																																				
6005																																				
6202																		40 45 55	30	+0.030 0	42	12	h+39	56	15	12	13	56	26	16	12	12				
6204																																				
6906																																				
6006																																				
6204																																				
6906																																				

⚠ The price of sealed VV and DD are the price shown in the table multiplied by 1.1.

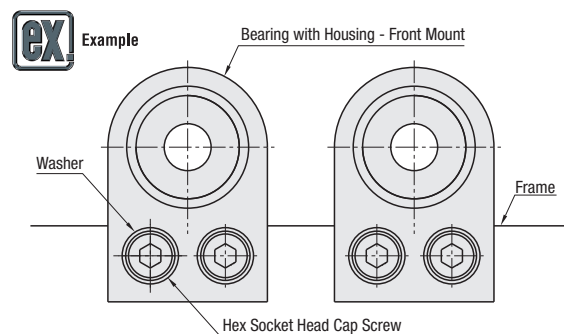
Ordering Example

Part Number	Type	Bearing	Seal	h
BGSMA 6000	VV	-	20	
BGSMAB 6204	ZZ	-	35	

Alterations

Part Number	h	(NA)
BGSMA6000ZZ	20	NA


Alteration Code	Bearings, Retaining Rings Not Assembled
NA	
Spec.	Bearings and retaining rings are shipped unassembled to the housing.



Bearings with Housings

Front Mount, Shouldered

■ Features: Improved installation height accuracy with built-in shoulders.

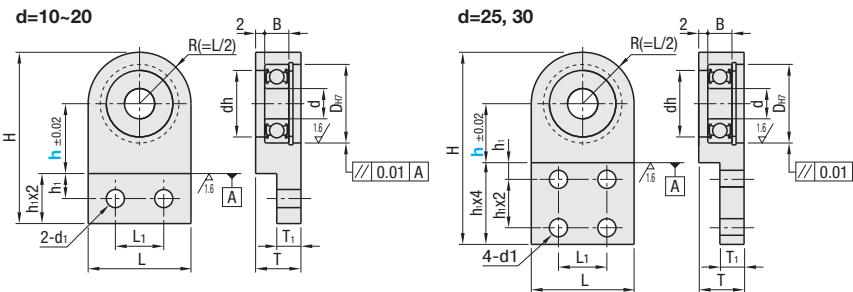


Type	Material		Surface Treatment	Accessory Retaining Ring
	Bearing	Housing	Housing	
BGSNAB BGSNA	Steel	S45C Equivalent	Black Oxide Electroless Nickel Plating	Spring Steel SUS304
SBGSNA	Stainless Steel	SUS304	-	SUS304

Bearing Accuracy: JIS B 1514 Class 0

6.3 / (1.6 /)

* Bearings with Rubber Seals (VV and DD) are all made of steel.



Part Number	Type	Bearing No.	Seal	h Selection	d	DH7	Tolerance	dh	B	H	h ₁	L	L ₁	T	T ₁	d ₁	Unit Price																					
																	BGSNAB	BGSNA	SBGSNA																			
6900	BGSNAB BGSNA SBGSNA	6000	ZZ Double Shielded (x1.0)	20 25 30	10	22	+0.021 0	19	6	h+31	7	34	14	12	8	6																						
6200																																						
6901																																						
6001																	25 30 35	12	+0.025 0	24	8	h+30	36	15	10	15	10	16	11	11	11							
6201																																						
6902																																						
6002				25 30 40	15	+0.021 0	28	9	h+38	40	12	8	9	40	18	15																10	8	8				
6202																																						
6904																																						
6004																	30 40 50	20	+0.025 0	34	9	h+47	50	15	10	11	50	22	19	13	10				10			
6204																																						
6905																																						
6005				40 45 50	30	+0.030 0	42	12	h+50	56	15	10	13	56	26	19																13	12	12				
6204																																						
6906																																						
6006																																						
6204																																						
6906																																						

⚠ The price of sealed VV and DD are the price shown in the table multiplied by 1.1.

Ordering Example

Part Number	Type	Bearing	Seal	h
BGSNA 6200	VV	-	30	
BGSNAB 6000	ZZ	-	30	

Alterations

Part Number	h	(NA)
BGSNA6000ZZ	25	NA

Alteration Code	Bearings, Retaining Rings Not Assembled
NA	
Spec.	Bearings and retaining rings are shipped unassembled to the housing.

