



# Bearings with Housings

## T-Shaped

■ Features: Suitable when lengthwise space is limited.


Type	Material	Surface Treatment	Accessory
h Selectable	Steel	Black Oxide	Spring Steel
h Configurable	Aluminum Alloy	Electroless Nickel Plating	SUS304
h Configurable, C Chamfered	Stainless Steel	Clear Anodize	Equivalent

Material: S45C Equivalent, Aluminum Alloy, SUS304 Equivalent  
 Surface Treatment: Black Oxide, Electroless Nickel Plating, Clear Anodize  
 Accessory: Spring Steel, SUS304 Equivalent


Bearing Accuracy: JIS B 1514 Class 0

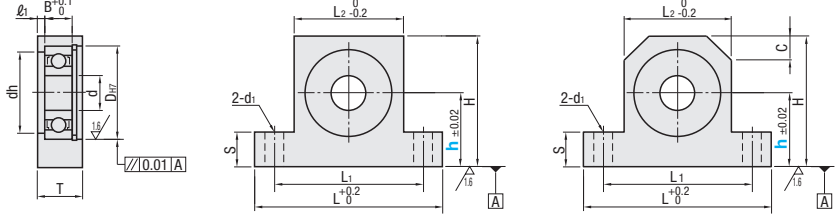
⚠ Bearings with Rubber Sealed (VV and DD) are all made of steel.

**Not C Chamfered**



**C Chamfered**





C chamfer is done on the both top edges (45°)

Type	Part Number	Seal	h		d	D <sub>H7</sub>	Tolerance	dh	B	ℓ <sub>1</sub>	H	L	L <sub>1</sub>	L <sub>2</sub>	T	S	C	d <sub>1</sub>																							
			Selectable	Configurable 1mm Increment																																					
h Selectable	623	ZZ	15	20 25	3	10	+0.015 0	7	4	2	h+9	36	26	16	10	5	5	4.5																							
	624		20 25 30	4	13	5	+0.018 0	9	5		h+11	38	28	18																											
	605			5	14	6	10	5	h+12		40	30	20																												
	625			6	16	7	12	6	h+13		46	34	22																												
	606			6	17	8	13	6	h+14		47	35	23																												
	626			6	19	9	15	6	h+14		49	37	25																												
	698			8	19	10	16	6	h+14		49	37	25																												
	608			8	22	11	18	7	h+15		53	41	29																												
	628			8	24	12	20	8	h+16		56	44	32																												
	6800			10	19	13	16	5	h+14		50	38	26																												
h Configurable	6900	*VV		30 40 50	15-40	10	22	+0.021 0	19	6	2	h+15	53	41	29	12	10	5	5.5																						
	6000		26																	8	h+17	58	46	34																	
	6200		30																	9	h+19	62	50	38																	
	6801		21																	5	h+15	53	41	29																	
	6901		24																	6	h+16	56	44	32																	
	6001		28																	8	h+18	60	48	36																	
	6201		32																	10	h+20	64	52	40																	
	h Configurable C Chamfer		6802																	*DD	30 40 50	20-50	15	24	+0.021 0	21	5	2	h+16	56	44	32	10	10	6.5						
			6902																																	28	7	h+18	60	48	36
			6002																																	32	9	h+20	68	54	40
6202		35	11	h+22	72	58	44																																		
6903		30	7	h+19	64	52	38																																		
6003		35	10	h+22	70	56	43																																		
6203		40	12	h+24	76	62	49																																		
h Configurable C Chamfer		6804	*VV	40 50 60	30-60	20	32	+0.025 0	29	7	2	h+20	68	53.5	40	15	15	9																							
		6904																	37																	9	h+23	73	59	45	
		6004																	42																	12	h+25	82	66	50	
	6204	47																	14	h+28	88	72	56																		
	6805	37																	7	h+23	82	64	46																		
	6905	42																	9	h+25	91	69	51																		
	6005	47																	12	h+28	96	76	56																		
	6205	52																	15	h+31	102	82	62																		
	h Configurable C Chamfer	6806																	*DD	40 50 80	40-80	30	42	+0.025 0	39	7	2	h+25	91	71	51	14	20	12	11						
		6906																																		47	9	h+28	96	76	56
6006		55	13	h+32	104	84	64																																		
6206		62	16	h+36	112	92	72																																		
6007		62	14	h+36	112	92	72																																		
6207		72	17	h+44	148	118	88																																		
6008		68	15	h+41	122	102	82																																		
6208		80	18	h+50	160	130	100																																		

⚠ Check for available sizes in the price list. ⚠ \* No. 623, 624, 605 and 606 are not available for VV (Non-contact Sealed).  
 ⚠ For details of Bearing Standards, see P989, 991, 993-996, 1003 and 1004.

Ordering Example

Type	Bearing	Seal	h
BGHK	6000	ZZ	30
BGHF	6901	VV	23

Bearing No.	Seal	Unit Price														
		h Selectable					h Configurable					h Configurable, C Chamfered				
		BGHKB	BGHK	BGHKA	BGHKSA	BGHKS	BGHFB	BGHF	BGHFA	BGHFSA	BGHFS	BGHFB-C	BGHF-C	BGHFA-C	BGHFSA-C	BGHFS-C
623																
624																
605																
625																
606																
626																
698																
608																
628																
6800																
6900																
6000																
6200																
6801																
6901																
6001																
6201	ZZ															
6802	Double Shielded (x1.0)															
6902	*VV															
6002	Non-Contact Sealed Rubber Seal (x1.1)															
6202																
6903	DD															
6003	Contact Sealed Rubber Seal (x1.1)															
6203																
6804																
6904																
6004																
6204																
6805																
6905																
6005																
6205																
6806																
6906																
6006																
6206																
6007																
6207																
6008																
6208																

⚠ The price of sealed VV and DD are the price shown in the table multiplied by 1.1.

Alterations  Part Number - h - (NA, KCC)  
 BGHK6000ZZ - 30 - NA

Alterations	Bearings, Retaining Rings Not Assembled	C2 Chamfer
Code	NA	KCC
Spec.	Bearings and retaining rings are shipped unassembled to the housing.	C2 chamfer is done on the top edge surface. ⚠ Not applicable to C Chamfered Type.