

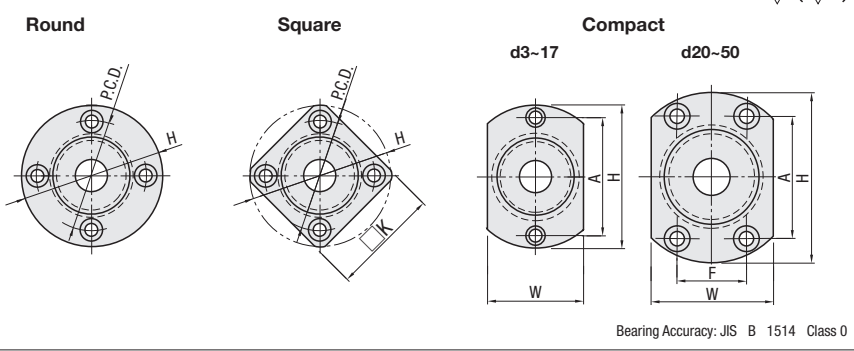
Bearings with Housings

Double Bearings, Non-Retained, L Selectable



Type			Material		Surface Treatment	
Round	Square	Compact	Bearing	Housing	Bearing	Housing
BGRCB	BGSCB	BGCCB	Steel	S45C	Black Oxide	
BGRC	BGSC	BGCC		Equivalent	Electroless Nickel Plating	
BARC	BASC	BACC		2000series	Clear Anodize	
SBARC	SBASC	SBACC	Stainless Steel	Aluminum Alloy	-	
SBGRC	SBGSC	SBGCC		SUS304	-	

* Bearings with Rubber Seals (VV and DD) are all made of steel.



Type	Part Number	Seal	L Selection	d	DH7	Tolerance	B	H	W	T	dh	D1 _{g7}	Tolerance	P.C.D.	K	A	F	d ₁	d ₂	H ₁
(Round) BGRCB BGRC BARC SBARC SBGRC	623	ZZ Double Shielded	20 30	3	10	+0.015 0	4	33	16	7	7	14	-0.006	24	27	24		6.5	3.5	3.1
	624		20 30	4	13		5	35	18		9	17	-0.024	26	28	26				
	605		20 30	5	14	+0.018 0	5	36	20		10	18		26	30	26				
	625		25 30	5	16		5	38	22		12	20	-0.007	28	31	28				
	606		20 35	6	17		6	39	23		13	21	-0.028	29	32	29				
	626		25 35	6	19	+0.021 0	6	41	25		15	24	-0.006 -0.024	31	34	31				
	678		20 30	8	12	+0.018 0	3.5	34	18		10	16	-0.007	25	27	25				
	698		25 35	8	19		6	41	25		15	24	-0.028	31	34	31				
	608		25 35	8	22	+0.021 0	7	45	29		18	27	-0.007	35	36	35				
	628		25 35	8	24		8	47	32		20	30	-0.028	37	37	37				
6700	20 30	8	15	+0.018 0	4	37	22		12	19	-0.007	27	30	27						
6800	20 30	8	19		5	41	25		15	24	-0.009	31	34	31						
6900	25 40	10	22	+0.021 0	6	45	29		19	27	-0.034	35	36	35						
6000	25 40	10	26		8	50	34		22	32	-0.009	40	39	40						
6200	30 40	10	30		9	54	38		24	36	-0.034	44	42	44						
6701	20 30	10	18	+0.018 0	4	40	25		15	23	-0.007	30	31	30						
6801	25 35	10	21		5	44	29		17	26	-0.028	34	35	34						
6901	25 40	10	24	+0.021 0	6	48	31		21	30	-0.009	38	38	38						
6001	25 40	10	28		8	52	36		24	34	-0.034	42	40	42						
6201	30 40	10	32	+0.025 0	10	56	40		26	38	-0.007	46	43	46						
6702	25 35	10	21		4	44	29		18	26	-0.028	34	35	34						
6802	25 35	10	24	+0.021 0	5	47	32		20	30	-0.009	37	37	37						
6902	25 50	15	28		7	57	37		25	35	-0.034	45	45	45						
6002	30 50	15	32	+0.025 0	9	60	40		28	38	-0.009	48	46	48						
6202	35 50	15	35		11	64	44		29	42	-0.034	52	49	52						
6803	30 40	15	26	+0.021 0	5	50	34		22	32	-0.009	40	39	40						
6903	30 40	15	30		7	60	38		27	36	-0.034	48	46	48						
6003	35 50	15	35	+0.025 0	10	66	44		31	42	-0.009	54	50	54						
6203	40 50	15	40		12	72	50		34	48	-0.034	60	54	60						
6704	30 40	15	27	+0.021 0	4	51	35		23	33	-0.010	41	39	41	25	8	4.5	4.1		
6804	35 50	15	32		7	60	40		28	38	-0.040	48	46	48						
6904	35 50	15	37	+0.025 0	9	69	47		34	45	-0.009	56	54	51	24					
6004	40 50	15	42		12	77	54		36	50	-0.034	64	59	64						
6204	45 50	15	47	+0.025 0	14	81	58		40	54	-0.010	72	67	72	25	8	4.5	4.1		
6805	35 50	15	37		7	69	47		34	45	-0.040	56	54	51	24					
6905	35 50	15	42	+0.030 0	9	77	54		36	50	-0.034	64	59	64						
6005	40 60	15	47		12	88	58		41	54	-0.034	72	67	72	25	8	4.5	4.1		
6205	45 60	15	52		15	94	64		45	60	-0.010	84	78	84	29	9.5	5.5	5.1		
6806	35 50	15	42	+0.025 0	7	77	54		36	50	-0.034	64	59	64						
6906	35 50	15	47		9	88	58		41	54	-0.034	72	67	72	25	8	4.5	4.1		
6006	40 60	15	55		13	96	66		48	62	-0.010	80	73	80	40					
6206	50 60	15	62	+0.030 0	16	104	74		55	70	-0.040	88	79	88	44					
6007	50 60	15	62		14	104	74		55	70	-0.040	88	79	88	44					
6207	60 80	15	72		17	126	88		64	84	-0.010	105	95	105	51	17.5	11	11		
6008	60 70	15	68		15	114	82		60	78	-0.040	96	86	96	54	14	9	8.1		
6208	60 80	15	80		18	134	96		74	92	-0.010	113	102	113	56					
6010	70	15	80		16	134	96		74	92	-0.012	113	-	98	56	17.5	11	11		
6210	90	15	90	+0.035 0	20	147	110		83	106	-0.047	126	-	104	72					

*1 No. 623, 624, 605, 606 and numbers starting with 67 are not available for VV (Non-contact Sealed).
 *2 Bearings with Rubber Seals are all made of steel.

Ordering Example

Part Number: BGCC 6200 VV - 30

Part Number: BGRC 6202 ZZ - 35

Bearing No.	Seal	Unit Price														
		Round			Square			Compact								
		BGRCB	BGRC	BARC	SBARC	SBGRC	BGSCB	BGSC	BASC	SBASC	SBGSC	BGCCB	BGCC	BACC	SBACC	SBGCC
623																
624																
605																
625																
606																
626																
678																
698																
608																
628																
6700																
6800																
6900																
6000																
6200																
6701																
6801																
6901																
6001																
6201																
6702	ZZ															
6802	(x1.0)															
6902																
6002	VV															
6202	(x1.1)															
6803																
6903	DD															
6003	(x1.1)															
6203																
6704																
6804																
6904																
6004																
6204																
6805																
6905																
6005																
6205																
6806																
6906																
6006																
6206																
6007																
6207																
6008					</											