

Round Bearings with Housings - Overview

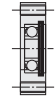
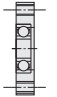




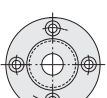
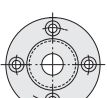
Bearings with Housings

Space Saving, Small Flanged

Features of Round Bearings with Housings

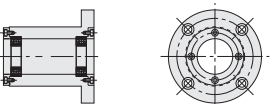
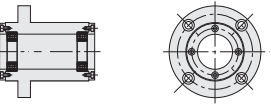
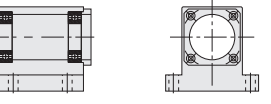
- Compared with Cast Iron, Pillow Blocks (P. 1027 to 1028), it is more suitable for areas requiring high precision in rotation.

Types of Bearings with Housings

Shape	Basic Shape	Retaining Ring	Features	Retained	No Retaining Ring	
						
		Intended Purposes		Prevents the bearings from falling off, and easy to handle	Thinner shape compared to the product with a retaining ring	
Single (No. of Bearings inserted: 1 pc.)	Standard			Small Flanged	P.930	P.930
				Standard	P.931	P.935
				Thrust Bearings	-	P.937
				Low Dust Generation	P.957	P.957
Double (No. of Bearings inserted: 2 pcs.)	Pilot			Standard	P.933	-
				Low Dust Generation	P.957	-
				Standard	P.938	-
				Low Dust Generation	P.958	P.958
Double (No. of Bearings inserted: 2 pcs.)	Standard			Standard	P.939 (L Selectable) P.941 (L Configurable)	P.943 (L Selectable) P.945 (L Configurable)
				Low Dust Generation	P.958	P.958
				Standard	P.947 (L Selectable) P.949 (L Configurable)	P.951 (L Selectable) P.953 (L Configurable)
				Long	-	P.955

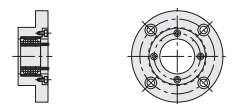
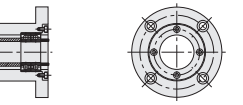
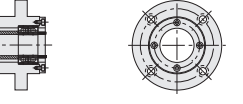
Selection List for Outer Ring Captured Bearings with Housings

Suitable for relatively high-loading uses such as heavy load / high-speed applications.

Shape	Shape	Page
Double		P.978
Double Pilot		P.979
T-Shaped Double		P.980

Selection List of Angular Contact Bearings with Housings

Suitable for heavy load applications with thrust loads.

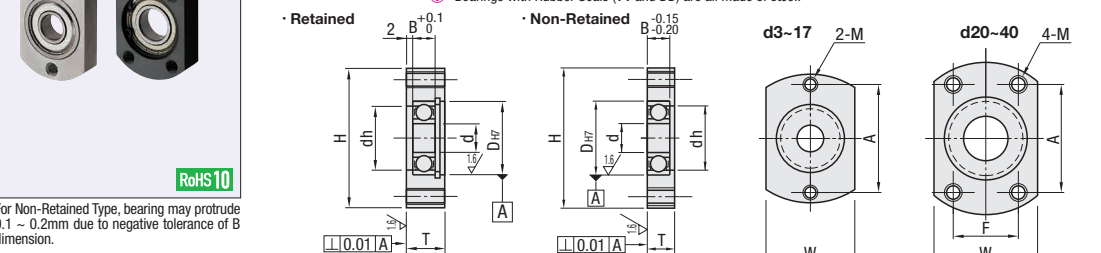
Shape	Shape	Page
Short Double		P.982
Double		P.983
Double Pilot		P.985

Features: By changing the conventional counterbored holes to tapped holes, this product has 4 to 13mm smaller flange dimensions which makes it suitable for use in limited spaces.

Type		Material		Surface Treatment	
Retained	Non-Retained	Bearing	Housing	Housing	
BGTAB	BGTNB	Steel	S45C	Black Oxide	
BGTCA	BGTN		Equivalent	Electroless Nickel Plating	
SBGTA	SBGTN		* Stainless Steel	SUS304	

Bearing Accuracy: JIS B 1514 Class 0

* Bearings with Rubber Seals (VV and DD) are all made of steel.



Retained: $B^{+0.1}_0$, d_{H7} , d , D_{hr} , H , dH , I , A , W , F , M

Non-Retained: $B^{-0.15}_{-0.20}$, d_{H7} , d , D_{hr} , H , dH , I , A , W , F , M

Flange diameters: $d3-17$ (2-M), $d20-40$ (4-M)

Type	Part Number		Seal	d	D _{H7}	Tolerance	B	H	W	T		dh	A	F	M (Coarse)
	Retained	Non-Retained								Retained	Non-Retained				
Retained BGTAB BGTCA SBGTA	623	624	ZZ Double Shielded	3	10	+0.015	4	25	13	9	6	7	18	M4	
	625	626		5	28	15	10	7	9	21					
	627	628		5	32	17	10	7	10	23					
	629	630		5	34	19	10	7	12	25					
	631	632		6	35	20	11	8	13	26					
	633	634		6	37	22	11	8	15	28					
	635	636		7	40	26	12	9	18	31					
	637	638		8	42	29	13	10	20	33					
	639	640		6	40	26	11	8	19	31					
	641	642		8	44	31	13	10	22	35					
	643	644		9	48	35	14	11	24	39					
	645	646		6	42	28	11	8	21	33					
Non-Retained BGTNB BGTN SBGTN	600	601	*1 VV Non-Contact Sealed Rubber Seal	12	28	-0.021	8	46	33	13	10	24	37	M5	
	602	603		10	50	37	15	12	26	41					
	604	605		7	49	34	12	9	25	39					
	606	607		9	53	37	14	11	28	43					
	608	609		35	0	11	56	41	17	13	29	46	M6		
	610	611		30	0	7	51	35	12	9	27	41			
	612	613		10	56	41	16	12	31	46					
	614	615		12	61	47	18	14	34	51					
	616	617		9	64	44	15	11	34	45	24				
	618	619		12	69	51	18	14	36	46	32				
	620	621		14	74	55	20	16	40	50	34				
	622	623		12	80	55	18	14	41	52	36				
624	625	15	85	61	22	17	45	56	39						
626	627	13	88	63	20	15	48	59	40						
628	629	16	95	71	23	18	55	65	44						
630	631	14	95	71	21	16	55	65	44						
632	633	15	101	79	23	17	60	65	54						

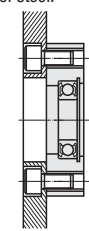
* Check for available sizes in the price list.

*1 No. 623, 624, 605 and 606 are not available for VV (Non-contact Sealed).

*2 Bearings with Rubber Seals are all made of steel.



Part Number		
Type	Bearing	Seal
BGTAB	6000	ZZ
BGTCA	6902	VV
BGTN	606	DD



Alterations		Part Number - (NA)
Alteration	Bearings, Retaining Rings Not Assembled	BGTAB6000ZZ - NA
Code	NA	
Spec.	Bearings and retaining rings are shipped unassembled to the housing.	

Bearing No.	Seal	Unit Price					
		BGTAB	BGTCA	SBGTA	BGTNB	BGTN	SBGTN
623	-	-	-	-	-	-	
624	-	-	-	-	-	-	
605	-	-	-	-	-	-	
625	ZZ	-	-	-	-	-	
606	(x1.0)	-	-	-	-	-	
626	-	-	-	-	-	-	
628	VV	-	-	-	-	-	
6900	(x1.1)	-	-	-	-	-	
6000	-	-	-	-	-	-	
6200	DD	-	-	-	-	-	
6901	(x1.1)	-	-	-	-	-	
6001	-	-	-	-	-	-	
6201	-	-	-	-	-	-	
6902	-	-	-	-	-	-	

Bearing No.	Seal	Unit Price					
		BGTAB	BGTCA	SBGTA	BGTNB	BGTN	SBGTN
6002	-	-	-	-	-	-	
6202	-	-	-	-	-	-	
6903	ZZ	-	-	-	-	-	
6003	(x1.0)	-	-	-	-	-	
6203	-	-	-	-	-	-	
6904	VV	-	-	-	-	-	
6004	(x1.1)	-	-	-	-	-	
6204	-	-	-	-	-	-	
6005	-	-	-	-	-	-	
6205	DD	-	-	-	-	-	
6006	(x1.1)	-	-	-	-	-	
6206	-	-	-	-	-	-	
6007	-	-	-	-	-	-	
6008	-	-	-	-	-	-	

* The price of sealed VV and DD are the price shown in the table multiplied by 1.1.