
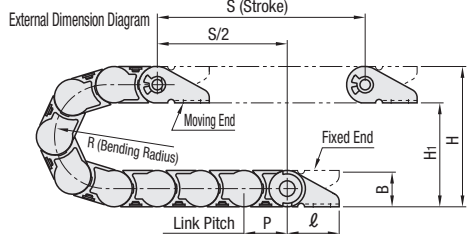
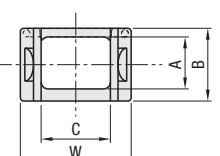


Low Friction, Low Noise Type

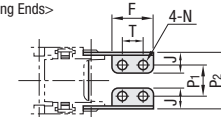
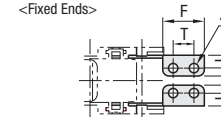
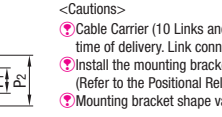


Type	Main Body		Mounting Bracket	
	M	Material	M	Surface Treatment
Cable Carrier + Mounting Bracket	MPSPS	Nylon 6 + Glass Fiber 30% (Operating Temperature -10 ~ 80°C) Flammability Standard UL94-HB Equivalent	SPCC	Trivalent Bright Chromate Plating

RoHS10

The above is a drawing of Cable Carrier assembled with 10 links and mounting brackets.

<Moving Ends>   

<Cautions>
 ① Cable Carrier (10 Links and 1 Link) and mounting brackets are not assembled together at the time of delivery. Link connection and brackets assembly are required for use.
 ② Install the mounting bracket fixed end on the lower side, and moving end on the upper side. (Refer to the Positional Relationship in External Dimension Diagram)
 ③ Mounting bracket shape varies depending on size.

Part Number	Bending Radius Selection	Number of Links	Mounting Direction	Cable Carrier Dimensions										Mounting Dimensions		H (Mounting Height)	H1	HF (Required Physical Height)	K (Arc + Margin)	Weight per Meter (kg) (Reference)	
				A	B	C	W	P	ℓ	F	T	J	N	P1	P2						
MPSPS (Cable Carrier + Mounting Brackets)	1520	30	7~55	S (Common to Mounting on the Outer and Inner Circumferences)	15	21	20	32	25	30	20	10	10	4.5	15(12)	27.2(24.4)	81	60	100	154.2	0.36
	2035	45	7~45		20	26	35	47	32	35	26	14	15	7	27(26)	44(43)	121	100	140	217	
	2550	50	8~51		25	35	50	65	36	55	40	24	20	7	40(35.4)	60.6(56)	135	100	160	257	0.86
	2550	75	10~53		25	35	50	65	36	55							235	200	260	414	
	2585	60	8~49		25	35	85	100	43.5	55	75(70.4)	95.6(91)	185	150	210	335.5	155	120	180	288.4	1.05
	2585	75	9~50		25	35	85	100	43.5	55							235	200	260	414	
3580	100	11~52	25	35	85	100	43.5	55	70(65)	93.6(88)	250	200	280	440	250	200	280	440	1.76		
3580	150	10~45	35	50	80	101	62.5	65							350	300	380	597			

() indicates Fixed End dimensions.

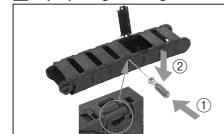
Part Number	Bending Radius Selection	Number of Links	Mounting Direction	Unit Price		
				Cable Carrier + Mounting Bracket (One Link Unit Price x Number of Links) + Mounting Bracket Price		
MPSPS (Cable Carrier + Mounting Brackets)	1520	30	7~55	S (Common to Mounting on the Outer and Inner Circumferences)		
	2035	45	7~45			
	2550	50	8~51			
	2550	75	10~53			
	2585	60	8~49			
	2585	75	9~50			
3580	100	11~52				
3580	150	10~45				

<Cautions on Model Selection>

① A Cable Carrier and suitable Mounting Brackets (Moving Ends x1 set, Fixed Ends x1 set) are in a set.

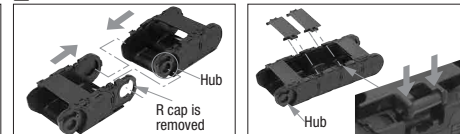
Ordering Example: Part Number - Bending Radius - Number of Links - Mounting Direction
 MPSPS3580 - 100 - 18 - S

Flap Opening / Closing




To open the flap, insert a flathead screwdriver into the side window and pry. To close the flap, push it down.

Link Connection



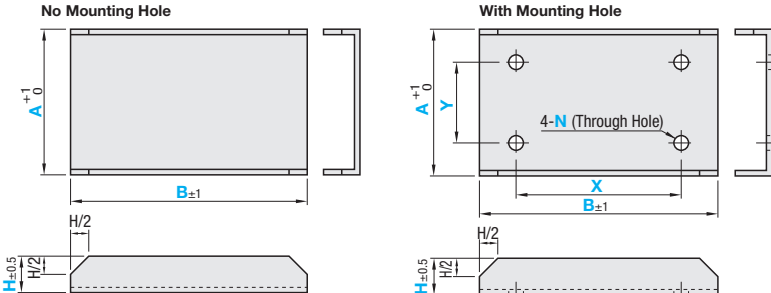
Open flaps and remove the R cap of the connecting links. Insert the hub side first, then push the entire links from both sides. Confirm the hub connection, place back the removed R cap to fit the groove on the cable carrier, and restore flaps.

Cable Carrier Supporter Channels



Type	Mounting Hole	Material	Plate Thickness (mm)	Surface Treatment
CBC	Not	SECC	1.6	Electrolytic Zinc Plating
CBCS	Provided	SUS430	1.5	-
CBCH	Provided	SECC	1.6	Electrolytic Zinc Plating
CBCSH	Provided	SUS430	1.5	-

<Machining Conditions>
 4+N ≤ Y ≤ A - (14+N)
 4+N ≤ X ≤ B - (10+N)



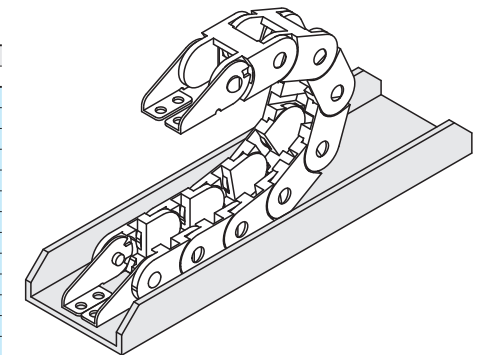
RoHS10

Part Number	Type	A Selection	B 5mm Increment	H	X		Y		N Selectable (Hole Dia.)
					1mm Increment	1mm Increment			
CBC CBCS CBCH CBCSH		40	200~1000	10	10~984		10~20	6	7 9 11
		50							
		60							
		70							
		80							
		90							
	120								

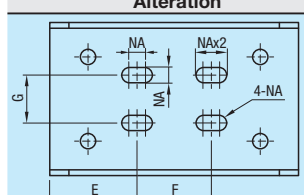
Ordering Example: Part Number - A - B - H - X - Y - N
 CBCH - A70 - B800 - H10 - X700 - Y30 - N11

EX Example

A	B	Unit Price			
		CBC	CBCS	CBCH	CBCSH
40	200~395				
	400~695				
	700~1000				
50	200~395				
	400~695				
	700~1000				
60	200~395				
	400~695				
	700~1000				
70	200~395				
	400~695				
	700~1000				
80	200~395				
	400~695				
	700~1000				
90	200~395				
	400~695				
	700~1000				
120	200~395				
	400~695				
	700~1000				



Alterations: Part Number - A - B - H - X - Y - N - (TC)
 CBCH - A70 - B800 - H10 - X700 - Y30 - N11 - TC - E70 - F30 - G30 - NA5

Alteration	Code	Spec.
	TC	Applicable to With Mounting Hole Type. Adds cable carrier mounting holes. Specify E, F and G in 1mm increment. Select NA from 5, 6 or 7. (Ordering Code) TC-E30-F30-G40-NA5 <Machining Conditions> 4+NA ≤ G ≤ A - (14+NA) 4+NAx2 ≤ F ≤ B - (10+NAx2) 4+NA ≤ E ≤ B - (F+4+NA)