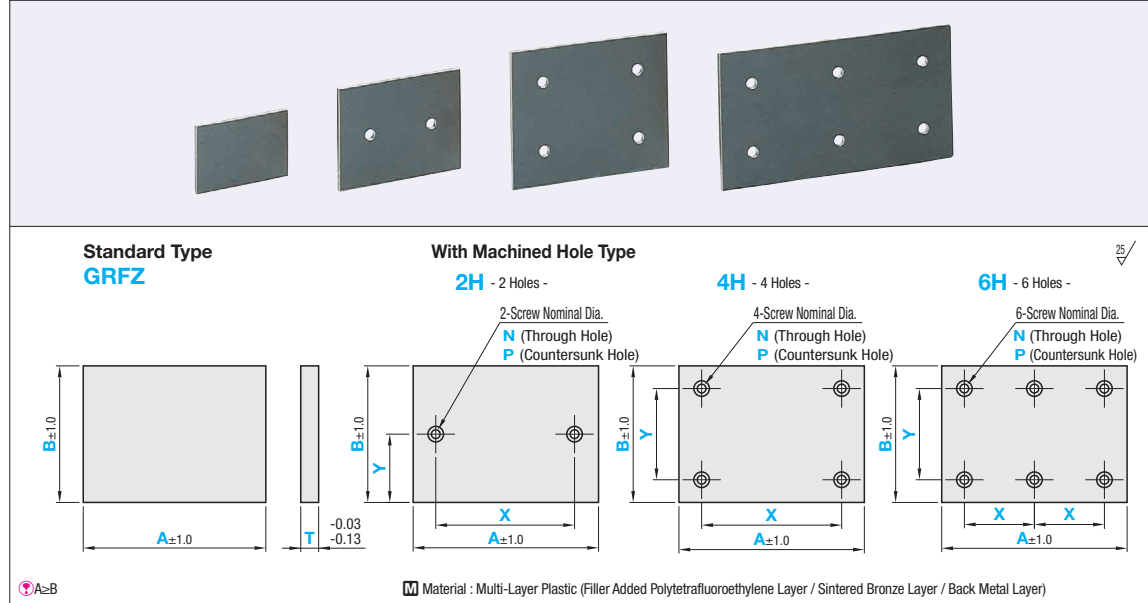


Oil Free Slide Plates

Multi-Layer Plastic, Configurable

■ **Features:** Suitable for space saving since the plate is thin.
 ☉ For material characteristic values, refer to **P.380**.

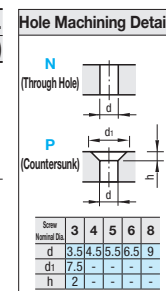


■ **Standard Type**

Part Number	1mm Increment	T	
Type	A	B	Selection
GRFZ	40~50	40~80	1
	40~50	40~100	2.5

■ **With Machined Hole Type**

Part Number	1mm Increment	T	1mm Increment		Screw Nominal Dia.		
			X	Y			
Type	Nominal	A	B	Selection	N (Through)	P (Countersunk)	
GRFZ	2H	40~50	40~80	1	9~491 (2H or 4H Type)	5~95 (2H Type)	3 4 5 6 8
	4H	40~50	40~100	2.5	9~245 (6H Type)	9~90 (4H or 6H Type)	3
	6H	40~50	40~100	2.5			



☉ Dimension X Specification Range: For 2H or 4H type, it requires $d(d1)+5 \leq X \leq A-d(d1)-5$; for 6H type, $d(d1)+5 \leq X \leq A/2-d(d1)/2-2.5$.
 ☉ Dimension Y Specification Range: For 2H type, it requires $d(d1)/2+2.5 \leq Y \leq B-d(d1)/2-2.5$; for 4H or 6H type, $d(d1)+5 \leq Y \leq B-d(d1)-5$.
 (d for through hole, d1 for countersunk)

Ordering Example

■ **Standard Type**
 Part Number - A - B - T
 GRFZ - 150 - 50 - 1

■ **With Machined Hole Type**
 Part Number - A - B - T - X - Y - Screw Nominal Dia.
 GRFZ2H - 100 - 50 - 1 - X80 - Y25 - N5

■ **Standard Type Unit Price**

Part Number	T	A	Unit Price 1 ~ 4 pc(s).	
			B	
GRFZ	1	40~100	40~60	61~80
		101~200		
		201~300		
		301~400		
		401~500		

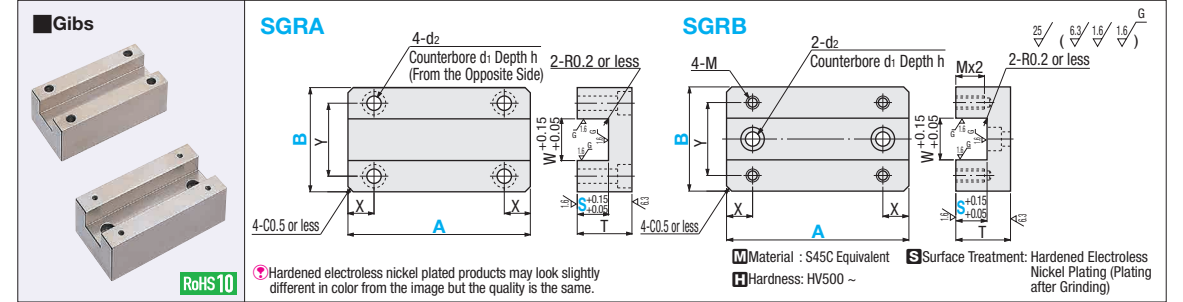
■ **Hole Machining Charge**

Part Number	T	A	Unit Price 1 ~ 4 pc(s).		
			B		
GRFZ	2.5	40~100	40~60	61~80	81~100
		101~200			
		201~300			
		301~400			
		401~500			

☉ For orders larger than indicated quantity, please check with WOS.
 ☉ For orders larger than indicated quantity, please check with WOS.
 ☉ Price of Machined Hole Type = Standard Type Unit Price + Hole Machining Charge
 (Ex.) Part Number - A - B - T - X - Y - (Standard Type Unit Price) + (Hole Machining Charge) = Machined Hole Type Unit Price
 GRFZ2H - 100 - 50 - 1 - X80 - Y25 - N5 ->

Gibs

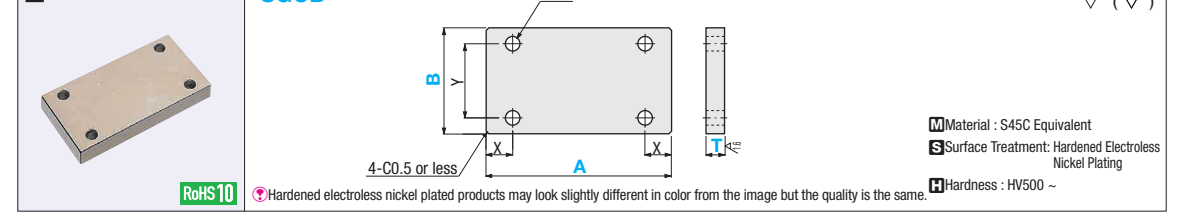
■ **Features:** Gibs having excellent abrasion resistance due to hardening treatment.



Part Number	Type	B	A Selection		S Selection		W	T	X	Y	d1	d2	h	M	Unit Price	
			40	50	12	20									SGRA	SGRB
SGRA SGRB	40	40	40	50	12	20	16	20	7	28	9.5	5.5	5.5	4		
			50	60	15	20	20	30	10	36	11	6.5	6.5	5		
	60	60	60	80	15	20	30	30	10	46	11	6.5	6.5	5		
			100	80	20	25	40	40	15	60	14	9	9	6		
	80	80	80	100	20	25	40	40	15	60	14	9	9	6		
			120													

☉ Hardened electroless nickel plated products may look slightly different in color from the image but the quality is the same.

■ **Features:** Gib Covers having excellent abrasion resistance due to hardening treatment.



Part Number	Type	B	A Selection		T Selection	X	Y	N	Unit Price		
			40	50					T5	T9	T12
SGCB	40	40	40	50	5	7	28	4.5			
			50	60		10	36				
	60	60	60	80	9	10	46	5.5			
			100	80		12					
	80	80	80	100	12	15	60	6.5			
			120								

Ordering Example

Part Number - A - S
 SGRA40 - 50 - 12
 Part Number - A - T
 SGCB40 - 50 - 5

Alterations

Part Number - A - S - (SC, NC)
 SGRA80 - 100 - 25 - SC10
 Part Number - A - T - (ZC)
 SGCB50 - 60 - 9 - ZC

Alterations	Dimension S		Dowel Hole		Mounting Hole	
	SC	NC	NC	ZC	ZC	ZC
Spec.						
	SC=1mm Increment Ordering Code SC 6	Machines 2 dowel holes. Ordering Code NC	Changes mounting holes to counterbored holes. Ordering Code ZC			
	B d1 d2 h SC 40 8 4.5 4.5 50 9.5 5.5 5.5 60 9.5 5.5 5.5 80 11 6.5 6.5	B d NC 40 6 50 6 60 6 80 8	B d1 d2 h ZC 40 8 4.5 4.5 50 9.5 5.5 5.5 60 9.5 5.5 5.5 80 11 6.5 6.5			

Example

Combination of these app. examples can be selected on our website.
 Details about Selection Procedure **P87**
 e-Catalog Search Keyword **#MA781** Search
 * Enter the search keyword in the search box on e-Catalog.
 The search result will be shown in "Modular Assembler" area.