


Slide Rails Load Rating: 176N~260N/2 pcs.

Light Load, Steel, Stainless Steel

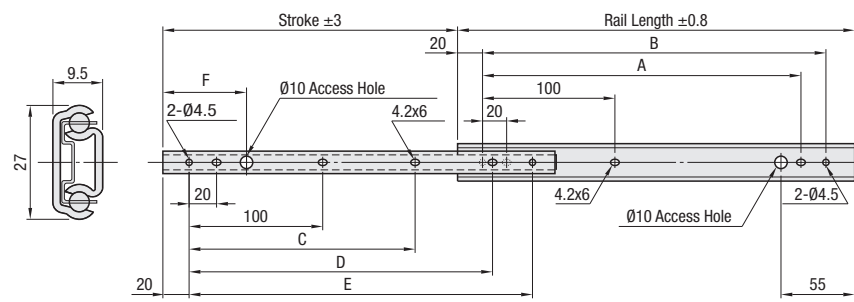
■ **Features:** The rails are trivalent chrome coated steel. Economically priced slide rails compliant with RoHS regulations.

■ **Steel, Two-Step**



RoHS 10

SRY27 Rail Disassembly: **Not Possible**




Material: Steel
Surface Treatment: Bright Chromate (Trivalent Chromium)

Part Number	Rail Length	Stroke	A	B	C	D	E	F	Load Rating (N/2 pcs.)	Unit Price		
										1 ~ 4 pc(s)	5 ~ 9 pcs	10 ~ 20 pcs
SRY27	20	200	135	140	160	-	140	160	62.5	260		
	25	250	185	190	210	150	190	210	62.5	240		
	30	300	222	240	260	190	240	260	62.5	230		
	35	350	260	290	310	225	290	310	62.5	210		
	40	400	297	340	360	265	340	360	62.5	200		
	45	450	334	390	410	300	390	410	142.5	180		
50	500	371	440	460	337	440	460	142.5	170			

⚠ For horizontal installation, the target value of load rating is 25% (Reference Value).
 ⚠ Use M4 Recessed Truss Machine Screws (P.2-233, 234) or Recessed Binding Head Screws (P.2-232) to mount rails.

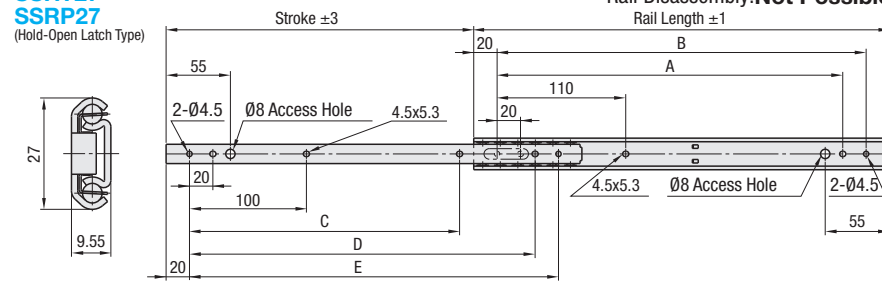
■ **Features:** The rails are made of SUS304, which has excellent corrosion resistance. Lockable slide rails in full open state. See App. Example P.630.

■ **Stainless Steel, Two-Step**



RoHS 10

SSRY27
SSRP27 (Hold-Open Latch Type) Rail Disassembly: **Not Possible**



Material: Rail: SUS304
Ball: SUS440C

■ **Hold-Open Latch Type**

- SSRY27 does not have a position-locking function.
- Lock is released by applying force of 0.5kg or more (reference value) in store direction.
- When the rail is fully pulled out, the tab fits in the leaf spring to lock rails tentatively in the retracting direction. Convenient when operating with the drawer open.
- To use slide rails in vertical or inclined arrangements, use additional external structures to prevent rails from falling.

Part Number	Rail Length	Stroke	A	B	C	D	E	Load Rating (N/2 pcs.)	SSRY27		SSRP27	
									Unit Price	Volume Discount Rate	Unit Price	Volume Discount Rate
SSRY27 SSRP27	08	203.2	136.1	143.2	163.2	-	143.2	163.2	255	1 ~ 5 pc(s)	6 ~ 20 pcs	
	10	254	186.9	194	214.0	154	194	214	235			
	12	304.8	225.0	244.8	264.8	194.8	244.8	264.8	235			
	14	355.6	263.1	295.6	315.6	230.6	295.6	315.6	225			
	16	406.4	301.2	346.4	366.4	271.4	346.4	366.4	206			
	18	457.2	339.3	397.2	417.2	307.2	397.2	417.2	196			
	20	508	377.4	448	468.0	345	448	468	176			

⚠ For horizontal installation, the target value of load rating is 25% (Reference Value).
 ⚠ The rails can not be pulled apart. ⚠ Use M4 Recessed Truss Machine Screws (P.2-234) to mount rails.


Ordering Example
 Part Number
 SSRY2718
 SSRP2720

Slide Rails Load Rating: 275N~370N/2 pcs.

Light Load, Steel, Stainless Steel

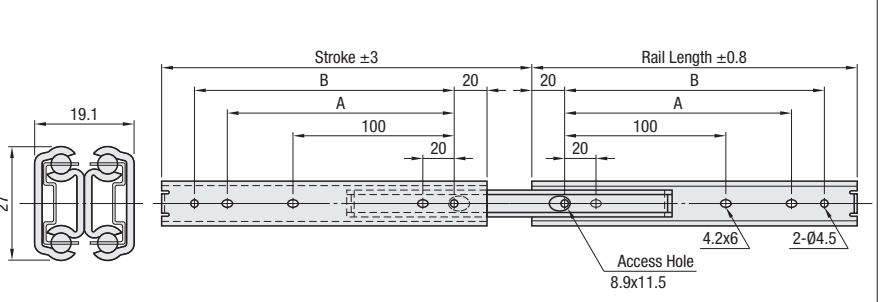
■ **Features:** The rails are trivalent chrome coated steel. Economically priced slide rails compliant with RoHS regulations.

■ **Steel, Three-Step**



RoHS 10

SRXY27 Rail Disassembly: **Not Possible**




Material: Steel
Surface Treatment: Bright Chromate (Trivalent Chromium)

Part Number	Rail Length	Stroke	A	B	Load Rating (N/2 pcs.)	Unit Price	
						1 ~ 5 pc(s)	6 ~ 20 pcs
SRXY27	20	200	228.8	140	160	370	
	25	250	276.2	190	210	360	
	30	300	327.2	240	260	350	
	35	350	376.4	290	310	330	
	40	400	425.6	340	360	310	
	45	450	474.8	390	410	290	
50	500	524.0	440	460	280		

⚠ For horizontal installation, the target value of load rating is 25% (Reference Value). ⚠ The rails are Three-step Type, and can not be pulled apart.
 ⚠ Use M4 Recessed Truss Machine Screws (P.2-233, 234) or Recessed Binding Head Screws (P.2-232) to mount rails.

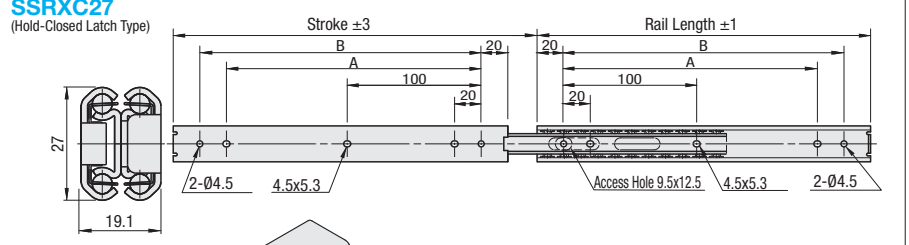
■ **Features:** The rails are made of SUS304, which has excellent corrosion resistance. Lockable slide rails in full close state. See App. Example P.630.

■ **Stainless Steel, Three-Step**



RoHS 10

SSRXY27
SSRXC27 (Hold-Closed Latch Type) Rail Disassembly: **Not Possible**



Material: Rail: SUS304
Ball: SUS440C

■ **Hold-Closed Latch Type**

- SSRXY27 does not have a position-locking function.
- Lock is released by applying force of 2kg/pc or more (reference value) in pulling out direction.
- When the rail is retracted, the tab fits in the leaf spring to lock rails tentatively in the pulling out direction. This prevents drawers from opening by vibration.
- To use slide rails in vertical or inclined arrangements, use additional external structures to prevent rails from falling.

Part Number	Rail Length	Stroke	A	B	Load Rating (N/2 pcs.)	SSRXY27		SSRXC27		
						Unit Price	Volume Discount Rate	Unit Price	Volume Discount Rate	
SSRXY27 SSRXC27	08	203.2	225.2	143.2	163.2	373	1 ~ 5 pc(s)	6 ~ 20 pcs	1 ~ 5 pc(s)	6 ~ 20 pcs
	10	254	276.0	194	214.0	363				
	12	304.8	326.8	244.8	264.8	353				
	14	355.6	377.6	295.6	315.6	333				
	16	406.4	428.4	346.4	366.4	313				
	18	457.2	479.2	397.2	417.2	294				
	20	508	530.0	448	468.0	275				

⚠ For horizontal installation, the target value of load rating is 25% (Reference Value).
 ⚠ The rails can not be pulled apart. ⚠ Use M4 Recessed Truss Machine Screws (P.2-185) or Cross Recessed Pan Head Screws (P.2-226) to mount rails.

Ordering Example
 Part Number
 SSRXC2708
 SRXY2735