



# Miniature Linear Guides

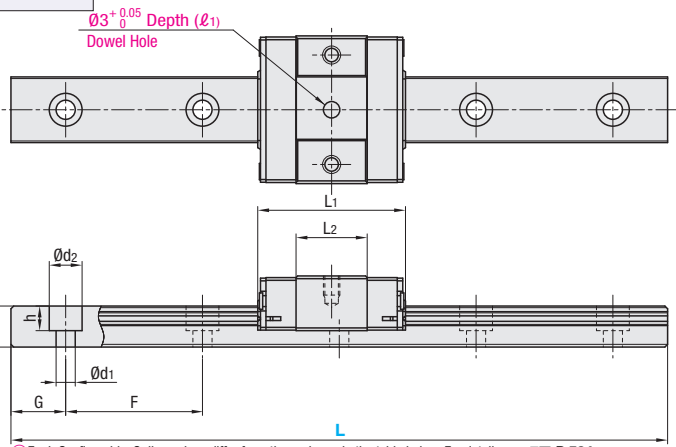
## Short Blocks with Dowel Holes, Light Preload

**Features:** MISUMI original specifications with dowel holes. Requires less time for assembly and has better repeatability.



Material	Hardness	Type High Grade	MX (Lubrication Unit)	L Dimension	Number of Blocks
Stainless Steel	56HRC~	SSEBSN	Blank: None -MX: Provided	Selectable	1
		SSE2BSN			2
		SSEBSNL		Configurable	1
		SSE2BSNL			2

Heat Resistant Temperature: -20 ~ 80°C

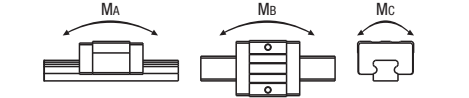


For L Configurable, G dimensions differ from those shown in the table below. For details, see P. 531.

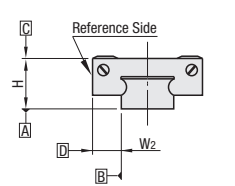
- Precautions for Use**
  - Blocks are equipped with retainers (wire) to prevent balls from falling off. For how to handle the blocks, see P. 525.
  - Radial clearances and accuracies are not guaranteed if the blocks and rails are interchanged from the original set combinations.
  - Straight grooves are provided on datum planes. Be sure to match the datum lines when using.
  - Rails cannot be connected end to end.
  - The accuracy of Linear Guides is guaranteed after mounting the rail (after fastening screws on the rail and pushing it onto the datum plane).
  - Minor bending of the rail will be adjusted after being mounted and will not affect the performance.
- Accessory**
  - H8 comes with cap screws (M2x6).
- Others**
  - Filled with Lithium soap based grease (Mullemp Grease PS2 by Kyodo Yushi Co., Ltd.). For operating life calculation, see P. 527.
  - For operating life calculations, use our free calculation software from [http://download.misumi.jp/mo/fa\\_soft.html](http://download.misumi.jp/mo/fa_soft.html).
  - The MX type is greased with a lithium complex grease (TOUGHLIX GREASE MP2, made by JXTG Nippon Oil & Energy Corporation).

Part Number	Type	MX	H	L	Block Dimension			Dowel Hole Dimensions		Guide Rail Dimension										
					W	L1	B	Sxℓ	L2	K	Cb	N	(ℓ1)	W1	W2	H1	Ca	Counterbored Hole d1xd2xh	F	G
SSEBSN SSE2BSN SSEBSNL SSE2BSNL	Blank: None -MX: Provided		8	40~130 (55)	17	19.6	12	M2x2.5	9.6	6.5	0.3	8.5	2	7	5	4.7	0.3	2.4x4.2x2.3	15	5
			10	35~275 (75)	20	22.9	15	M3x3	11.9	7.8	0.3	10	2.5	9	5.5	5.5	0.3	3.5x6x3.5	20	7.5
			13	45~470 (95)	27	27	20	M3x3.5	13	10	0.5	13.5	3	12	7.5	7.5	0.5	3.5x6x4.5	25	10
			16	70~670 (110)	32	32.7	25	M3x4	17.7	12	0.5	16	4	15	8.5	9.5	0.5	3.5x6x4.5	40	15

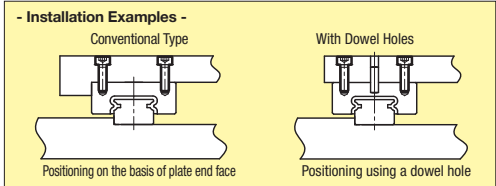
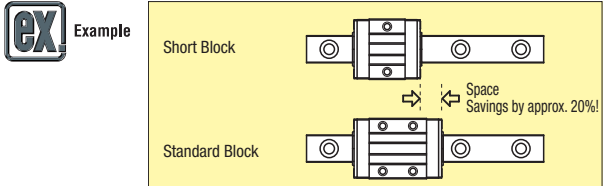
H	Basic Load Rating			Allowable Static Moment			Mass	
	C (Dynamic) kN	Co (Static) kN	Ma N-m	Mb N-m	Mc N-m	Block kg	Guide Rail kg/m	
8	0.79	1.27	1.9	1.6	4.6	0.008	0.19	
10	1.16	1.68	3.1	2.6	7.9	0.015	0.31	
13	1.63	2.38	5.2	4.4	14.8	0.025	0.61	
16	3.08	4.23	12.3	10.3	32.6	0.05	1.02	



### Preload and Accuracy Standards



Specifications	Light Preload, High Grade
Radial Clearance	-3~0
Height H Tolerance	±20
Pair Variation of Height H	15
Width W2 Tolerance	±25
Pair Variation of Width W2	20
Running Parallelism of Plane C against Plane A	See P. 525
Running Parallelism of Plane D against Plane A	See P. 525



H	L	Unit Price	
		SSEBSN	SSE2BSN
8	40		
	55		
	70		
	85		
	100		
	115		
	130		
10	35		
	55		
	75		
	95		
	115		
	135		
	155		
	175		
	195		
	215		
13	235		
	255		
	275		
	45		
	70		
	95		
	120		
	145		
	170		
	195		
	220		
	245		
	270		
16	295		
	320		
	345		
	370		
	395		
	420		
	445		
	470		
	70		
	110		
	150		
	190		
	230		
270			
310			
350			
390			
430			
470			
510			
550			
590			
630			
670			

H	Unit Price	
	SSEBSNL	SSE2BSNL
8		
10		
13		
16		

For calculation of L Dimension Configurable Type (1mm Increment), add the above amount to the unit price of the Selectable Type longer than, and closest to this L Dimension Configurable Type.

**Lubrication Unit MX**

The same block size as existing products!  
The oil-impregnated porous core part has been built into the product.

Advantages of the Lubrication Unit MX:  
Provides long-term maintenance-free operation.  
Reduces maintenance costs.

**Ordering Example**

Part Number - L

- SSE2BSN10 - 275 (With Lubrication Unit)
- SSE2BSN-MX10 - 275 (With Lubrication Unit)
- SSE2BSN10L - 175 (L Type Greased)
- SSE2BSN10G - 175 (G Type Greased)

Alternative grease types available.  
P.531

**Alterations**

Part Number - L - (MC, RLC, LLC, B3, B4)

SSE2BSN16 - 430 - MC

Alterations	Code	Spec.
Tapped Hole	MC	Changes the rail mounting holes from counterbored holes to tapped holes.
Rail End Cut	LLC	Cuts rail ends.
3-Block Specifications	B3	Add 2 blocks to 1-block product to ship as 3-block separate item.
4-Block Specifications	B4	Add 3 blocks to 1-block product to ship as 4-block separate item.

H	B3: Price Adder		B4: Price Adder		H	B3 (3-block)	B4 (4-block)
	Standard	Standard MX	Standard	Standard MX			
8					8	85	100
10					10	95	135
13					13	120	145
16					16	150	190

**Options for Linear Guide**

- Position Retaining Parts
- Block Derailment Prevention Parts
- Stopper Bolts
- Rail Push Plates
- Linear Lock
- Linear Guide Lock Units