

Single Axis Robots RS3 - Motor Folded



Dedicated Website: http://download.misumi.jp/mol/fa_soft.html
Useful Selection Software and Instruction Manuals can be downloaded.

See notes on CE Marking. P456



Controller



Actuator



Cable



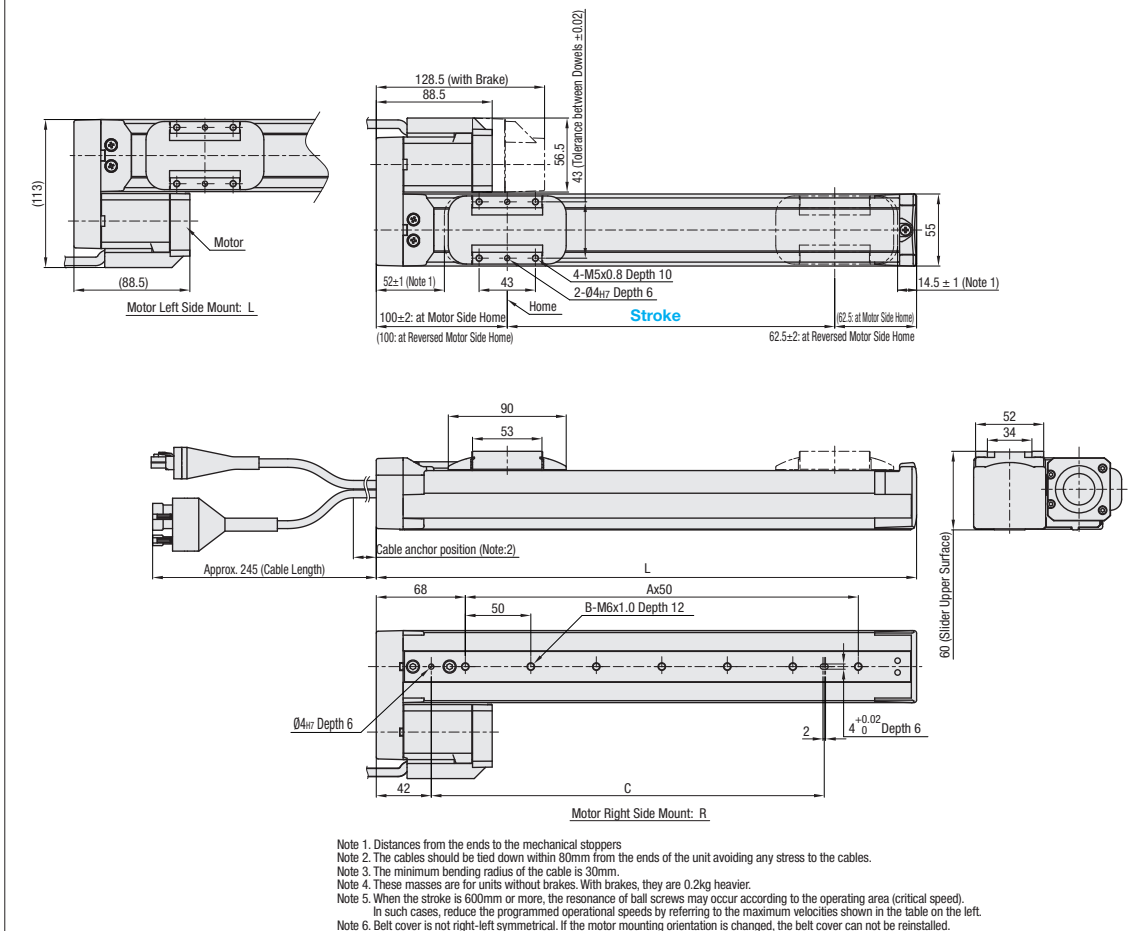
Instruction Manual CD-ROM

Controller Specifications P497-506

Components: Actuator, Controller, Cable			
Accessory			
Controller I/O Specifications			
A	NPN, PNP	CC-Link	DeviceNet
Accessory	Instruction Manual (CD-ROM), Power Connector, Dummy Connector		
	CC-Link Connector DeviceNet Connector		
Robot Material / Surface Treatment			
Components	Guide Rail	Slider	Side Cover
M Material	Steel	Aluminum	Aluminum
S Surface Treatment	-	-	Anodize
General Specifications			
Ball Screw	Motor	Position Detector	Operating Ambient Temperature, Humidity
Ø12 (C10 Rolled)	Stepping	Resolver (Incremental)	0-40°C, 35-85%RH (No Condensation)

Standard Specifications FAQ P503												
Type	Lead (mm)	Positioning Repeatability (mm)	Max Load Capacity (kg)		Max. Push Force (N)	Stroke (mm)	Max. Velocity (Note) (mm/sec)	Rated Running Life	Input Power Supply	Maximum Positioning Point		
RS3	06	±0.02	Horizontal	Vertical	120	50~800 (50 Pitch)	300~190	10,000 km or More	DC24V ±10%	255 points		
	12		8	2							60	600~380
	20		6	-							36	1000~633

(Note) Maximum velocities allowed may vary depending on the stroke length selected. Please refer to the "Recommended Maximum Velocities" table.



Dimensions / Mass																	
Type	Dimensions / Mass	Stroke (mm)															
RS3	L (mm)	212.5	262.5	312.5	362.5	412.5	462.5	512.5	562.5	612.5	662.5	712.5	762.5	812.5	862.5	912.5	962.5
	A (mm)	2	3	4	5	6	7	8	9	10	11	12	13	14	15	16	17
	B (mm)	3	4	5	6	7	8	9	10	11	12	13	14	15	16	17	18
	C (mm)	100	150	200	250	300	350	400	450	500	500	500	500	500	500	500	500
	Mass (kg)	1.7	1.9	2.1	2.3	2.5	2.7	2.8	3.0	3.2	3.4	3.6	3.8	4.0	4.2	4.4	4.6

Part Number		Selection					
Type	Lead (mm)	With or w/o Brake (1)	Motor Mounting Direction	Controller (2)	I/O Module	Cable Length (m)	Stroke (mm)
RS3	06	None : Leave blank Included: B	Right Side Mount: R Left Side Mount: L	Point Control: C1 Pulse Control: P1 (DC24V ±10%)	NPN: N PNP: P CC-Link: C DeviceNet: D	1 3 5 10 (Flexible Cable)	50~800 (50mm Increment)
	12						
	20						

(1) Choose the "Brake" option for use in vertical applications. (The brake option is not available for Lead 20) (2) When the pulse train type controller is selected, the I/O type selection is not required.

Ordering Example

Part Number - Motor Mounting Direction - Controller - I/O Module - Cable Length - Stroke

RS306B - L - C1 - N - 3 - 400

RS306B - L - P1 - - - 3 - 400 (Controller: P1)

Robot Body Price																
Part Number	Unit Price 1 ~ 2 pc(s)															
	Stroke (mm)															
RS3	50	100	150	200	250	300	350	400	450	500	550	600	650	700	750	800
RS3																
RS3																

Controller Price			Cable Price	
Type	I/O Module	Unit Price	Cable Length (m)	Unit Price
C1	N		1	
	P		3	
	C		5	
	D		10	
P1	-			

Note
Power interruption circuit is not provided in this controller in order to provide maximum flexibility for customer specific safety scheme. Please be sure to provide an external power interruption circuit and form an emergency stop circuit. For Circuit examples, see P503

Allowable Overhang Load

- Horizontal Use
- Wall Mounted Use
- Vertical Use

Allowable Static Moment

Moment Diagram

N · m			
MY	MP	MR	
32	38	34	

Max. Velocity (mm/sec)											
Type	Lead (mm)	Stroke (mm)									
RS3	06	50~600	650	700	750	800	300(250)	280(250)	250	220	190
	12	400~600(500)	560(500)	500	440	380	2kg	2kg	2kg	2kg	2kg
	20	350~1000	933	833	733	633	1kg	1kg	1kg	1kg	1kg

Values in () are for vertical applications.
For stroke ranges 650mm or more, ball screws may resonate in certain operation areas (critical speed). In that case, reduce the operation speed by referring to the Max. Velocity shown in the table above.

<Price Example> The prices are for the part numbers on the left.
(Robot Body Price) + (Controller Price) + (Cable Price) +
(Grease Type Alteration Charge) + (Home Position Alteration Charge) = Total Price

Alterations

Part Number - Motor Mounting Direction - Controller Type - I/O Type - Cable Length - Stroke - (G, E...etc.)

RS306B - L - C1 - N - 3 - 400 - G-E

Alterations	Change of Home Position	Handset Terminal Standard Specification	Handset Terminal w/ Deadman's Switch	Support Software w/ USB Communication Cable	Support Software w/ D-Sub Communication Cable	I/O Cable	Cable for daisy-chain connection	Instruction Manual	Main Body Plastic Color Alterations	
Grease Type Alteration	Motor	Handset Terminal is included. Specifications P503, 507	Handset Terminal w/ Deadman's Switch is included. Specifications P503, 507	Support Software w/ USB Communication Cable is included. Specifications P503, 507	Support Software w/ D-Sub Communication Cable is included. Specifications P507	T: Controller C1 TP: Controller P1	Length: 300mm	MJ5/KJ3/KJ4 KJ3: Controller (C1) KJ4: Controller (P1)	Change the actuator plastic parts color to black.	
Code	G	E	H	D	S	R	T/TP	C	MJ5/KJ3/KJ4	BC
Spec.	Grease is changed to low particle generation grease. (NSK LG2)	The home position is relocated to the opposite side of the motor.	Handset Terminal is included. Specifications P503, 507	Handset Terminal w/ Deadman's Switch is included. Specifications P503, 507	Support Software w/ USB Communication Cable is included. Specifications P503, 507	Support Software w/ D-Sub Communication Cable is included. Specifications P507	I/O Cable is included. Required for NPN/PNP configurations. Specifications P507	A cable to connect multiple controllers. It can connect maximum 16 controllers. Specifications P507	Operation Manual is included. For Actuator MJ5: For Controller KJ3, KJ4.	Change the actuator plastic parts color to black.

For optional items, see P507. It is more economical to order the optional items as alterations than purchasing them individually.
Entering point data requires the handy terminal or the support software. An I/O Cable is required for Parallel Communication I/O Control.
For details on daisy-chain, see P505. Please select the correct I/O cable type for the appropriate controller type.