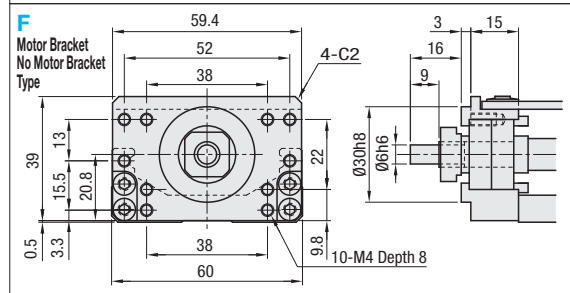
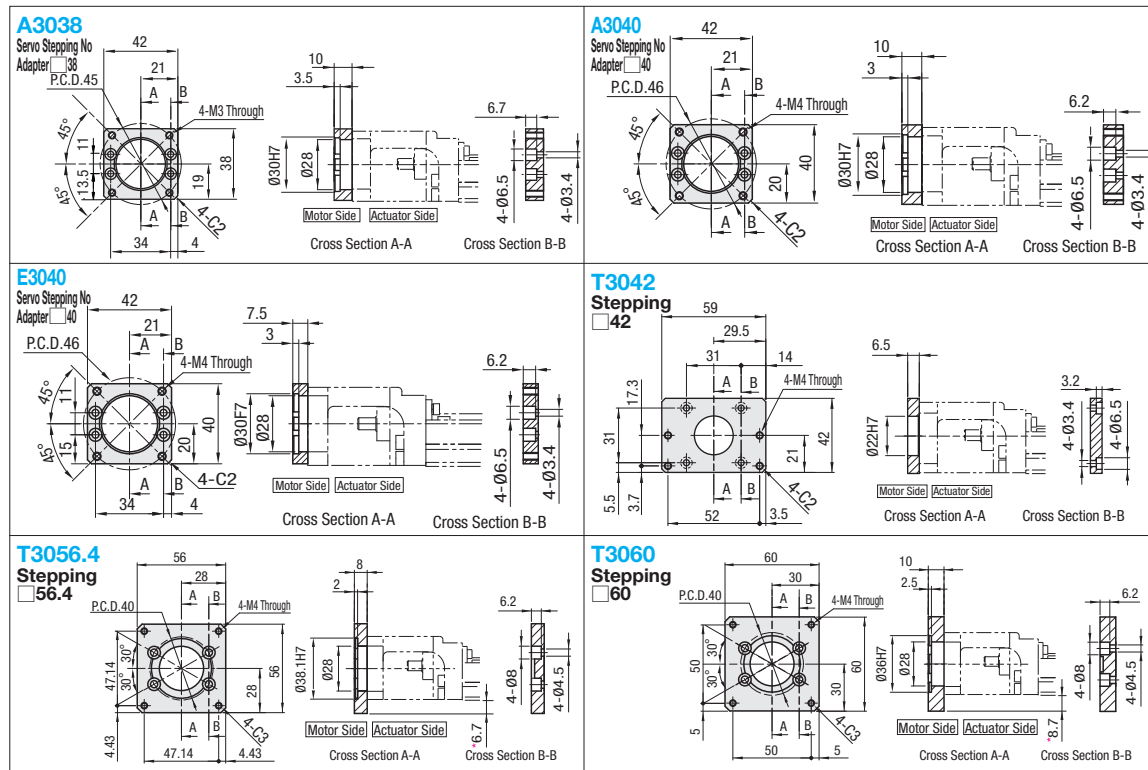




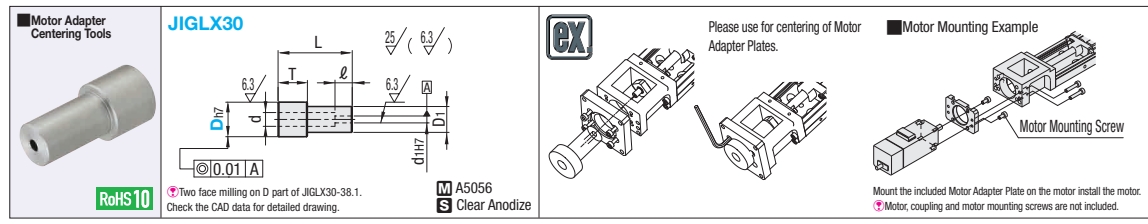
Note: Note that the Motor Adapter protrudes beyond the rail at * marked area.



Servo Motor Application Table					
Part Number	Flange Size	Manufacturer	Product Number	Wattage	Recommended Coupling
A3038	□38	Panasonic	MSMD5A/MSME5A	50W	SCXW21 (P.1076) SCPW21 (P.1076) CPDW19 (P.1075)
			MSMD01*/MSME01*	100W	
		Yasukawa Electric Corporation	SGMJV-A5	50W	
			SGMAH-A5	50W	
			SGMAH-01	100W	
		Mitsubishi Electric Corporation	HG-MR053	50W	
			HG-MR13	100W	
		Sanyo Denki Co., Ltd.	Q1AA04003D	30W	
			Q1AA04005D	50W	
		Omron Corporation	Q1AA04010D	100W	
R88M-K05030	50W				
Keyence Corporation	R88M-K10030	100W			
	MV-M05	50W			
E3040	□40	SIEMENS	1FK7011-5	50W	CPDW25 (P.1075)
			1FK7015-5	100W	
			1FK7015-5	100W	

Stepping Motor Application Table					
Part Number	Flange Size	Manufacturer	Product Number	Type	Recommended Coupling
T3042	□42	Oriental Motor	PK24*	2-phase	SCXW21 (P.1076) SCPW21 (P.1076) CPDW19 (P.1075)
T3060	□60		RKS54*/PK54*	5-phase	
			AS46/ASC46/AR46	α-Step	
T3056.4	□56.4		RKS56*/PK56*	5-phase	
		AS6*/ASC66/AR66	α-Step		
F	□56.4	NEMA standards	NEMA23	-	CPDW19(P.1075)

*NEMA standards is a set of standards stipulated by National Electrical Manufacturers Association of United States.
*Not compatible with geared motors made by Oriental Motor.



Part Number	D	Applicable Adapter Plate	d	D1	d1	L	T	ℓ	Unit Price (1-5 pcs)
JIGLX30	30	A3038/A3040	10	20	6	52.5	13	10	
	38.1	T3056.4				51			
	36	T3060				53			

* Shaft insertion length into the coupling will be 1.15mm shorter on each side when used with Siemens motor.
* Product numbers and specifications of motors are subject to change. Please check the manufacturers' information.
* Applicable motors and couplings are not limited to the above listed products. Please confirm each mounting dimension.

Ordering Example: Part Number - D
JIGLX30 - 30

Proximity Sensor (SUNX) - Set Part Specification

LX Part Number	Code (□ is Sensor Qty.) *For Lx150, Max. 2 For Lx200, Max. 3	Sensor Type/Qty.		Sensor Rail		Sensor (* Qty per Sensor Included)		Sensor Flag		Unit Price (L≤300)			Unit Price (L≥350)															
		GX-F12A (ON when near)	GX-F12B (ON when away)	Rail (1 pc.)	Mounting Screw (Pitch +1 pc.)	Sensor Mounting Screw (1 pc.)	Mounting Nut (1 pc.)	Sensor Flag (1 pc.)	Sensor Flag Mounting Screw	Sensor Qty.			Sensor Qty.															
LX30 □□-B□	XA □ XB □	□ pc(s)	□ pc(s)	SENC3□H	SCB3-5	CBSST3-8	LBNR3	Dedicated	Flat Head Machine Screw M2.6-4 (1 pc.)	1 pc.	2 pcs.	3 pcs.	1 pc.	2 pcs.	3 pcs.													
LX30 □□-S□	XAS □ XBS □	□ pc(s)	□ pc(s)	SENC3□H	SCB3-5					1 pc.	2 pcs.	Flat Head Machine Screw M2.6-4 (1 pc.)	1 pc.	2 pcs.	3 pcs.	1 pc.	2 pcs.	3 pcs.										
LX30 □□-C-B□	FA □ FB □	□ pc(s)	□ pc(s)										SENC3□H	SCB3-6	1 pc.	2 pcs.	SCB3-6 (2 pcs.)	1 pc.	2 pcs.	3 pcs.	1 pc.	2 pcs.	3 pcs.					
LX30 □□-C-S□	FAS □ FBS □	□ pc(s)	□ pc(s)	SENC3□H	SCB3-5					1 pc.	2 pcs.	SCB3-6 (2 pcs.)						1 pc.	2 pcs.	3 pcs.	1 pc.	2 pcs.	3 pcs.					
LX30 □□-B□	XW1 □ XW2 □ XW3 □	1 pc.	2 pcs.															SENC3□H	SCB3-5	1 pc.	2 pcs.	SCB3-6 (2 pcs.)	1 pc.	2 pcs.	3 pcs.	1 pc.	2 pcs.	3 pcs.
LX30 □□-S□	XWS1 □ XWS2 □ XWS3 □	1 pc.	2 pcs.										SENC3□H	SCB3-6	1 pc.	2 pcs.	SCB3-6 (2 pcs.)						1 pc.	2 pcs.	3 pcs.	1 pc.	2 pcs.	3 pcs.
LX30 □□-C-B□	FW1 □ FW2 □ FW3 □	1 pc.	2 pcs.																				SENC3□H	SCB3-6	1 pc.	2 pcs.	SCB3-6 (2 pcs.)	1 pc.
LX30 □□-C-S□	FWS1 □ FWS2 □ FWS3 □	1 pc.	2 pcs.	SENC3□H	SCB3-6					1 pc.	2 pcs.	SCB3-6 (2 pcs.)	1 pc.	2 pcs.	3 pcs.	1 pc.	2 pcs.	3 pcs.										
LX30 □□-C-S□		1 pc.	2 pcs.										SENC3□H	SCB3-6	1 pc.	2 pcs.	SCB3-6 (2 pcs.)	1 pc.	2 pcs.	3 pcs.	1 pc.	2 pcs.						3 pcs.
LX30 □□-C-S□		1 pc.	2 pcs.															SENC3□H	SCB3-6	1 pc.	2 pcs.	SCB3-6 (2 pcs.)	1 pc.	2 pcs.	3 pcs.	1 pc.	2 pcs.	3 pcs.
LX30 □□-C-S□		1 pc.	2 pcs.			SENC3□H	SCB3-6	1 pc.	2 pcs.														SCB3-6 (2 pcs.)	1 pc.	2 pcs.	3 pcs.	1 pc.	2 pcs.

Photo Sensor (SUNX) - Set Part Specification

LX Part Number	Code (□ is the number of pcs.) *For Lx150, Max. 2 For Lx200, Max. 3	Photo Sensor	Sensor Rail		Sensor (* Qty per Sensor Included)				Sensor Flag		Unit Price (L≤300)			Unit Price (L≥350)		
			Rail (1 pc.)	Mounting Screw (Pitch +1 pc.)	Sensor Bracket	Bracket Mounting Screw Nut	Sensor Mounting Screw	Sensor Mounting Washer	Sensor Flag (1 pc.)	Sensor Flag Mounting Screw	Sensor Qty.			Sensor Qty.		
LX30 □□-B□	SP □	PM-L25	SENC3□H	SCB3-5	Dedicated	SCB3-5 (2 pcs.)	SCB3-6 (2 pcs.)	M2 Small Flat Washer (2 pcs.)	Dedicated	Flat Head Machine Screw M2.6-4 (1 pc.)	1 pc.	2 pcs.	3 pcs.	1 pc.	2 pcs.	3 pcs.
LX30 □□-S□	SPS □		SENC3□H	SCB3-5	Dedicated	SCB3-5 (2 pcs.)	SCB3-6 (2 pcs.)	M2 Small Flat Washer (2 pcs.)	Dedicated	Flat Head Machine Screw M2.6-4 (1 pc.)	1 pc.	2 pcs.	3 pcs.	1 pc.	2 pcs.	3 pcs.
LX30 □□-C-B□	MP □		SENC3□H	SCB3-6	Dedicated	SCB3-5 (2 pcs.)	SCB3-6 (2 pcs.)	M2 Small Flat Washer (2 pcs.)	Dedicated	Flat Head Machine Screw M2.6-4 (1 pc.)	1 pc.	2 pcs.	3 pcs.	1 pc.	2 pcs.	3 pcs.
LX30 □□-C-S□	MPS □		SENC3□H	SCB3-6	Dedicated	SCB3-5 (2 pcs.)	SCB3-6 (2 pcs.)	M2 Small Flat Washer (2 pcs.)	Dedicated	Flat Head Machine Screw M2.6-4 (1 pc.)	1 pc.	2 pcs.	3 pcs.	1 pc.	2 pcs.	3 pcs.

*The Photo Sensor PM-L24 is to be discontinued and replaced by the next-generation product PM-L25 in April 2017.

Photo Sensor (Omron) - Set Part Specification

LX Part Number	Code (□ is the number of pcs.) *For Lx150, Max. 2 For Lx200, Max. 3	Photo Sensor	Sensor Rail		Sensor (* Qty per Sensor Included)				Sensor Flag		Unit Price (L≤300)			Unit Price (L≥350)		
			Rail (1 pc.)	Mounting Screw (Pitch +1 pc.)	Sensor Bracket	Bracket Mounting Screw Nut	Sensor Mounting Screw	Sensor Mounting Washer	Sensor Flag (1 pc.)	Sensor Flag Mounting Screw	Sensor Qty.			Sensor Qty.		
LX30 □□-B□	OP □	EE-SX911-R1M	SENC3□H	SCB3-5	Dedicated	SCB3-5 (2 pcs.)	SCB3-6 (2 pcs.)	M3 Small Flat Washer (2 pcs.)	Dedicated	Flat Head Machine Screw M2.6-4 (1 pc.)	1 pc.	2 pcs.	3 pcs.	1 pc.	2 pcs.	3 pcs.
LX30 □□-S□	OPS □		SENC3□H	SCB3-5	Dedicated	SCB3-5 (2 pcs.)	SCB3-6 (2 pcs.)	M3 Small Flat Washer (2 pcs.)	Dedicated	Flat Head Machine Screw M2.6-4 (1 pc.)	1 pc.	2 pcs.	3 pcs.	1 pc.	2 pcs.	3 pcs.
LX30 □□-C-B□	EP □		SENC3□H	SCB3-6	Dedicated	SCB3-5 (2 pcs.)	SCB3-6 (2 pcs.)	M3 Small Flat Washer (2 pcs.)	Dedicated	Flat Head Machine Screw M2.6-4 (1 pc.)	1 pc.	2 pcs.	3 pcs.	1 pc.	2 pcs.	3 pcs.
LX30 □□-C-S□	EPS □		SENC3□H	SCB3-6	Dedicated	SCB3-5 (2 pcs.)	SCB3-6 (2 pcs.)	M3 Small Flat Washer (2 pcs.)	Dedicated	Flat Head Machine Screw M2.6-4 (1 pc.)	1 pc.	2 pcs.	3 pcs.	1 pc.	2 pcs.	3 pcs.

* Sensors are not sold separately.
* EE-SX911-R1M is scheduled to change to EE-SX951-R1M from April 2015.



Proximity Sensor Type Installation Drawings - SUNX

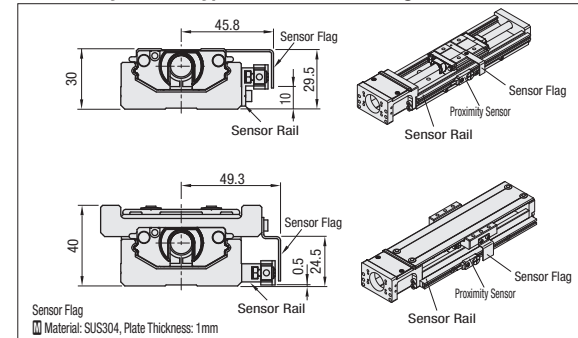
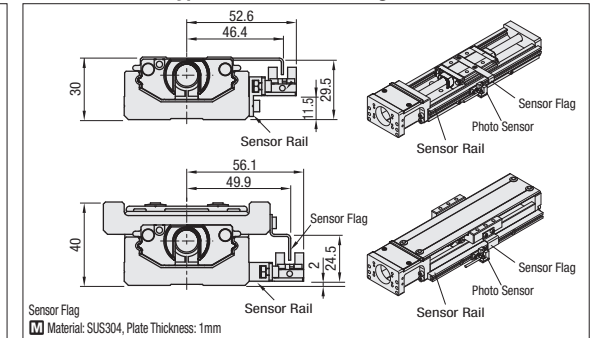


Photo Sensor Type Installation Drawings - SUNX / Omron



Cautions
 - Sensor set is shipped with LX Actuator. Assembly required.
 - Please check for all included parts immediately after unpacking. Some small parts can be lost. Please handle the products with great care.

* Please access each sensor manufacturer's website for the specifications of sensors in use.
 * The sensor can also be installed on the opposite side.
 * The drawing shows an example of sensor orientation. The sensor can also be installed in the opposite direction (i.e. with the cable wiring on the right).