


# Oil Free Bushing Housing Units - Blocks - Standard -

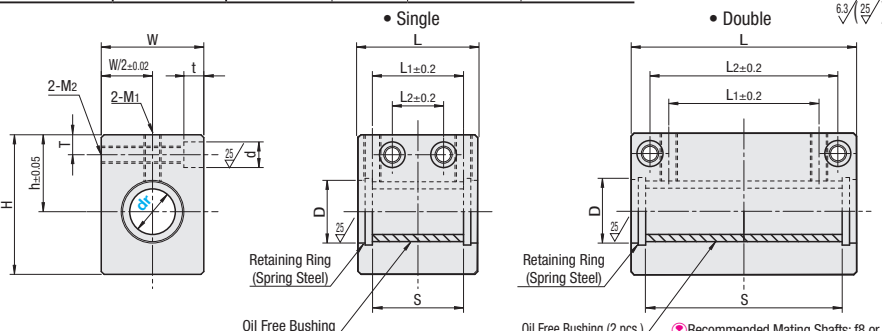
## Built-In Copper Alloy Bushings - Tall Blocks / Wide Blocks

**Features:** Best suitable for horizontal use. Reduces the time of manufacturing and assembling the housing. Compact in width (W Dimension) compared to Wide Blocks Type.

**Tall Blocks Standard Type**



Type	Seal	Housing		Bushing	
		M Material	S Surface Treatment	M Material	
Single	MHUTS	No Seal	Aluminum Alloy	Clear Anodize	High Tensile Brass Alloy, Solid Lubricant Embedded
	MHUTS-S	With Non-Contact Seals			
Double	MHUTW	No Seal	Aluminum Alloy	Clear Anodize	High Tensile Brass Alloy, Solid Lubricant Embedded
	MHUTW-S	With Non-Contact Seals			



• Single • Double

Retaining Ring (Spring Steel)  
Oil Free Bushing

Recommended Mating Shafts: f8 or g6

RoHS 10


With Non-Contact Seals  
Teflon seal of 0.3mm thick is attached on the inner side of each retaining ring.

Part Number	Type	dr	Tolerance	h	W	H	D	L		L1		L2		S	T	M1	M2	dxt	Unit Price					
								Single	Double	Single	Double	Single	Double						MHUTS	MHUTS-S	MHUTW	MHUTW-S		
Single MHUTS (No Seal)	16	+0.034	0	27	36	49	22.2	42	78	32	52	18	65	29.8	59.6	7	M6	M6	9x7	(For M5 Screws)				
Single MHUTS-S (With Non-Contact Seals)	20			31	42	54	26	48	85	36	58	18	70	34.8	69.6	8	M8	M8	11x8	(For M6 Screws)				
Double MHUTW (No Seal)	25	+0.041	0	37	52	65	32	56	120	42	80	22	100	49.8	99.6	9	M10	M10	14x10	(For M8 Screws)				
Double MHUTW-S (With Non-Contact Seals)	30			40	58	71	37	68	128	44	90	22	110	59.8	119.6	9	M10	M10	14x10	(For M8 Screws)				

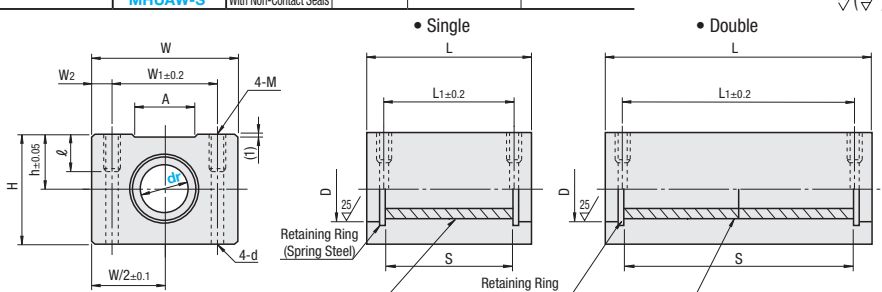
For Features of Non-Contact Seal Type, refer to P.393.

**Features:** Best suitable for horizontal use. Reduces the time of manufacturing and assembling the housing. Sufficient clamping strength can be obtained with 4 Mounting Holes.

**Wide Blocks Standard Type**



Type	Seal	Housing		Bushing	
		M Material	S Surface Treatment	M Material	
Single	MHUAS	No Seal	Aluminum Alloy	Clear Anodize	High Tensile Brass Alloy, Solid Lubricant Embedded
	MHUAS-S	With Non-Contact Seals			
Double	MHUAW	No Seal	Aluminum Alloy	Clear Anodize	High Tensile Brass Alloy, Solid Lubricant Embedded
	MHUAW-S	With Non-Contact Seals			



• Single • Double

Retaining Ring (Spring Steel)  
Oil Free Bushing

Recommended Mating Shafts: f8 or g6

RoHS 10

With Non-Contact Seals  
Teflon seal of 0.3mm thick is attached on the inner side of each retaining ring.

Part Number	Type	dr	Tolerance	h	W	H	D	L		L1		S		W1	W2	M	d	ℓ	A	Unit Price			
								Single	Double	Single	Double	Single	Double							MHUAS	MHUAS-S	MHUAW	MHUAW-S
Single MHUAS (No Seal)	16	+0.034	0	19	54	42	22.2	42	68	34	60	29.8	59.6	36	9	M5	4.3	12	26				
Single MHUAS-S (With Non-Contact Seals)	20			21	54	42	26	48	78	40	70	34.8	69.6	40	7	M6	5.2	12	26				
Double MHUAW (No Seal)	25	+0.041	0	26	78	60	32	62	110	50	100	49.8	99.6	54	12	M8	7	18	38				
Double MHUAW-S (With Non-Contact Seals)	30			30	78	60	37	70	128	58	110	59.8	119.6	58	10	M8	7	18	38				

For Features of Non-Contact Seal Type, refer to P.393.


Ordering Example  
Part Number  
MHUTS16  
MHUAS20

# Oil Free Bushing Housing Units - Blocks - Compact -

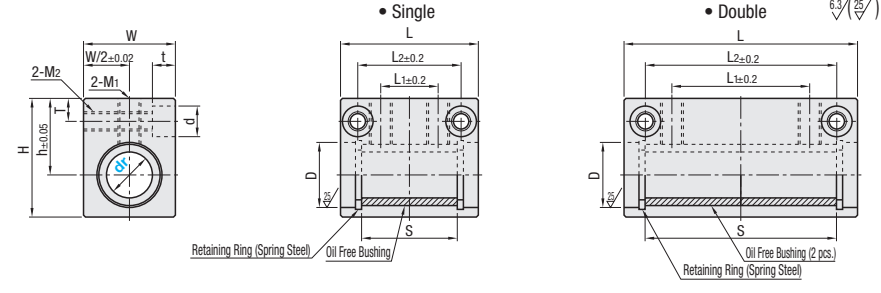
## Built-In Copper Alloy Bushings - Tall Blocks / Wide Blocks

**Features:** Best suitable for horizontal use. Reduces the time of manufacturing and assembling the housing. More compact housing compared to Housing Unit Standard Type.

**Tall Blocks Compact Type**



Type	Seal	Housing		Bushing	
		M Material	S Surface Treatment	M Material	
Single	MHCTS	No Seal	Aluminum Alloy	Clear Anodize	High Tensile Brass Alloy, Solid Lubricant Embedded
	MHCTS-S	With Non-Contact Seals			
Double	MHCTW	No Seal	Aluminum Alloy	Clear Anodize	High Tensile Brass Alloy, Solid Lubricant Embedded
	MHCTW-S	With Non-Contact Seals			



• Single • Double

Retaining Ring (Spring Steel)  
Oil Free Bushing

Recommended Mating Shafts: f8 or g6

RoHS 10

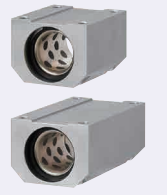
With Non-Contact Seals  
Teflon seal of 0.3mm thick is attached on the inner side of each retaining ring.

Part Number	Type	dr	Tolerance	h	W	H	D	L		L1		L2		S	T	M1	M2	dxt	Unit Price					
								Single	Double	Single	Double	Single	Double						MHCTS	MHCTS-S	MHCTW	MHCTW-S		
Single MHCTS (No Seal)	10	+0.028	0	17	20	26	15	37	62	13	36	25	50	24.8	49.6	5	M6	M5	8x6	(For M4 Screws)				
Single MHCTS-S (With Non-Contact Seals)	12			18	22	28	17	37	62	14	36	26	50	24.8	49.6	5	M6	M5	8x6	(For M4 Screws)				
Double MHCTW (No Seal)	16	+0.034	0	21	28	35	22.2	42	78	15	52	28	65	29.8	59.6	5.5	M6	M6	9x7	(For M5 Screws)				
Double MHCTW-S (With Non-Contact Seals)	20			24	34	40	26	48	85	21	58	34	70	34.8	69.6	5.5	M6	M6	9x7	(For M5 Screws)				
Single MHCTW (No Seal)	25	+0.041	0	30	42	50	32	56	120	25	80	42	100	49.8	99.6	8	M8	M8	11x8	(For M6 Screws)				
Single MHCTW-S (With Non-Contact Seals)	30			33	48	57	37	68	128	37	90	54	110	59.8	119.6	8	M8	M8	11x8	(For M6 Screws)				

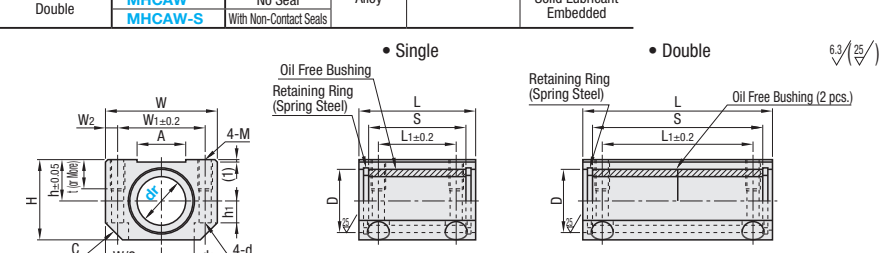
For Features of Non-Contact Seal Type, refer to P.393.

**Features:** Best suitable for horizontal use. Reduces the time of manufacturing and assembling the housing. More compact housing compared to Housing Unit Wide Blocks Standard Type.

**Wide Blocks Compact Type**



Type	Seal	Housing		Bushing	
		M Material	S Surface Treatment	M Material	
Single	MHCAS	No Seal	Aluminum Alloy	Clear Anodize	High Tensile Brass Alloy, Solid Lubricant Embedded
	MHCAS-S	With Non-Contact Seals			
Double	MHCAW	No Seal	Aluminum Alloy	Clear Anodize	High Tensile Brass Alloy, Solid Lubricant Embedded
	MHCAW-S	With Non-Contact Seals			



• Single • Double

Retaining Ring (Spring Steel)  
Oil Free Bushing

Recommended Mating Shafts: f8 or g6

RoHS 10

With Non-Contact Seals  
Teflon seal of 0.3mm thick is attached on the inner side of each retaining ring.

Part Number	Type	dr	Tolerance	h	W	H	D	L		L1		S		W1	W2	M	d	d1	t	h1	A	C	Unit Price			
								Single	Double	Single	Double	Single	Double										MHCAS	MHCAS-S	MHCAW	MHCAW-S
Single MHCAS (No Seal)	10	+0.028	0	10	30	19	15	32	56	22	46	24.8	49.6	22	4					4	15	5				
Single MHCAS-S (With Non-Contact Seals)	12			11	34	21	17	34	58	24	48	24	49.6	24		M5	4.3	8		5						
Double MHCAW (No Seal)	16	+0.034	0	14	40	27	22.2	42	68	32	58	29.8	59.6	30	5					7	20	6				
Double MHCAW-S (With Non-Contact Seals)	20			17	46	33	26	48	78	32	66	34.8	69.6	36		M6	5.1	9		9	7					
Single MHCAW (No Seal)	25	+0.041	0	20	54	39	32	62	110	42	92	49.8	99.6	42	6					11	30	8				
Single MHCAW-S (With Non-Contact Seals)	30			24	58	47	37	70	128	50	110	59.8	119.6	46		M8	7.0	11		13	10					

For Features of Non-Contact Seal Type, refer to P.393.

Ordering Example  
Part Number  
MHCTS16  
MHCAS20