

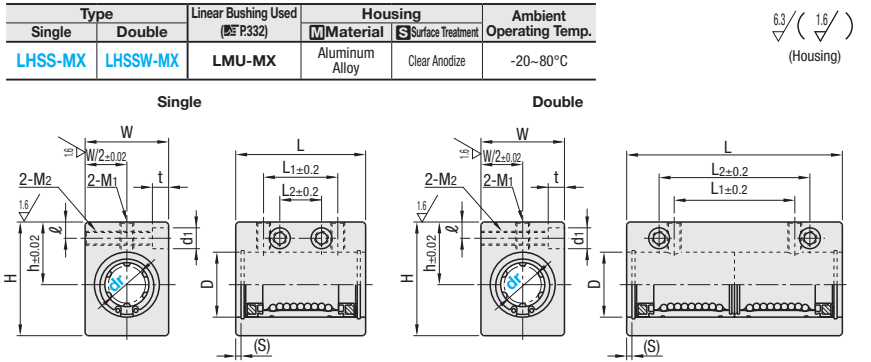
Housing Units with Lubrication Unit MX

Tall Blocks / Wide Blocks

Lubrication Unit MX realizes maintenance free.

■ **Features:** A design that reduces linear bushing assembly steps. Suitable when the distance from the shaft center to load mounting surface needs to be fixed. Width (W dim.) is more compact than Wide Blocks.

MISUMI Original



RoHS10

ⓘ No need to fill with grease prior to use because the product is already filled with lithium soap-based grease in addition to the built-in lubrication unit.

■ Tall Block Type

Part Number	Type	dr	Tolerance	D (S)	L		L1		L2		h	W	H	l	M1	M2	d1xt	Basic Load Rating				Allowable Static Moment (N·m)	Mass (g)	Single		Double						
					C (Dynamic) N		Co (Static) N		C (Dynamic) N									Co (Static) N		Unit Price	Volume Discount Rate			Unit Price	Volume Discount Rate							
					Single	Double	Single	Double	Single	Double								Single	Double													
10	LHSS-MX LHSSW-MX	19	0 -0.008	2.0	45	74	27	36	15	50	19	26	32	6	M6	M5	8x6 (For M4 Screws)	372	588	549	1100	-	7.24	92	166	1-9 pcs. 10-20 pcs. 1-9 pcs. 10-20 pcs.						
12		21	0 -0.009	2.0	47	77	27	36	15	50	20	28	34					372	588	549	1100	-	10.9	103	185							
16		28	0 -0.010	2.3	56	93	32	52	18	65	27	36	49					7	M6	M6	9x7 (For M5 Screws)	775	1230	1180	2350		-	19.7	237	423		
20		32	0 -0.010	2.8	64	106	36	58	22	70	31	42	54					8	M8	M8	11x8 (For M5 Screws)	882	1400	1370	2740		-	26.8	324	584		
25		40	0 -0.012	3.2	85	144	42	80	28	100	37	52	65					9	M10	M10	14x10 (For M8 Screws)	980	1560	1570	3140		-	43.4	672	1239		
30		45	0 -0.012	4.0	92	156	44	90	33	110	40	58	71					9	M10	M10	14x10 (For M8 Screws)	1570	2490	2740	5490		-	82.8	843	1545		

ⓘ For Precautions for Use, see P.303.

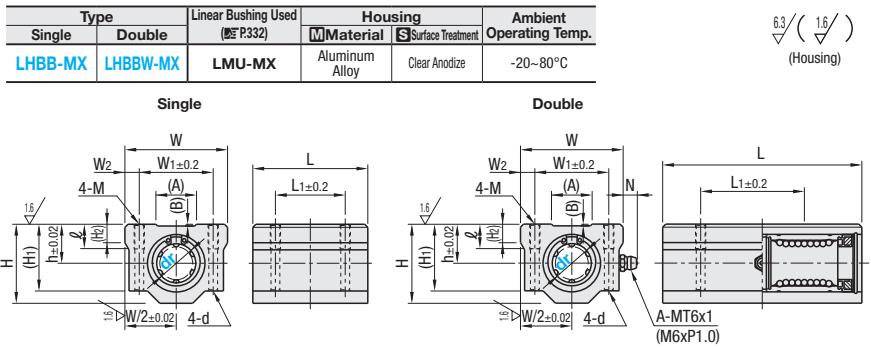
kgf=Nx0.101972

ⓘ For orders larger than indicated quantity, please request a quotation.

Lubrication Unit MX realizes maintenance free.

■ **Features:** A design that reduces linear bushing assembly steps. Four mounting holes enable solid mounting with the load.

MISUMI Original



ⓘ No need to fill with grease prior to use because the product is already filled with lithium soap-based grease in addition to the built-in lubrication unit.

■ Wide Block Type

Part Number	Type	dr	Tolerance	L	L1		h	H (H1)	(H2)	W	W1	W2	M	d	l	(A)	(B)	N	Basic Load Rating				Allowable Static Moment (N·m)	Mass (g)	Single		Double											
					C (Dynamic) N														Co (Static) N		Unit Price	Volume Discount Rate			Unit Price	Volume Discount Rate												
					Single	Double													Single	Double																		
10	LHBB-MX LHBBW-MX	45	0 -0.009	21	46	13	26	21	8	40	28	6	M5	4.3	12	0.4	7.5	372	588	549	1100	-	7.24	114	206	-9 pcs. 10-20 pcs. 1-9 pcs. 10-20 pcs.												
12		24	0 -0.010	26	50	15	28	24	4	42	30.5	5.75						7	M5	4.3	12	0.4	7.5	412	657		598	1200	-	10.9	125	233						
16		34	0 -0.010	34	60	19	38.5	32.5	9	50	36	6						M6	5.2	10	0.85	6.5	775	1230	1180		2350	-	19.7	268	450							
20		40	0 -0.012	40	70	21	41	35	11	54	40	7											M6	5.2	10		0.85	6.5	882	1400	1370	2740	-	26.8	310	647		
25		50	0 -0.012	50	100	26	51.5	42	12	76	54	11											M8	7	18		1.5	5.5	980	1560	1570	3140	-	43.4	717	1339		
30		60	0 -0.012	60	120	34	68	54	18	90	70	10						M8	7	18	1.5	5.5							1570	2490	2740	5490	-	82.8	891	1665		
35		70	0 -0.012	70	140	40	78	62	20	102	80	11	M10	8.7	25	2.5	5.5	53	6	1670	2650	3140							6270	-	110	1314	2448					
40		80	0 -0.012	80	160	40	78	62	20	102	80	M10						8.7	25	2.5	5.5	2160	3430	4020	8040		-	147	1873	3526								
50		138	0 -0.012	138	243	80	160	102	80	25	122											100	M10	8.7	25		2.5	5.5	3820	6080	7940	15900	-	397	3823	7256		

ⓘ For Precautions for Use, see P.303.

kgf=Nx0.101972

ⓘ For orders larger than indicated quantity, please request a quotation.



Ordering Example
Part Number
LHSS-MX16
LHBBW-MX25

ⓘ Various Grease Application Services are not applicable.

Linear Ball Bushings

Single/Double - Flanged Single/Double

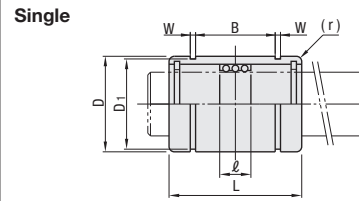
■ **Features:** Capable of rotary motion, finite linear motion, and the combination of both.

Industry Standard

Type	Type	Outer Cylinder		Balls	Retainer	Ambient Operating Temp.	* Retaining Ring Material: SUS301
		Material	Hardness				
Single	LBUS	SUJ2 Equivalent	58HRC~	SUJ2 Equivalent	A5052S	-20~110°C	
	LBW						
Double	SLBUS	SUS440C Equivalent	56HRC~	SUS440C Equivalent	A5052S	-20~120°C	
	SLBW						



RoHS10



Part Number	Type	dr	Tolerance	Maximum Stroke	Number of Ball Rows	l		D	L	B	W	D1	r	Basic Load Rating				Allowable Static Moment (N·m)	Mass (g)	Unit Price					
						C (Dynamic) N								Co (Static) N		Unit Price	Volume Discount Rate			Unit Price	Volume Discount Rate				
LBUS LBW	Single	5	0 -0.008	13	6	5.9	9.4	10	0	15	8	9.6	131	209	106			212	-			1.38	4	5	
		6	0 -0.008	15	7	8.3	12.3	12	0	19	11.3	1.1	11.5	210	333	164	328	-	2.18	8	8				
		8	0 -0.009	24	8	8.8	16.8	15	-0.011	24	15.3	14.3	323	512	278	556	-	4.31	15	17					
	Double	10	0 -0.009	30	8	10.8	21.8	19	0	29	19.4	18	499	793	408	815	-	7.24	30	33					
		12	0 -0.009	32	8	10.4	22.4	21	0	30	20.4	1.3	20	722	1146	579	1157	-	10.9	32	36				
		13	0 -0.010	34	10	11.4	23.4	23	-0.013	32	20.4	0.8	22	773	1226	634	1268	-	11.6	45	49				

ⓘ For Precautions for Use, see P.303. ⓘ Select Height-adjusting Spacers for Flanged Bushings from P.303.

kgf=Nx0.101972

■ **Features:** Capable of rotary motion, finite linear motion, and the combination of both. Bolt-on flange offers assembly convenience.

Industry Standard

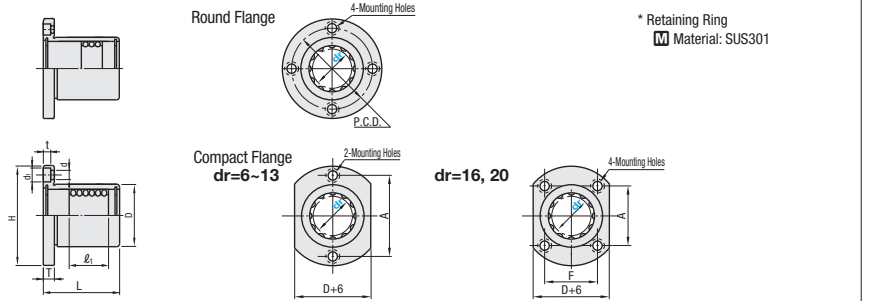
Type	Type	Outer Cylinder		Balls	Retainer	Ambient Operating Temp.	* Retaining Ring Material: SUS301
		Round Flange	Compact Flange				
Single	LBHR	SUJ2	58HRC~	SUJ2	A5052S	-20~110°C	
	LBHC						
Double	LBHRW	Equivalent	58HRC~	SUJ2	A5052S	-20~110°C	
	LBHCW						



Single Type



Double Type



dr	Tolerance	Maximum Stroke	Number of Ball Rows	l1		D	L	H	T	d	d1	t	P.C.D.	F	A	Eccentricity	Perpendicularity	Basic Load Rating				Allowable Static Moment (N·m)		
				C (Dynamic) N														Co (Static) N		Unit Price	Volume Discount Rate		Unit Price	Volume Discount Rate
6		15	7	8.3	12.3	12	0	19	28	5	3.5	6	3.1	20	-	20	0.012	0.012	210			333		
8		24	8	8.8	16.8	15	-0.013	24	32	4	4	4	4	24	-	24	0.012	0.012	323	512	278	556	-	4.31
10	0 -0.009	30	8	10.8	21.8	19	0	29	40	6	4.5	7.5	4.1	29	-	29	0.012	0.012	499	793	408	815	-	7.24
12		32	8	10.4	22.4	21	0	30	42	6	4.5	7.5	4.1	32	-	32	0.012	0.012	722	1146	579	1157	-	10.9
13		34	10	11.4	23.4	23	-0.016	32	43	8	5.5	9	5.1	33	-	33	0.015	0.015	773	1226	634	1268	-	11.6
16		40	16	12.8	24.8	28	0	37	48	8	5.5	9	5.1	38	22	31	0.015	0.015	1330	2112	1029	2058	-	19.7
20	0 -0.010	46	28	14.8	23.8	32	0 -0.019	42	54	8	5.5	9	5.1	43	24	36	0.015	0.015	1609	2554	1517	3035	-	26.8

ⓘ For Precautions for Use, see P.303.

ⓘ Perpendicularity of D to flange mounting surface kgf=Nx0.101972

■ Single

Part Number	Type	dr	Unit Price		Mass (g)	
			LBHR	LBHC	Round	Compact
LBHR LBHC	Single	6			23	20
		8			41	37
		10			71	63
		12			67	59
		13			87	80
		16			119	111

■ Double

Part Number	Type	dr	Unit Price		Mass (g)	
			LBHRW	LBHCW	Round	Compact
LBHRW LBHCW	Double	6			24	21
		8			43	39
		10			74	66
		12			71	63
		13			91	84
		16			126	118

