



# Shaft Collar Standard / Compact with Urethane Clamp / Split

**Features:** Standard with Urethane: Reduces noises generated by metal-to-metal contact.  
Compact with Urethane: Smaller by up to 44% in width (B dimension) and 25% in O.D. (D<sub>1</sub> dimension) than Standard Type with Urethane.

**Standard with Urethane, Clamp Type**

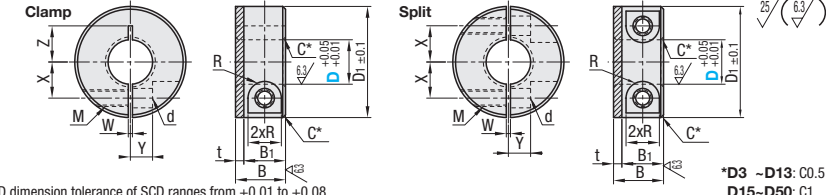


**Standard with Urethane, Split Type**



Type	Clamp	Split	Material	Surface Treatment	Accessory
SCD	SCSPD		S45C Equivalent	Black Oxide Coating	Clamp: Hex Socket Head Cap Screw 1 pc. Split: Hex Socket Head Cap Screw 2 pcs. M3CM435 Equivalent
PSCD	PSCSPD		SUS304	Electroless Nickel Plating	Clamp: Hex Socket Head Cap Screw 1 pc. (SUS) Split: Hex Socket Head Cap Screw 2 pcs. (SUS) M3SUS304 Equivalent
SSCD	SSCSPD		SUS304	-	M3SUS304 Equivalent

ⓂMaterial: Urethane  
ⓂMaterial: Hardness Clamp : Shore A70: No.3-6 (Ester Type)  
: Shore A90: No.8-50 (Ether Type)  
Split : Shore A70 (Ester Type)  
(Allowable Temperature: 70°C)  
ⓈUrethane Rubber Features P.2-389




\*D3 ~D13: C0.5  
D15~D50: C1


D dimension tolerance of SCD ranges from +0.01 to +0.08.

Part Number Type	D	B	D <sub>1</sub>	B <sub>1</sub>	t	M (Coarse)	d	R	W	X	Y	Z	Unit Price											
													Clamp Type						Split					
													SCD	PSCD	SSCD	SCSPD	PSCSPD	SSCSPD						
*3	10	15	8	2	M3	3.4	3	1.0	4.5	3	3~5	-	-	-	-	-	-							
*4	12	20	10	2	M4	4.5	3.75	1.0	6	4	3.5~6	-	-	-	-	-	-							
*5	12	20	10	2	M4	4.5	3.75	1.0	6	4	6~7	-	-	-	-	-	-							
6	18	30	15	3	M6	7	6	1.5	9	5	6~6.5	-	-	-	-	-	-							
8	18	35	15	3	M6	7	6	1.5	10	6	7~10	-	-	-	-	-	-							
10	18	35	15	3	M6	7	6	1.5	10	6	8~12.5	-	-	-	-	-	-							
12	18	35	15	3	M6	7	6	1.5	11	6	9~12.5	-	-	-	-	-	-							
13	20	45	15	3	M6	7	6	1.5	11	8	10~12.5	-	-	-	-	-	-							
15	20	45	15	3	M6	7	6	1.5	13	8	11~13	-	-	-	-	-	-							
16	20	45	15	3	M6	7	6	1.5	15	8	11~13	-	-	-	-	-	-							
20	20	50	15	3	M6	7	6	1.5	18	10	13~15	-	-	-	-	-	-							
25	20	50	15	3	M6	7	6	1.5	20	10	16~18	-	-	-	-	-	-							
30	20	55	15	3	M6	7	6	1.5	23	12	15~20	-	-	-	-	-	-							
*35	23	70	18	5	M8	9	7	2.0	26	13	17.5~21	-	-	-	-	-	-							
*40	27	85	22	5	M10	11	9	2.0	32	16	20~23	-	-	-	-	-	-							
*50	27	85	22	5	M10	11	9	2.0	32	16	25~28	-	-	-	-	-	-							

**Compact with Urethane, Clamp Type**

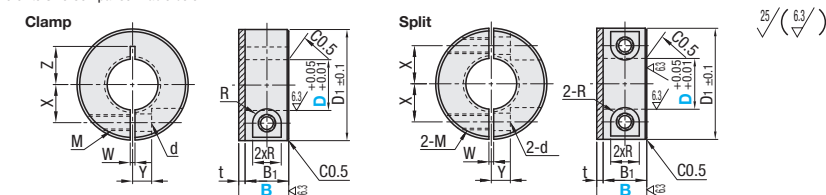


**Compact with Urethane, Split Type**



Type	Clamp	Split	Material	Surface Treatment	Accessory
SCDJ	SCSPDJ		S45C Equivalent	Black Oxide Coating	Clamp: Hex Socket Head Cap Screw 1 pc. Split: Hex Socket Head Cap Screw 2 pcs. M3CM435 Equivalent
PSCDJ	PSCSPDJ		SUS304	Electroless Nickel Plating	Clamp: Hex Socket Head Cap Screw 1 pc. (SUS) Split: Hex Socket Head Cap Screw 2 pcs. (SUS) M3SUS304 Equivalent
SSCDJ	SSCSPDJ		SUS304	-	M3SUS304 Equivalent

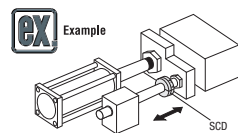
ⓂMaterial: Ester Urethane  
ⓂMaterial: Hardness: Shore A70  
(Allowable Temperature: 70°C)  
ⓈUrethane Rubber Features P.2-389



Refer to Size Comparison Table below.

Part Number Type	D	B Selection	D <sub>1</sub>	B <sub>1</sub>	t	M (Coarse)	d	R	W	X	Y	Z	Unit Price											
													Clamp Type						Split					
													SCDJ	PSCDJ	SSCDJ	SCSPDJ	PSCSPDJ	SSCSPDJ						
8	10	10	25	8	2	M3	3.4	3	1.5	8	5	7~9	-	-	-	-	-	-						
10	10	10	30	8	2	M3	3.4	3	1.5	9	5	8~10	-	-	-	-	-	-						
12	12	12	30	8	2	M3	3.4	3	1.5	10	5	9~10	-	-	-	-	-	-						
16	12	12	35	10	2	M4	4.5	3.75	1.5	12	6	11~12	-	-	-	-	-	-						
20	13	13	40	10	2	M4	4.5	3.75	1.5	14	6	13	-	-	-	-	-	-						
25	15	15	45	12	3	M5	5.5	4.5	2	17	7	16~20	-	-	-	-	-	-						
30	15	15	45	12	3	M5	5.5	4.5	2	20	6	18~20	-	-	-	-	-	-						
*40	21	21	60	18	3	M8	9	7	3	25	6	23	-	-	-	-	-	-						
*50	21	21	80	18	3	M8	9	7	3	32	15	28	-	-	-	-	-	-						

Ordering Example: **Part Number** - B  
SCSPD8 - 10  
SCDJ8 - 10  
SCSPDJ10 - 10




**Size Comparison Table**

D	Size Differences		Compact		Standard	
	B (Thickness)	D <sub>1</sub> (O.D.)	B (Thickness)	D <sub>1</sub> (O.D.)	B (Thickness)	D <sub>1</sub> (O.D.)
8	-8	-5	10	25	18	30
10	-8	-5	10	30	18	35
12	-8	-10	10	30	18	40
16	-6	-5	12	35	18	40
20	-7	-5	13	40	20	45
25	-5	-5	15	45	20	50
30	-5	-5	15	50	20	55
40	-8	-10	15	60	23	70
50	-6	-5	21	80	27	85

# Shaft Collar Threaded Inserts (Lightweight) Plastic / Aluminum

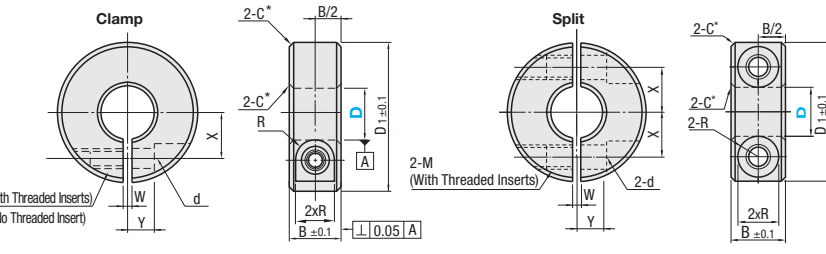
**Features:** Aluminum or plastic collars are lighter than those of steel or stainless steel.  
Collars with threaded inserts have improved screw thread strength.

**Plastic**



Type	Clamp	Split	Material	Color	Operating Ambient Temperature	Accessory	Threaded Insert Material
SCSPH	SCSPP		Polyacetal	White	-45°C~95°C	Hex Socket Head Cap Screw (SUS304 Equivalent) Clamp Type: 1 pc. Split Type: 2 pcs.	SUS304
SCSMH	SCSPM		MC Nylon	Ivory	-40°C~120°C		Not provided
SCSPO	-		Polyacetal	White	-45°C~95°C		Not provided

\*D8~D25: C0.5  
D30: C1




M (With Threaded Inserts)  
M (No Threaded Insert)

Part Number Type	D	B	D <sub>1</sub>	M (Coarse)	d	R	W	X	Y	Z	Unit Price			
											Clamp Type		Split	
											SCSPH	SCSMH	SCSPP	SCSPM
8	10	15	8	M3	3.4	3	1.5	7	5	7	-	-	-	-
10	10	15	8	M3	3.4	3	1.5	7	5	7	-	-	-	-
12	12	20	10	M4	4.5	3.75	1.5	9	5	9	-	-	-	-
15	12	20	10	M4	4.5	3.75	1.5	9	5	10	-	-	-	-
16	12	20	10	M4	4.5	3.75	1.5	9	5	10	-	-	-	-
20	15	30	12	M5	5.5	4.5	1.5	12	6	12	-	-	-	-
25	15	30	12	M5	5.5	4.5	1.5	12	6	12	-	-	-	-
30	15	30	12	M5	5.5	4.5	1.5	12	6	12	-	-	-	-

The halves must remain in the same orientation as shipped when in use.

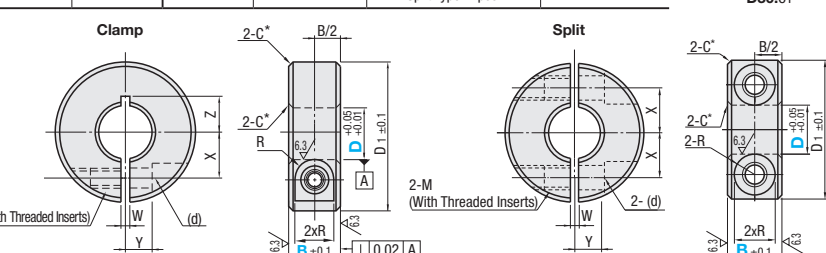
Part Number Type	D	B	D <sub>1</sub>	d	M (Coarse)	R	W	X	Y	Z	Unit Price
											SCSPO
10	10	15	8	4.5	M4	3.75	1.5	9	5	9	-
12	12	20	10	4.5	M4	3.75	1.5	9	5	10	-
13	12	20	10	4.5	M4	3.75	1.5	9	5	10	-
15	15	30	12	5.5	M5	4.5	1.5	13	8	13	-
16	15	30	12	5.5	M5	4.5	1.5	13	8	13	-
20	15	30	12	5.5	M5	4.5	1.5	13	8	13	-
25	15	30	12	5.5	M5	4.5	1.5	13	8	13	-
30	15	30	12	5.5	M5	4.5	1.5	13	8	13	-

**Aluminum Type**



Type	Clamp	Split	Material	Surface Treatment	Accessory	Threaded Insert Material
SCSAH	SCNPAH		2000series Aluminum Alloy	-	Hex Socket Head Cap Screw (SUS304 Equivalent) Clamp Type: 1 pc. Split Type: 2 pcs.	SUS304

\*D8~D25: C0.5  
D30: C1



M (With Threaded Inserts)

Part Number Type	D	B Selection	D <sub>1</sub>	M (Coarse)	d	R	W	X	Y	Z	Unit Price	
											Clamp Type	
											SCSAH	SCNPAH
8	10	10	25	M3	3.2	3	1.5	7	5	7	-	-
10	10	10	30	M3	3.2	3	1.5	7	5	7	-	-
12	12	12	30	M3	3.2	3	1.5	7	5	7	-	-
15	12	12	34	M4	4.2	3.75	1.5	9	5	9	-	-
16	12	12	34	M4	4.2	3.75	1.5	9	5	9	-	-
20	15	15	40	M5	5.3	4.5	1.5	11.5	6	10	-	-
25	15	15	40	M5	5.3	4.5	1.5	11.5	6	10	-	-
30	15	15	45	M5	5.3	4.5	1.5	12	6	11	-	-
30	15	15	55	M6	6.3	6	1.5	14	7	13	-	-
30	15	15	55	M6	6.3	6	1.5	17	7	16	-	-
30	15	15	55	M6	6.3	6	1.5	20	10	18	-	-

(d) bore surface will have threads from installing the inserts.

Ordering Example: **Part Number** - B  
SCSPH12 - 10  
SCSPP12 - 10  
SCSAH20 - 10