


# Shaft Collar Clamp

## Standard

■ Features: Less shaft damage from tightening than Set Screw Type P267.

**Standard**



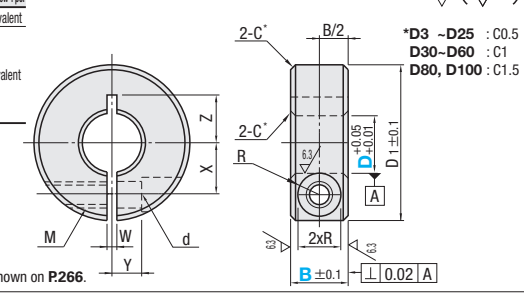
RoHS 10

Type	Material	Surface Treatment	Accessory
SCS	S45C	Black Oxide Coating	Hex Socket Head Cap Screw 1 pc.
PSCS	Equivalent	Electroless Nickel Plating	MSCM435 Equivalent
SSCS	SUS304 Equivalent	-	MSUS304 Equivalent
SCSA	2000series Aluminum Alloy	Clear Anodize	-
SCSAB	-	Black Anodize	-

Ⓜ A2017 Threaded Insert Type P236

Ⓜ For Mount Hole Type, see P291.

Ⓜ Maximum thrust loads obtained by tightening test are shown on P266.



\*D3 -D25 : C0.5  
D30 -D60 : C1  
D80, D100 : C1.5

B ±0.1 | L 0.02 A

Part Number Type	D	B Selection	D <sub>1</sub>	M (Coarse)	d	R	W	X	Y	Z	Unit Price						
											SCS	PSCS	SSCS				
Standard SCS PSCS SSCS	3	8	16	M3	3.4	3	1	4.5	2.2	3-5							
	4	8	18					5	3	3.5-6							
	5	8	20					5.5	4	5-6.5							
		10	22	6.5	6-7												
	6	8	20	M3	3.4	3		1.5	6		6-6.5						
		10	20	M4	4.5	3.75			6								
	8	8	25	M3	3.4	3	9		8		7-9						
		10	25	M4	4.5	3.75			5	10	7-10						
		12	25	M5	5.5	4.5					6	11	8-10				
		15	25	M6	6.6	6											
	10	8	30	M3	3.4	3	10	10	5	9-10							
		10	30	M4	4.5	3.75											
		12	30	M5	5.5	4.5											
		15	30	M6	6.6	6											
	12	8	30	M3	3.4	3	11	6	6	9-12							
		10	30	M4	4.5	3.75											
12		30	M5	5.5	4.5												
15		30	M6	6.6	6												
13	10	30	M4	4.5	3.75	12	6	8	11-12								
	12	34	M5	5.5	4.5												
	15	35	M6	6.6	6												
	20	34	M4	4.5	3.75												
15	12	35	M5	5.5	4.5	13	6	8	10-11								
	15	40	M6	6.6	6												
	20	35	M5	5.5	4.5												
	25	40	M6	6.6	6												
16	10	35	M5	5.5	4.5	14	7	7	16								
	12	35	M6	6.6	6												
	15	35	M5	5.5	4.5												
	20	35	M6	6.6	6												
18, 20	10	40	M5	5.5	4.5	15	8	8	11-13								
	12	40	M6	6.6	6												
	15	40	M5	5.5	4.5												
	20	40	M6	6.6	6												
25	12	50	M6	6.6	6	16	7	7	16-18								
	15	50	M5	5.5	4.5												
	20	50	M6	6.6	6												
	25	50	M8	9	7												
30	15	55	M6	6.6	6	17	10	10	16-20								
	20	55	M6	6.6	6												
	25	55	M8	9	7												
	30	55	M6	6.6	6												
35	15	60	M8	9	7	18	12	12	21								
	20	60	M6	6.6	6												
	25	60	M8	9	7												
	30	60	M6	6.6	6												
40	18	70	M8	9	7	19	13	13	23								
	22	70	M10	11	9												
	25	70	M8	9	7												
	30	70	M6	6.6	6												
50	22	85	M10	11	9	20	16	16	28								
	25	85	M10	11	9												
	30	85	M10	11	9												
	35	85	M10	11	9												

\*1. B Dimension 20 is available for SCS only. (Not available when D18 is selected.) \*2. D Dimension 60, 80 and 100 are available for SCS only. No Clamp machining on Z section.

Part Number Type	D	B Selection	D <sub>1</sub>	M (Coarse)	d	R	W	X	Y	Z	Unit Price							
											SCSA	SCSAW	SCSAB					
Standard SCSA SCSAW SCSAB	3	8	16	M3	3.4	3	1	4.5	2.2	3								
	4	8	18					5	3	3.5								
	5	8	20					5.5	4	5								
	6	8	20	6	4	6												
		10	22	6.5		6-7												
	8	8	25	M3	3.4	3		1.5	9	5	8							
		10	25	M4	4.5	3.75	10					10	7	7				
		12	25	M5	5.5	4.5							11	11	8	8		
		15	25	M6	6.6	6												
	10	8	30	M3	3.4	3	10	10	5	9-10								
		10	30	M4	4.5	3.75												
		12	30	M5	5.5	4.5												
		15	30	M6	6.6	6												
	12	8	30	M3	3.4	3	11	6	6	10-11								
		10	30	M4	4.5	3.75												
		12	30	M5	5.5	4.5												
15		30	M6	6.6	6													
13	10	30	M4	4.5	3.75	12	6	8	11-12									
	12	34	M5	5.5	4.5													
	15	35	M6	6.6	6													
	20	34	M4	4.5	3.75													
15	12	35	M5	5.5	4.5	13	6	8	10-11									
	15	40	M6	6.6	6													
	20	35	M5	5.5	4.5													
	25	40	M6	6.6	6													
16	10	35	M5	5.5	4.5	14	7	7	16									
	12	35	M6	6.6	6													
	15	35	M5	5.5	4.5													
	20	35	M6	6.6	6													
18, 20	10	40	M5	5.5	4.5	15	8	8	11-13									
	12	40	M6	6.6	6													
	15	40	M5	5.5	4.5													
	20	40	M6	6.6	6													
25	12	50	M6	6.6	6	16	7	7	16-18									
	15	50	M5	5.5	4.5													
	20	50	M6	6.6	6													
	25	50	M8	9	7													
30	15	55	M6	6.6	6	17	10	10	16-20									
	20	55	M6	6.6	6													
	25	55	M8	9	7													
	30	55	M6	6.6	6													
35	15	60	M8	9	7	18	12	12	21									
	20	60	M6	6.6	6													
	25	60	M8	9	7													
	30	60	M6	6.6	6													
40	18	70	M8	9	7	19	13	13	23									
	22	70	M10	11	9													
	25	70	M8	9	7													
	30	70	M6	6.6	6													
50	22	85	M10	11	9	20	16	16	28									
	25	85	M10	11	9													
	30	85	M10	11	9													
	35	85	M10	11	9													


Ordering Example Part Number - B SCS10 - 10

# Shaft Collar Clamp

## Compact

■ Features: Smaller by up to 33% in width (B dimension) and 16% in O.D. (D<sub>1</sub> dimension) than Standard Type P269.

**Compact**



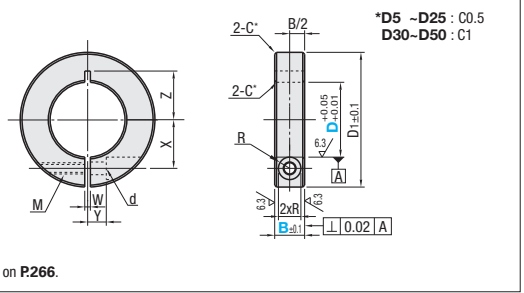
RoHS 10

Type	Material	Surface Treatment	Accessory
SCSJ	S45C	Black Oxide Coating	Hex Socket Head Cap Screw 1 pc.
PSCSJ	Equivalent	Electroless Nickel Plating	MSCM435 Equivalent
SSCSJ	SUS304 Equivalent	-	MSUS304 Equivalent

Ⓜ A2017 Threaded Insert Type P236

Ⓜ For Mount Hole Type, see P291.

Ⓜ Maximum thrust loads obtained by tightening test are shown on P266.



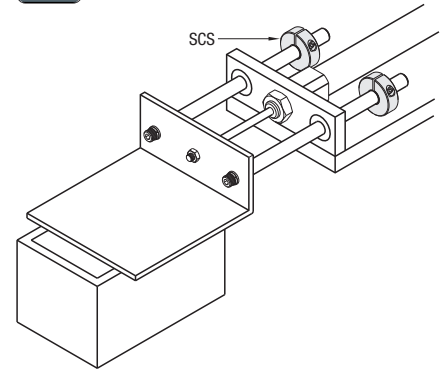
\*D5 -D25 : C0.5  
D30 -D50 : C1

B ±0.1 | L 0.02 A

Part Number Type	D	B	D <sub>1</sub>	M (Coarse)	d	R	W	X	Y	Z	Unit Price								
											SCSJ	PSCSJ	SSCSJ						
(Compact) SCSJ PSCSJ SSCSJ	5	6	16	M2.6	2.9	2.45	1	5.5	3	6									
	6		18					6		6.5									
	8		22					7											
	10	25	8	9															
		12	25		9														
	13	8	28	M3	3.4	3		1.5		11	11	11							
			15				30		11.5										
			16				35		13				5	13					
			20				35		16.5										
	25	10	42	M4	4.5	3.75	2	20	20	21									
			30								50	22.5	6	23					
			35								55	M5			5.5	4.5			
			40								60	25							
	50	18	80	M8	9	7	3	32	15	28									

Ordering Example Part Number - B PSCSJ5 - 6

EX Example



Size Comparison Table

D	Size Differences		Compact		Standard (P269)	
	B (Thickness)	D <sub>1</sub> (O.D.)	B (Thickness)	D <sub>1</sub> (O.D.)	B (Thickness)	D <sub>1</sub> (O.D.)
5	-2	-4	6	16	8	20
6	-2	-2	6	18	8	20
8	-2	-3	6	22	8	25
10	-2	-5	6	25	8	30
12	-2	-5	6	25	8	30
13	-2	-2	8	28	10	30
15	-2	-4	8	30	10	34
16	-2	-5	8	30	10	35
20	-2	-5	8	35	10	40
25	-2	-3	10	42	12	45
30	-3	-5	12	50	15	55