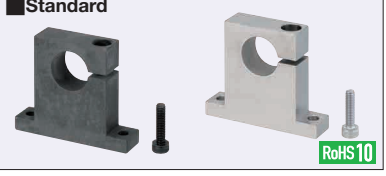


Shaft Supports T-Shaped Side Slit (Machined)

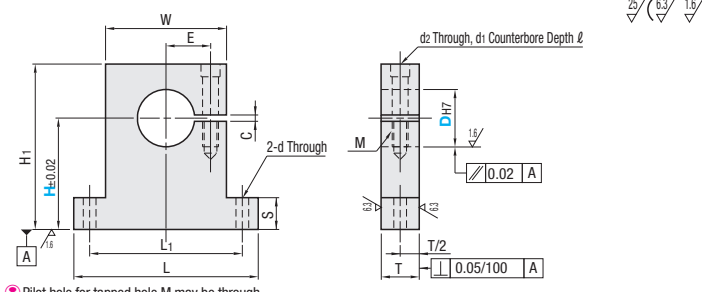
Standard / Wide

■ Features: Shafts can be secured without damage. Each screw can be fixed from above.

■ Standard



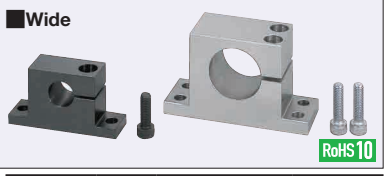
RoHS10



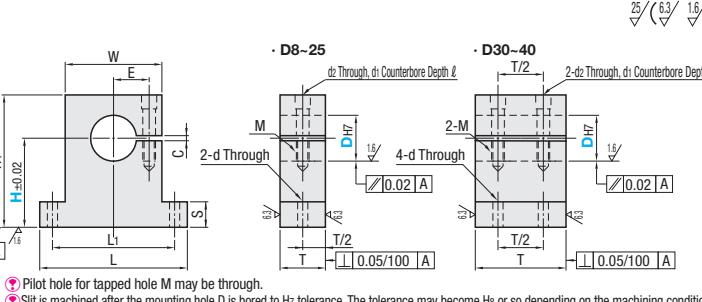
⊙ Pilot hole for tapped hole M may be through.
 ⊙ Slit is machined after the mounting hole D is bored to H_r tolerance. The tolerance may become H_s or so depending on the machining condition.

Part Number	H		L	H ₁	T	S	W	L ₁	d	E	Tightening Screw M	d ₂	d ₁	ℓ	C	Unit Price						
	Type	Height H Selectable Type														Height H Configurable Type 0.1mm Increment	Height H Selectable Type	Height H Configurable Type	Height H Selectable Type	Height H Configurable Type		
Height H Selectable SHWTB SHWTM SHWTS SHWTA	8	10 15 20 25 30 40	10.0~40.0	44	H+7		28	36		9	M4 Depth 8	4.5	8	4.5	2	SHWTB	SHWTM	SHWTS	SHWTA			
	10	10 15 20 25 30	10.0~30.0	50	H+9	12	6	32	41	4.5		11										
	12	10 15 20 25 30	10.0~30.0	50	H+10																	
	13	15 20 25 30	15.0~30.0	50	H+11																	
	16	15 20 25 30 40	15.0~40.0	50	H+12																	
Height H Configurable SHWTBH SHWTMH SHWTSB SHWTAH	20	20 25 30 40 50 60	20.0~60.0	75	H+15	16	8	49	62	6.5	M6 Depth 12	6.6	11	6.5	2							
	25	20 25 30 40 50 60	20.0~60.0	94	H+18																	
	30	25 30 40 50 60	25.0~60.0	98	H+21	20	10	66	82	9		M8 Depth 16	9	14		9	3					
	35	25 30 40 50 60	25.0~60.0	98	H+24																	
	40	30 40 50 60 80	30.0~80.0	103	H+27																	

■ Wide



RoHS10

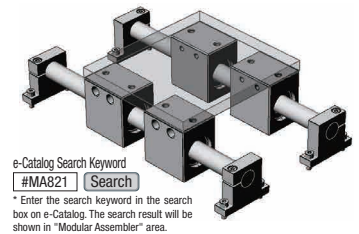


⊙ Pilot hole for tapped hole M may be through.
 ⊙ Slit is machined after the mounting hole D is bored to H_r tolerance. The tolerance may become H_s or so depending on the machining condition.

Part Number	Type	D	H Selection		L	H ₁	T	S	W	L ₁	d	E	Tightening Screw M	d ₂	d ₁	ℓ	C	Unit Price					
			SHWTB	SHWTM														SHWTS	SHWTA				
SHWTB	8	10 15 20 25 30 40			62	H+10	15						M6 Depth 12	6.6	11	6.5	2						
	10	10 15 20 25 30 40 50 60				H+11																	
	12	10 15 20 25 30 40 50 60				H+12	18	6	38	50	6.6	12											
	13	15 20 25 30 40 50 60				H+14	20																
	15	15 20 25 30 40 50 60				H+18	25	8	53	70	9	18											
	16	15 20 25 30 40 50 60				H+21	35	10	66	86	6.6	24											
	20	20 25 30 40 50 60 80				H+24	106							M8 Depth 16	9	14		9	3				
	25	20 25 30 40 50 60 80				H+27	111																
	30	25 30 40 50 60 80																					
	35	25 30 40 50 60 80																					
40	40 50 60 80																						

Ordering Example: Part Number - H
 SHWTB8 - 25
 SHWTM10 - 25.6
 SHWTS15 - 40

ex Combination of these app. examples can be selected on our website. Details about Selection Procedure P.87

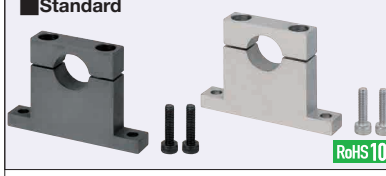


Shaft Supports T-Shaped Split (Machined)

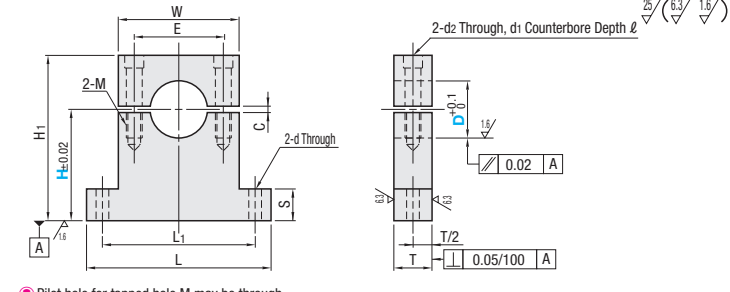
Standard / Wide

■ Features: Shaft Supports are removable and thus, facilitate maintenance.

■ Standard



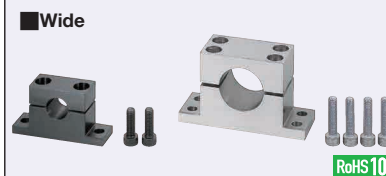
RoHS10



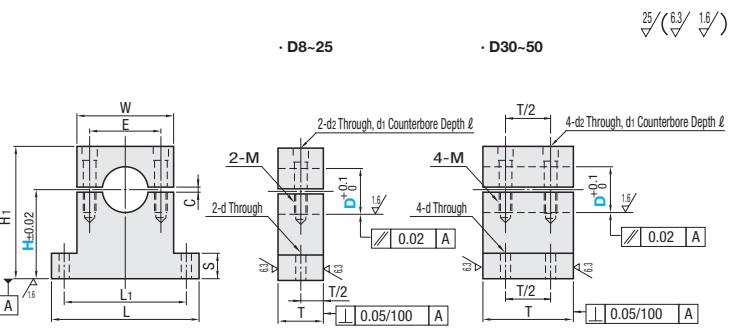
⊙ Pilot hole for tapped hole M may be through.

Part Number	Type	D	H		L	H ₁	T	S	W	L ₁	d	E	Tightening Screw M	d ₂	d ₁	ℓ	C	Unit Price					
			SHPTB	SHPTM														SHPTS	SHPTA				
Height H Selectable SHPTB SHPTM SHPTS SHPTA	3	10 15 20	10.0~20.0	38	H+6	8	4	22	30	3.5	13		M3 Depth 6	3.5	6.5	3.5	1.5						
	4	10 15 20 25	10.0~25.0	50	H+7																		
	5	10 15 20 25	10.0~25.0	50	H+10	10	6	38	50	4.5	26			M4 Depth 8	4.5	8	4.5	2					
	8	10 15 20 25 30 40	10.0~40.0	50	H+12																		
	10	10 15 20 25 30	10.0~30.0	50	H+17	16	8	50	66	6.6	36				M6 Depth 12	6.6	11		6.5	3			
12	10 15 20 25 30	10.0~30.0	50	H+20																			
Height H Configurable SHPTBH SHPTMH SHPTSH SHPTAH	13	15 20 25 30	15.0~40.0	82	H+17	20	10	70	90	9	48		M8 Depth 16	9	14	9	3						
	16	15 20 25 30 40	15.0~40.0	82	H+20																		
	20	20 25 30 40 50 60	20.0~60.0	110	H+30	25	15	102	128	14	76			M12 Depth 24	14	20		13	3				
	25	20 25 30 40 50 60	20.0~60.0	116	H+40																		
	30	25 30 40 50 60	25.0~60.0	116	H+40																		
40	30 40 50 60 80	30.0~80.0	154	H+40																			

■ Wide



RoHS10



⊙ Pilot hole for tapped hole M may be through.

Part Number	Type	D	H Selection		L	H ₁	T	S	W	L ₁	d	E	Tightening Screw M	d ₂	d ₁	ℓ	C	Unit Price					
			SHPTB	SHPTM														SHPTS	SHPTA				
SHPTB	8	10 15 20 25 30 40			62	H+10	15						M6 Depth 12	6.6	11	6.5	2						
	10	10 15 20 25 30 40 50 60				H+11																	
	12	10 15 20 25 30 40 50 60				H+12	18	6	38	50	6.6	12											
	13	15 20 25 30 40 50 60				H+14	20																
	15	15 20 25 30 40 50 60				H+18	25	8	53	70	9	18											
	16	15 20 25 30 40 50 60				H+21	35	10	66	86	6.6	24											
	20	20 25 30 40 50 60 80				H+24	106							M8 Depth 16	9	14		9	3				
	25	20 25 30 40 50 60 80				H+27	111																
	30	25 30 40 50 60 80																					
	35	25 30 40 50 60 80																					
40	30 40 50 60 80																						

Ordering Example: Part Number - H
 SHPTM8 - 25
 SHPTM15 - 25.6
 SHPTM25 - 40

ex Combination of these app. examples can be selected on our website. Details about Selection Procedure P.87

