

# Angle Plates

## Side A (Base Surface) Machining Configurable

**Features:** Can be used in even limited installation space because both the base surface (A dimension) and width (W dimension) can be specified. (Hole Dia. can be changed based on alteration.)

■ Hole Machining Selection **FB** (No Hole) ■ Hole Machining Selection **D** (Through Holes) ■ Hole Machining Selection **K** (Through Holes and Dowel Holes)

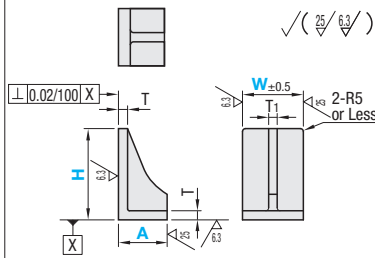


Type	Hole Machining Selection	Material	Surface Treatment
<b>IKC</b>	<b>FB</b> (No Hole)	FC250	Primer Paint (Gray)
<b>BIKC</b>	<b>D</b> (Through Holes)	FC250	Black Oxide
<b>MIKC</b>	<b>K</b> (Through Holes and Dowel Holes)	AC7A	Electroless Nickel Plating
<b>AIKC</b>	<b>K</b> (Through Holes and Dowel Holes)	AC7A	-

⊕ FC250: Surface treatment is not applied to the machined surfaces and holes.  
 ⊕ A dimension is ground from the gusset side. Please note that, as shown in the photo, no surface treatment is applied on the gusset side.  
 ⊗ BIKCK is not selectable.

RoHS10

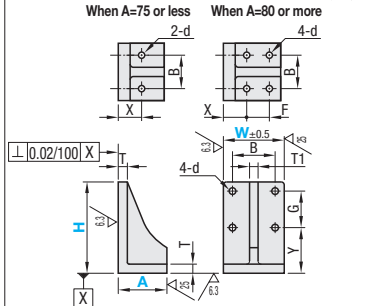
■ Hole Machining Selection **FB** (No Hole)



Type	H	Angle Plate Body		T	T <sub>1</sub>
		A 5mm Increment	W Selection		
<b>IKCFB</b>	100	50	75 80 100	15	14
		80-100	75 80 100	15	14
<b>BIKCFB</b>	150	65-75	60 75 100	15	14
		80-100	75 80 100	15	14
<b>MIKCFB</b>	200	65-75	60 75	15	14
		85-120	75 80 100	15	14
<b>AIKCFB</b>	250	85-120	-	18	15
		300	90-150	75 80 100	18
	350	90-150	-	18	15
		400	90-150	-	18

⊗ For AIKCFB, W60 is not available.

■ Hole Machining Selection **D** (Through Holes)

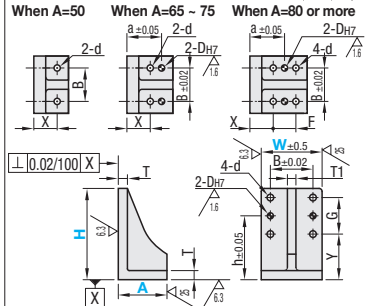


Type	H	Angle Plate Body		T	T <sub>1</sub>	Through Hole								
		A 5mm Increment	W Selection			d	B	X	F	Y	G			
<b>IKCD</b>	100	50	75 80 100	15	14	-	11	-	50	70	35	-	45	40
		80-100	75 80 100	15	14	9	11	40	50	70	35	A-50	75	60
<b>BIKCD</b>	150	65-75	60 75 100	15	14	-	11	-	50	70	40	A-50	-	75
		80-100	75 80 100	15	14	9	11	40	50	70	40	A-50	110	70
<b>MIKCD</b>	200	65-75	60 75	15	14	-	11	-	50	70	40	A-50	-	110
		85-120	75 80 100	15	14	9	11	40	50	70	40	A-50	140	90
<b>AIKCD</b>	250	85-120	-	18	15	-	11	-	50	70	40	A-55	190	90
		300	90-150	75 80 100	18	15	-	11	-	50	70	40	A-60	230
	350	90-150	-	18	15	-	11	-	50	70	40	A-60	260	120
		400	90-150	-	18	15	-	11	-	50	70	40	A-60	260

⊗ For AIKCD, W60 is not available.

⊕ Portions without specific dimensions are same as FB (No Hole Type).

■ Hole Machining Selection **K** (Through Holes and Dowel Holes)



Type	H	Angle Plate Body		T	T <sub>1</sub>	Through Hole							Dowel Hole		
		A 5mm Increment	W Selection			d	B	X	F	Y	G	Dh7	a	h	
<b>IKCK</b>	100	50	75 80 100	15	14	-	11	-	50	70	35	-	10	-	65
		80-100	75 80 100	15	14	9	11	40	50	70	35	A-50	6	10	105
<b>BIKCK</b>	150	65-75	60 75 100	15	14	9	11	40	50	70	40	A-50	6	10	105
		80-100	75 80 100	15	14	9	11	40	50	70	40	A-50	6	10	145
<b>MIKCK</b>	200	65-75	60 75	15	14	9	11	40	50	70	40	A-50	6	10	145
		85-120	75 80 100	15	14	9	11	40	50	70	40	A-55	140	90	
<b>AIKCK</b>	250	85-120	-	18	15	-	11	-	50	70	40	A-55	140	90	
		300	90-150	75 80 100	18	15	-	11	-	50	70	40	A-60	190	90
	350	90-150	-	18	15	-	11	-	50	70	40	A-60	230	100	
		400	90-150	-	18	15	-	11	-	50	70	40	A-60	260	120

⊗ For AIKCK, W60 is not available.

⊕ Portions without specific dimensions are same as FB (No Hole Type).

⊗ BIKCK is not selectable.

Ordering Example: Part Number - A - W  
 IKCFB100 - A85 - W75  
 MIKCK150 - A65 - W100

Alterations: Part Number - A - W - (MC)  
 IKCD100 - A85 - W75 - MC

Alteration	Code	Spec.
Side H Tapped Hole Change	MC	Changes the holes 4-d (through holes) on side H to tapped holes.
		d MC 9 MB 11 M10 Ordering Code MC

H	A	Unit Price										
		No Hole			Through Holes			Through Holes and Dowel Holes				
		FC250	AC7A		FC250	AC7A		FC250	AC7A			
100	50	IKCFB	BIKCFB	MIKCFB	AIKCFB	IKCD	BIKCD	MIKCD	AIKCD	IKCK	MIKCK	AIKCK
	80-100											
150	65-75											
	80-100											
200	65-75											
	85-120											
250	85-120											
	300	90-150										
350	90-150											
	400	90-150										

# Angle Plates

## Opposite Angle Dowel Holes / Wide

**Features:** Through hole diameter and dowel hole diameter are selectable. Select them depending on the application.

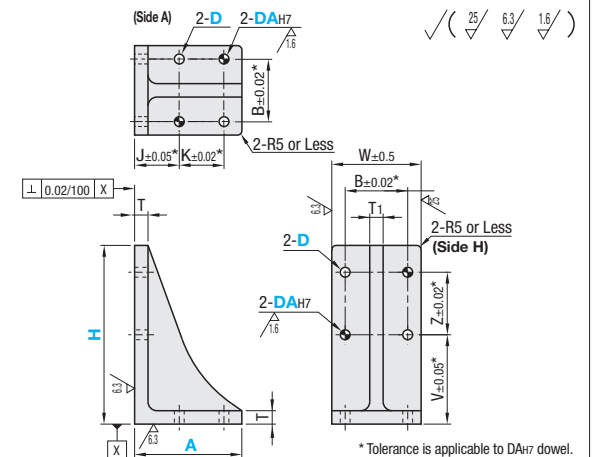
■ Opposite Angle Dowel Holes



Type	Material	Surface Treatment
<b>IKKB</b>	FC250	Primer Paint (Gray)
<b>AIKKB</b>	AC7A	-

⊕ FC250: Surface treatment is not applied to the machined surfaces and holes.

RoHS10



Part Number	Type	H	A	D Selection	DA Selection	Angle Plate Body			Side A and H		Side A		Side H		Unit Price	
						W	T	T <sub>1</sub>	B	J	K	V	Z	IKKB	AIKKB	
<b>IKKB</b> <b>AIKKB</b>	100	*50S	100	4 5 6	3 4 5	50	15	8	30	25	10	45	40	-	-	
				7 9 11	6 8 10	100	14	70	45	40	-	-				
		150	70	7 9 11	6 8 10	50	15	8	30	25	10	75	60	-	-	
						100	14	70	40	15	-	-				
			75	7 9 11	6 8 10	75	15	14	50	40	20	75	60	-	-	
						100	14	70	45	40	-	-				
	200	75	7 9 11	6 8 10	75	15	14	50	40	20	110	70	-	-		
					100	15	14	70	50	50	-	-				
		250	120	7 9 11	6 8 10	75	18	15	50	40	20	140	90	-	-	
						100	18	15	70	50	50	190	100	-	-	
			300	150	7 9 11	6 8 10	100	18	15	70	40	90	230	100	-	-
							150	18	15	70	40	90	260	120	-	-
400	150	7 9 11	6 8 10	100	18	15	70	40	90	260	120	-	-			
				150	18	15	70	40	90	260	120	-	-			

\* Except for A dimension, dimensions of A=50S is smaller than those of A=50.

Ordering Example: Part Number - A - D - DA  
 IKKB150 - A100 - D7 - DA10

**Features:** Can be used in height limited spaces.

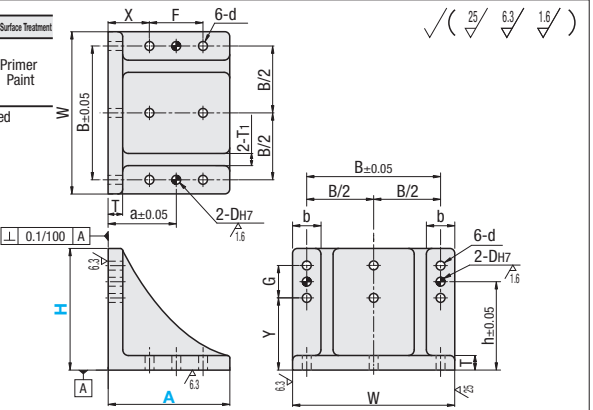
■ Wide



Type	Mounting Hole	Material	Surface Treatment
<b>WIKFB</b>	No Hole	FC250	Primer Paint
<b>WIKD</b>	With Mounting Hole	FC250	Primer Paint
<b>WIKK</b>	With Mounting Hole and Dowel Hole	FC250	Primer Paint

⊕ Surface treatment is not applied to the machined surfaces and holes.

RoHS10



Part Number	Type	H	A	W	T	T <sub>1</sub>	B	a	X	F	h	Y	G	Dh7	b	d	WIKFB	WIKD	WIKK
																	Unit Price	Volume Discount Rate	Unit Price
<b>WIKFB</b> <b>WIKD</b> <b>WIKK</b>	100	100	100	200	18	15	165	59	39	40	59	39	40	10	35	11	1-19 pcs	20-50	20-50
																	1-19 pcs	20-50	20-50
																	1-19 pcs	20-50	20-50

⊕ For orders larger than indicated quantity, please request a quotation.

Ordering Example: Part Number - A  
 WIKD100 - 100