

Angle Plates

Hole Position Configurable

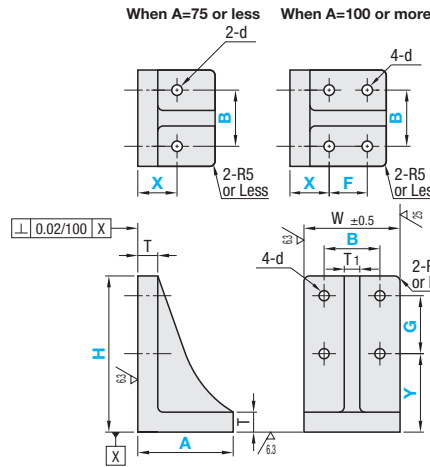
■ **Features:** Hole position on both the mounting surface (side H) and the base surface (side A) can be specified. (Hole Dia. can be changed based on alteration.)

Mounting Hole Configurable

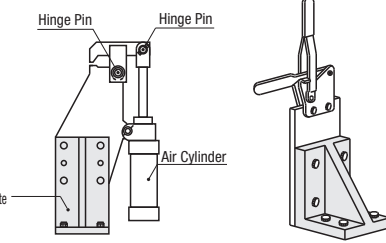
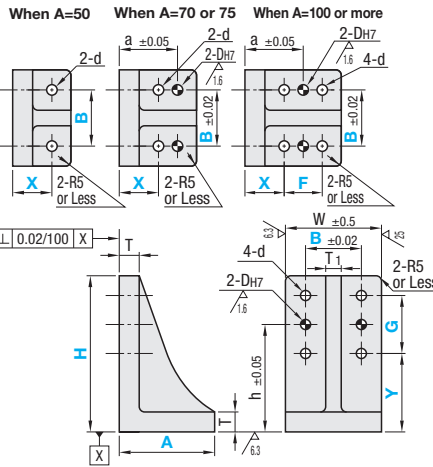
Through Hole	Through Holes and Dowel Holes	Material	Surface Treatment
IKDF	IKF	FC250	Primer Paint (Gray)
BIKDF	BIKF		Black Oxide
MIKDF	MIKF	AC7A	Electroless Nickel Plating
AIKDF	AIKF		-

⊙FC250: Surface treatment is not applied to the machined surfaces and holes.

Through Holes



Through Holes and Dowel Holes



■ Hole position can be specified according to the workpiece.



Ordering Example
Part Number - **A** - **B** - **X** - **F** - **Y** - **G**
 IKDF100 - A50S - - - - - Y40 - G40
 BIKDF150 - A70 - B60 - - - - - Y50 - G100
 AIKF150 - A100 - B60 - X35 - F40 - Y50 - G70

H	A	Unit Price							
		Through Holes			Through Holes and Dowel Holes				
		FC250	AC7A	FC250	AC7A	FC250	AC7A	FC250	AC7A
		IKDF	BIKDF	MIKDF	AIKDF	IKF	BIKF	MIKF	AIKF
100	50S								
	50								
	100								
150	50								
	70								
	100								
200	75								
	120								
250	120								
	300								
350	150								
	400								



Alterations
Part Number - **A** - **B** - **X** - **F** - **Y** - **G** - (MC, HK, HD, AK, AD)
 IKF200 - A120 - B70 - X40 - F40 - Y50 - G100 - MC - HD6

Through Holes

Part Number	Type	H	Angle Plate Body			Through Hole					Hole Dia.	
			A	W	T	T ₁	Side A and H		Side H			
							B	X	F	Y		G
IKDF (Primer Paint (Gray)) BIKDF (Black Oxide) MIKDF (Electroless Nickel Plating) AIKDF (Aluminum Casting)	100	50S	50	15	8	30	35	-	35~55	30~50	9	
			100	14	50~75	35~55	30~50	11				
			150	8	30	35	9					
	150	70	15	14	50~75	35~40	-	35~105	30~100	11		
		75	14	40~50	35~55	30~50	11					
		100	8	30	40	9						
200	75	15	14	40~50	35~40	-	35~155	30~150	11			
	120	14	50~75	35~75	30~70	11						
	250	18	15	50~75	40~75	30~65	50~205	30~185	11			
300	150	100	18	15	50~75	40~105	30~95	50~255	30~235	11		
								50~305	30~285			
								50~355	30~335			
								50~75	30~335			

⊙Y+G>H-15, X+F>A-15 ⊙When A=50 or 70, the ordering code X and F are not required. ⊙When A=75, the ordering code F is not required. ⊙When A=50, the ordering code B is not required.
 *Except for A dimension, dimensions of A=50S is smaller than those of A=50.

Through Holes and Dowel Holes

Part Number	Type	H	Angle Plate Body			Through Hole					Dowel Hole			
			A	W	T	T ₁	Side A and H		Side H			Side A	Side H	Hole Dia.
							B	X	F	Y	G			
IKF (Primer Paint (Gray)) BIKF (Black Oxide) MIKF (Electroless Nickel Plating) AIKF (Aluminum Casting)	100	50S	50	15	8	30	35	-	35~55	30~50	9	-	h	DH7
			100	14	50~75	35~55	30~50	11	X+(F/2)	6				
			150	8	30	35	9							
	150	70	15	14	50~75	35~40	-	35~105	30~100	11	55	Y+(G/2)	10	
		75	14	40~50	35~55	30~50	11	X+(F/2)	10					
		100	8	30	40	9								
	200	75	15	14	40~50	35~40	-	35~155	30~150	11	55	Y+(G/2)	10	
		120	14	50~75	35~75	30~70	11	X+(F/2)	10					
		250	18	15	50~75	40~75	30~65	50~205	30~185	11				
	300	150	100	18	15	50~75	40~105	30~95	50~255	30~235	11	X+(F/2)	h	DH7
									50~305	30~285				
									50~355	30~335				
50~75									30~335					

⊙Y+G>H-15, X+F>A-15 ⊙When A=50 or 70, the ordering code X and F are not required. ⊙When A=75, the ordering code F is not required. ⊙When A=50, the ordering code B is not required.
 *Except for A dimension, dimensions of A=50S is smaller than those of A=50.

Alterations	Changes the tapped holes on the mounting surface (side H)	Changes the through hole dia. on the mounting surface (side H)	Changes the dowel hole dia. on the mounting surface (side H)	Changes the through hole dia. on the base surface (side A)	Changes the dowel hole dia. on the base surface (side A)
	Code	MC	HK	HD	AK
Spec.	Changes the holes 4-d (through holes) on side H to tapped holes.	Changes the holes 4-d (through holes) on side H to small dia.	Changes the through hole 2-DH7 (dowel hole) on side H to small dia.	Changes the holes 2-d or 4-d (through holes) on side A to small dia.	Changes the through hole 2-DH7 (dowel hole) on side A to small dia.
	Ordering Code	MC	HK5.5	HD8	AK9
	⊗Combination with HK is not available.	⊗Combination with MC is not available.	⊙Applicable to Through Hole and Dowel Hole Type only.		⊙Applicable to Through Holes and Dowel Holes Type only (Except A=50).