


Angle Plates

Mounting Hole Selectable, Hole Position Fixed

Angle Plates

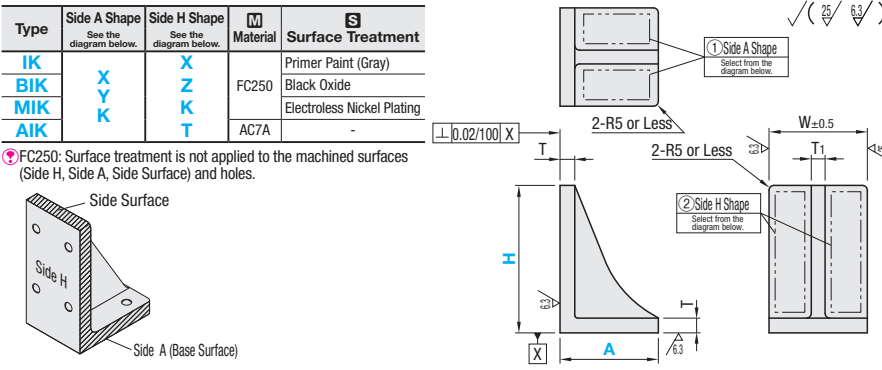
Mounting Surface Tapped, Mounting Hole Position Configurable

■Features: Combinations not standardized in other pages such as slotted holes and tapped holes are available as desired.



Type	Side A Shape See the diagram below.	Side H Shape See the diagram below.	Material	Surface Treatment
IK		X	FC250	Primer Paint (Gray)
BIK	X	Y	FC250	Black Oxide
MIK	X	Z	FC250	Electroless Nickel Plating
AIK	X	T	AC7A	-

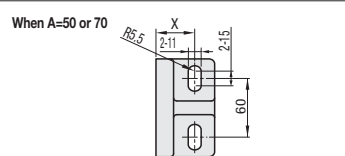
⚠FC250: Surface treatment is not applied to the machined surfaces (Side H, Side A, Side Surface) and holes.



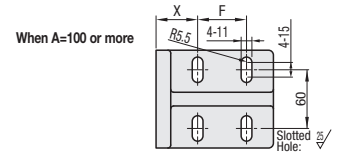
① Side A Shape

X (Slotted Hole X Direction)

When A=50 or 70

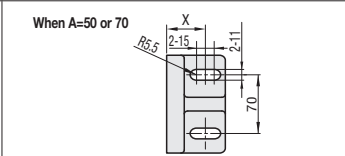


When A=100 or more

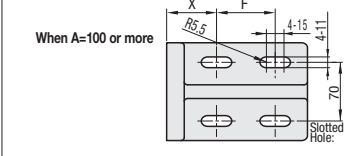


Y (Slotted Hole Y Direction)

When A=50 or 70

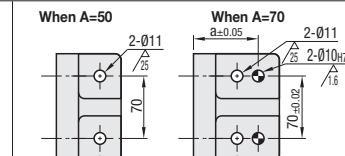


When A=100 or more

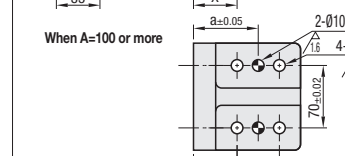


K (Through Holes and Dowel Holes)

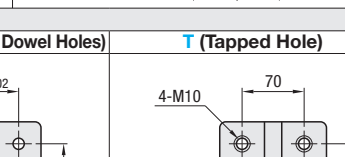
When A=50



When A=70

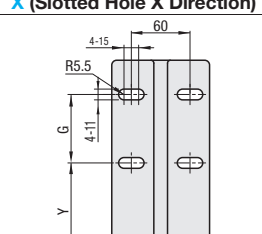


When A=100 or more

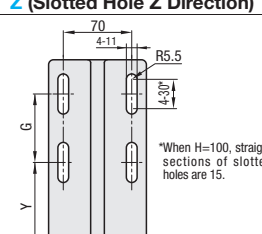


② Side H Shape

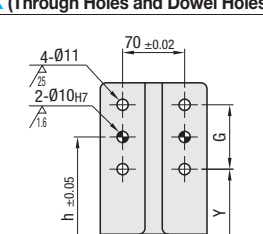
X (Slotted Hole X Direction)



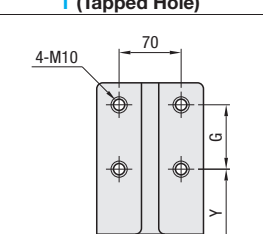
Z (Slotted Hole Z Direction)



K (Through Holes and Dowel Holes)



T (Tapped Hole)



Type	Part Number		H	A	Angle Plate Body																		
	① Side A Shape	② Side H Shape			Side A and Side H				Side A				Side H										
	X (Slotted Hole X Direction)	Y (Slotted Hole Y Direction)			W	T	T ₁	X	F	Y	G	X	F	Y	G	a	h	Y	G				
IK BIK MIK AIK	X	Y	100	50	15	14	33	-	45	40	40	40	35	-	45	40	45	40	65	65	45	40	
							45	40	40	40	40	-	45	40	45	60	60	55	105	75	60		
	Y	Y	150	70	15	14	40	40	40	40	40	40	40	40	40	40	40	40	40	40	40	40	40
							45	50	95	70	50	50	110	70	75	145	110	70	75	145	110	70	
	K	K	K	200	120	18	15	45	50	95	70	50	50	110	70	75	145	110	70	75	145	110	70
								50	125	90	50	50	140	90	75	185	140	90	235	190	90		
T	T	T	250	120	18	15	80	175	100	40	90	230	100	85	280	230	100	85	280	230	100		
							245	120	260	120	260	120	260	120	260	120	260	120					

Body Price + Hole Machining Price of Side A + Side B = Unit Price (Example of Price Calculation)

IKYK150-100 Side (A) Side (B)

AIKX200-120

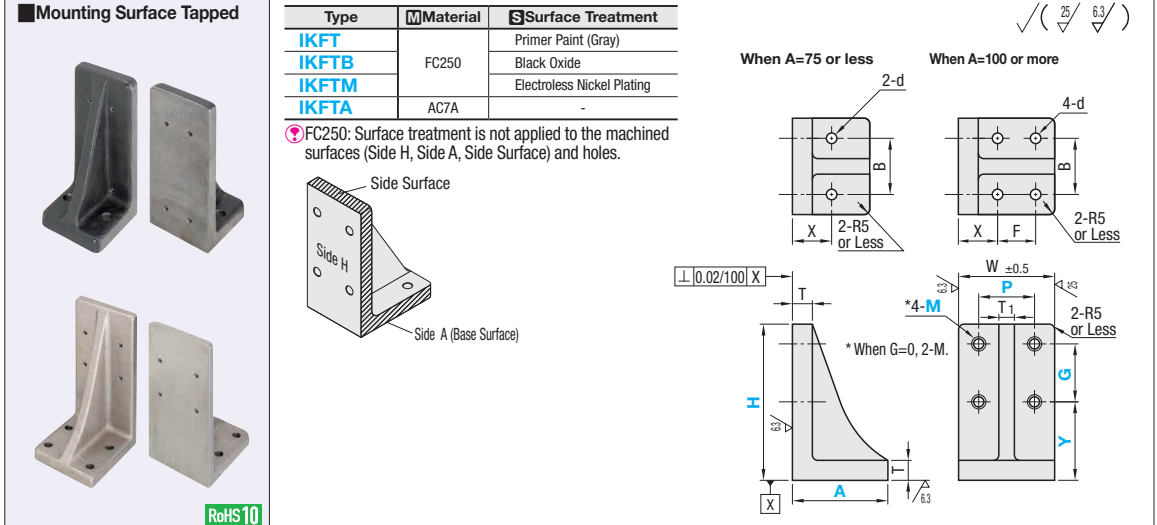
Ordering Example: Part Number **IK** - **Y** - **K** - **150** - **100**

■Features: Tapped hole position on the mounting surface (side H) can be specified according to the workpiece.

■Mounting Surface Tapped

Type	Material	Surface Treatment
IKFT	FC250	Primer Paint (Gray)
IKFTB		Black Oxide
IKFTM	AC7A	Electroless Nickel Plating
IKFTA		-

⚠FC250: Surface treatment is not applied to the machined surfaces (Side H, Side A, Side Surface) and holes.



Part Number	H	A	1mm Increment			Tapped Hole	Angle Plate Body						Through Hole		
			P	Y	G		W	T	T ₁	d	B	X	F		
IKFT (Primer Paint (Gray))	60	40	20	15~25	0 or 9~30	4	30	8	6	3.5	20	15	-		
			20	15~70	0 or 9~70		30	8	6	3.5	20	15	-		
	100	50	30	30~70	25~60		0 or 10~65	100	15	14	11	70	35	-	
		100	30	30~70	25~110		0 or 10~115	100	15	8	9	30	45	40	
	150	70	30	30~45	25~110		0 or 10~115	100	15	14	11	70	40	-	
		75	30	30~70	25~160		0 or 10~165	100	15	14	11	70	45	40	
IKFTM (Electroless Nickel Plating)	200	75	30	30~70	25~160	0 or 10~165	100	15	14	11	70	50	40		
			120	30~70	30~205	0 or 10~210	100	15	14	11	70	50	50		
	250	120	30	30~70	30~255	0 or 10~260	100	18	15	11	70	40	90		
			350	150	30~305	0 or 10~310	100	18	15	11	70	40	90		
400	150	30~355	0 or 10~360												

⚠ Tap depth is Mx2. (The pilot holes for tapping go through.) ⚠ Please specify within the range in order to prevent machining limits and interference of bolt head.

⚠ M+T₁+10 ≤ P ≤ W-M-10 (except when A=40)

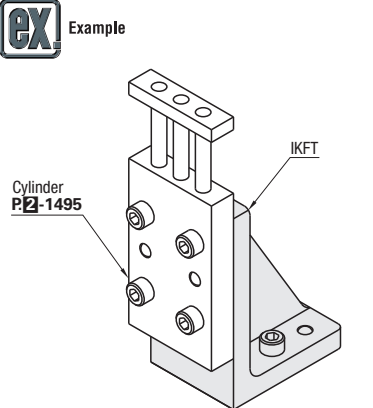
⚠ T+M+5 ≤ Y ≤ H-2M-10

⚠ M+5 ≤ G ≤ H-Y-M-5 (except when G=0)

Ordering Example: Part Number **IKFTB60** - **A40** - **P20** - **Y25** - **G0** - **M4**

H	A	Unit Price			
		IKFT	IKFTB	IKFTM	IKFTA
60	40				
	40				
100	50				
	100				
150	50				
	70				
200	75				
	100				
250	120				
	120				
300	150				
	150				
350	150				
	150				
400	150				
	150				

Example



Cylinder P2-1495

■ Tapped holes on mounting surfaces can be specified according to the workpiece.