

Angle Plates


Cast Iron, Dimension Selectable

Angle Plates

Aluminum / Stainless Steel / Dimension Fixed

■ Features: Hole Diameter Selectable Type is also available for Through Hole Type and Through Holes and Dowel Holes Selectable Type.

■ Features: Weight reduction is possible as opposed to cast iron.



Type	Hole Machining Selection	Material	Surface Treatment
IK	FB (No Hole)	FC250	Primer Paint (Gray)
BIK	D (Through Hole Diameter Fixed Type)		Black Oxide
MIK	K (Through Hole and Dowel Hole Diameter Fixed Type)		Electroless Nickel Plating
	KM (Through Hole and Dowel Hole Diameter Selectable Type)		

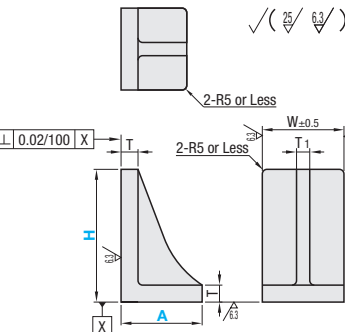
⊗ BIKDM and MIKDM are not selectable.
*1 Surface treatment is not applied to the machined surfaces and holes.



Type	Hole Machining Selection	Material
AIK	FB (No Hole) D (Through Holes) K (Through Holes and Dowel Holes)	(W=60) AC4C-T5 (W=100) AC7A

RoHS10

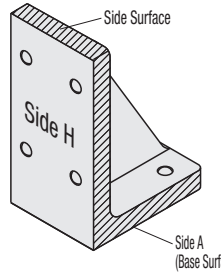
Hole Machining Selection FB (No Hole)



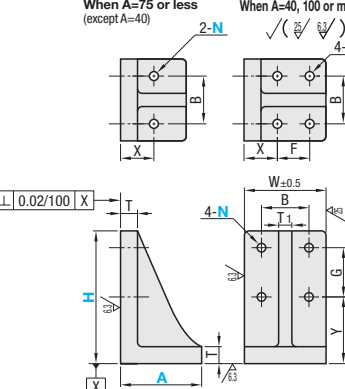
2-R5 or Less
W±0.5
0.02/100 X
2-R5 or Less

Part Number	Type	H	A	Angle Plate Body			Unit Price		
				W	T	T1	IKFB	BIKFB	MIKFB
No Hole IKFB BIKFB MIKFB	60	40	40	30	8	6			
				30	8	6			
				50S	50	8			
	100	50	100	15	14				
				15	14				
				100	100				
	150	70	100	15	14				
				15	14				
				100	100				
	200	75	100	15	14				
				15	14				
				100	100				
250	120	100							
300	150	100							
350	150	100							
400	150								

*1 Surface treatment is not applied on milled surfaces (H, A, and Sides) and hole machined surfaces.



Hole Machining Selection D, DM (Through Holes)

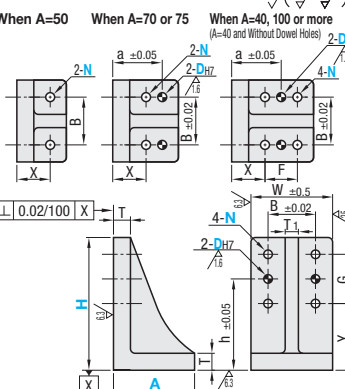


When A=75 or less (except A=40): 2-N
When A=40, 100 or more: 4-N
W±0.5
0.02/100 X
4-N

Part Number	Type	H	A	Angle Plate Body			Through Hole					Unit Price					
				W	T	T1	N (Selection)	B	X	F	Y	G	IKD	BIKD	MIKD	IKDM	MIKDM
Through Holes (Through Hole Diameter Fixed) IKD BIKD MIKD	60	40	40	30	8	6	3.5	-	20	15	15	30	20				
				30	8	6	3.5	-	20	15	15	30	20				
				50S	50	8	9	30	35	-	55	30					
	100	50	100	15	14	11	10		70	45	40	45	40				
				15	14	11	10		30	35	-	75	60				
				100	100												
	150	70	100	15	14	11	10		70	45	40	45	40				
				15	14	11	10		50	40	-	110	70				
				100	100												
	200	75	100	15	14	11	10		70	45	40	45	40				
				15	14	11	10		50	40	-	110	70				
				100	100												
250	120	100						70	45	40	45	40					
								50	40	-	140	90					
								300	150	190							
350	150	100						70	40	90	230	100					
								400	150	260	120						

*2 Select N for Through Hole Diameter Selectable Types, IKDM and MIKDM.
⊗ Portions without specific dimensions are same as FB (No Hole Type).

Hole Machining Selection K, KM (Through Holes and Dowel Holes)



When A=50: 2-N
When A=70 or 75: a±0.05, 2-N, 2-Dh7
When A=40, 100 or more (A=40 and Without Dowel Holes): a±0.05, 4-N, 2-Dh7
W±0.5
0.02/100 X
4-N

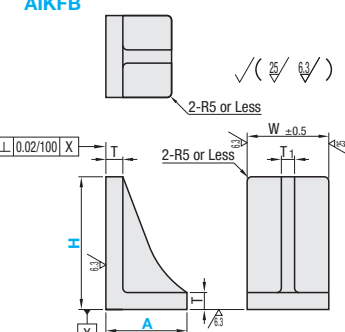
Part Number	Type	H	A	Angle Plate Body			Through Hole					Dowel Hole		Unit Price						
				W	T	T1	N (Selection)	B	X	F	Y	G	Dh7	Dh7 (Selection)	a	h	IKK	BIKK	MIKK	IKKM
Through Holes and Dowel Holes (Through Hole and Dowel Hole Diameter Fixed) IKK BIKK MIKK	60	40	40	30	8	6	3.5	-	20	15	15	30	20	3	-	40				
				30	8	6	3.5	-	20	15	15	30	3	-	70					
				50S	50	8	9	30	35	-	55	30	6							
	100	50	100	15	14	11	10		70	45	40	45	40	10		65	65			
				15	14	11	10		30	35	-	75	60	10		55	105			
				100	100															
	150	70	100	15	14	11	10		70	45	40	45	40	10		65	65			
				15	14	11	10		50	40	-	110	70	10		55	145			
				100	100															
	200	75	100	15	14	11	10		70	45	40	45	40	10		75	185			
				15	14	11	10		50	40	-	140	90	10		235				
				100	100															
250	120	100						70	40	90	230	100		85	280					
								400	150	260	120									

*3 Select N and Dh7 for Through Hole and Dowel Hole Diameter Selectable Types, IKKM and BIKKM.
*4 When A=40, Dowel Hole is not provided on Base Surfaces (Side A).
⊗ Portions without specific dimensions are same as FB (No Hole Type).

Ordering Example: Part Number - A - N - D
IKFB350 - 150 - N10 - D8
IKDM100 - 100 - N10 - D8
BIKKM200 - 120 - N12 - D8

Hole Machining Selection FB (No Hole)

AIKFB

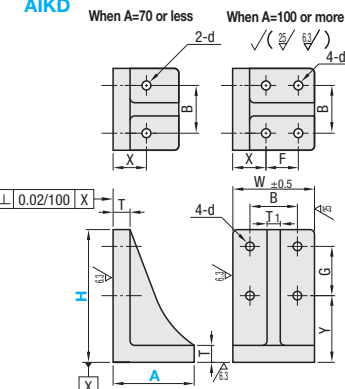


2-R5 or Less
W±0.5
0.02/100 X
2-R5 or Less

Part Number	Type	H	A	W	T	T1	Unit Price	
							IKFB	BIKFB
No Hole AIKFB	60	40	40	30	8	6		
				30	8	6		
				50S	50	8		
	100	50	100	15	14			
				15	14			
				100	100			
	150	70	100	15	14			
				15	14			
				100	100			
	200	75	100	15	14			
				15	14			
				100	100			
250	120	100						
300	150	100						
350	150	100						
400	150							

Hole Machining Selection D (Through Holes)

AIKD



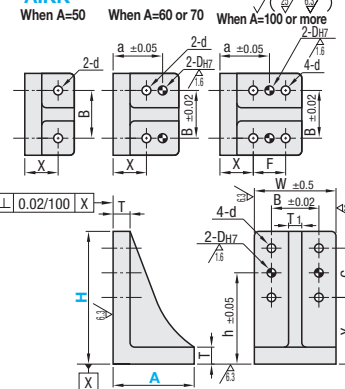
When A=70 or less: 2-d
When A=100 or more: 4-d
W±0.5
0.02/100 X
4-d

Part Number	Type	H	A	Angle Plate Body			Through Hole					Unit Price	
				W	T	T1	d	B	X	F	Y	G	IKD
Through Holes AIKD	60	40	40	30	8	6	6.5	35	30	-	25	25	
				30	8	6	6.5	35	30	-	40	40	
				50S	50	8	9	30	35	-	45	35	
	100	50	100	15	14	11	11	70	45	40	45		
				15	14	11	11	70	45	40	45		
				100	100								
	150	70	100	15	14	11	11	70	45	40	75	60	
				15	14	11	11	70	45	40	75	60	
				100	100								
	200	75	100	15	14	11	11	70	50	50	110	70	
				15	14	11	11	70	50	50	140	90	
				100	100								
250	120	100			11	11	70	50	50	190	90		
					11	11	70	50	50	230	100		
350	150	100			11	11	70	40	90	230	100		
					11	11	70	40	90	260	120		

⊗ Portions without specific dimensions are same as AIKFB (No Hole Type).

Hole Machining Selection K (Through Holes and Dowel Holes)

AIKK



When A=50: 2-d
When A=60 or 70: a±0.05, 2-d, 2-Dh7
When A=100 or more: a±0.05, 4-d, 2-Dh7
W±0.5
0.02/100 X
4-d

Part Number	Type	H	A	Angle Plate Body			Through Hole					Dowel Hole		Unit Price	
				W	T	T1	d	B	X	F	Y	G	Dh7	a	h
Through Holes and Dowel Holes AIKK	60	40	40	30	8	6	6.5	35	30	-	25	25	37.5		
				30	8	6	6.5	35	30	-	40	40	6	45	42.5
				50S	50	8	9	30	35	-	45	35			52.5
	100	50	100	15	14	11	11	70	45	40	45	10	-	65	
				15	14	11	11	70	45	40	45	6	45	60	
				100	100							10	65	65	
	150	70	100	15	14	11	11	70	40	-	75	60	10	55	
				15	14	11	11	70	45	40	75	60	10	65	
				100	100										
	200	75	100	15	14	11	11	70	50	50	110	70	10	75	
				15	14	11	11	70	50	50	140	90	10	75	
				100	100										
250	120	100			11	11	70	50	50	190	90	10	235		
					11	11	70	40	90	230	100	10	85		
350	150	100			11	11	70	40	90	230	100	10	280		
					11										