

Strut Clamps

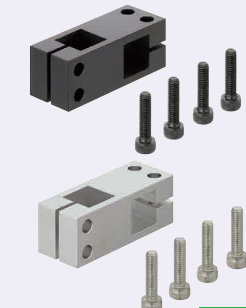
Square & Round / Square & Square, Perpendicular Configuration

■ Features: Post clamps that height adjusts while preventing rotations by combining with Square tubes (P.2159) and Stand Brackets (P.2160). Combined with Stand-Up Brackets, Strut Clamps can prevent rotation while adjusting height. For tubes / pipes and rods usable in sets, see P.2159.

■ Square & Round, Perpendicular Configuration



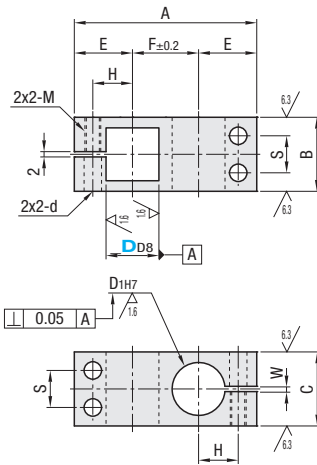
■ Square & Square, Perpendicular Configuration



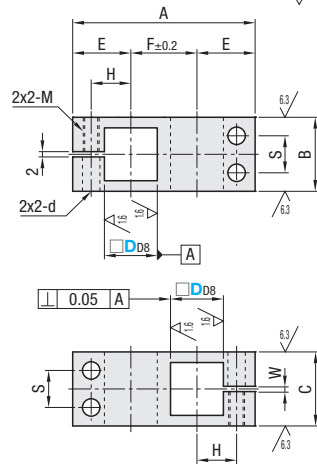
Type		Material	Surface Treatment	Accessory
Square & Round, Perpendicular Configuration	Square & Square, Perpendicular Configuration			
BLQD	BLQQD	S45C	Black Oxide	Hex Socket Head Cap Screw
NLQD	NLQQD		Electroless Nickel Plating	
ALQD	ALQQD	A6063	Black Anodize	
HLQD	HLQQD		Clear Anodize	
SLQD	SLQQD	SUS304	-	

⚠ Accessory: CB screws (P.2-171) are included with black oxide/black anodized products, and SCB screws (P.2-173) are included with the other products, respectively.

Square & Round, Perpendicular Configuration



Square & Square, Perpendicular Configuration



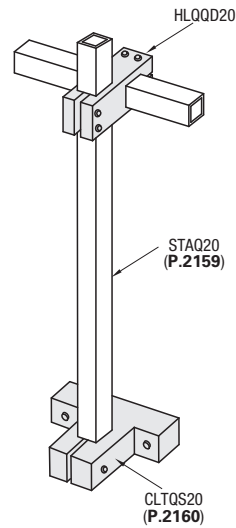
⚠ When D=10 or 12, there is no S dimension. There is only 1 screw at the center for tightening.

Part Number		D _{D8}	D _{1H7}	A	B	C	E	F	H	S	M (Coarse)	d	W	Unit Price				
Type	Configuration													BMNQ	NMNQ	AMNQ	WMNQ	SMNQ
Square & Round, Perpendicular Configuration	BLQD NLQD ALQD HLQD SLQD	10	10	45	16	16	15	15	9	-	M5	5.5	2					
		12	12	49	16	16	16	17	10	-								
		15	15	57	22	22	18	21	12	11								
		20	20	69	28	28	22	25	15	14								
		25	25	83	32	32	25	33	18	16								
Square & Square, Perpendicular Configuration	BLQQD NLQQD ALQQD HLQQD SLQQD	10	10	45	16	16	15	15	9	-	M5	5.5	2					
		12	12	49	16	16	16	17	10	-								
		15	15	57	22	22	18	21	12	11								
		20	20	69	28	28	22	25	15	14								
		25	25	83	32	32	25	33	18	16								

⚠ The tolerance and perpendicularity of D_{D8} and D_{1H7} are the tolerances before slitting.
 ⚠ Recommended D_{D8} tolerance of mating shafts is 0 - -0.12 and D_{1H7} tolerance g6 and g8 respectively. Tightening with a long wrench is recommended.

Ordering Example

Part Number: ALQD20, SLQQD10



D	Unit Price									
	Square & Round, Perpendicular Configuration			Square & Square, Perpendicular Configuration						
	S45C	A6063	SUS304	S45C	A6063	SUS304				
	BLQD	NLQD	ALQD	HLQD	SLQD	BLQQD	NLQQD	ALQQD	HLQQD	SLQQD
10										
12										
15										
20										
25										

Strut Clamps

Vertical / Parallel Taps, Square Hole

■ Features: Post clamps that height adjusts while preventing rotations by combining with Square tubes (P.2159) and Stand Brackets (P.2160). For tubes/pipes and rods usable in sets, see P.2159.

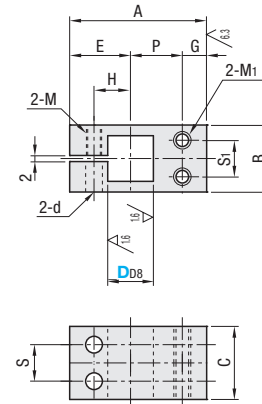
■ Vertical Taps, Square Hole



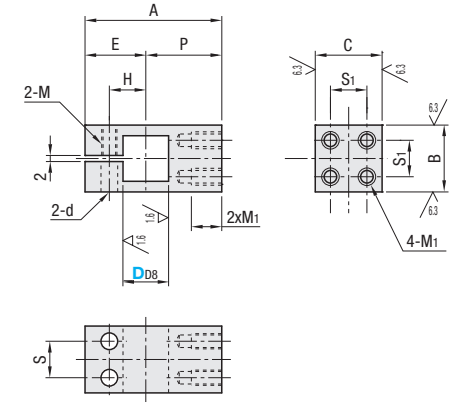
Type		Material	Surface Treatment	Accessory
Vertical Taps	Parallel Taps			
BMNQ	BQMQ	S45C	Black Oxide	Hex Socket Head Cap Screw
NMNQ	NQMQ		Electroless Nickel Plating	
AMNQ	AQMQ	A6063	Black Anodize	
WMNQ	WQMQ		Clear Anodize	
SMNQ	SQMQ	SUS304	-	

⚠ Accessory: CB screws (P.2-171) are included with black oxide/black anodized products, and SCB screws (P.2-173) are included with the other products, respectively.

Vertical Taps, Square Hole



Parallel Taps, Square Hole



⚠ When D=10 or 12, there is no S dimension. There is only 1 screw at the center for tightening.

■ Vertical Taps, Square Hole

Part Number		P	A	B	C	E	G	H	S ₁	M ₁	S	M	d	Unit Price				
Type	D _{D8}													BMNQ	NMNQ	AMNQ	WMNQ	SMNQ
BMNQ NMNQ AMNQ WMNQ SMNQ	10	11	31	16	16	15	5	9	8	M4	-	M5	5.5					
	12	13	34	16	16	16	5	10	8									
	15	17	45	22	22	20	8	12	12	M5	12							
	20	20	52	28	28	22	10	15	16			M6	14					
	25	23	58	32	32	25	10	18	20			M6	16					

⚠ Tolerance of D_{D8} is the tolerance before slitting.
 ⚠ Recommended D_{D8} tolerance of mating shafts is 0 - -0.12. Tightening with a long wrench is recommended.

■ Parallel Taps, Square Hole

Part Number		P	A	B	C	E	H	S ₁	M ₁	S	M	d	Unit Price				
Type	D _{D8}												BQMQ	NQMQ	AQMQ	WQMQ	SQMQ
BQMQ NQMQ AQMQ WQMQ SQMQ	10	16	31	16	16	15	9	8	M4	-	M5	5.5					
	12	18	34	16	16	16	10	8									
	15	25	45	22	22	20	12	12	M5	12							
	20	30	52	28	28	22	15	16			M6	14					
	25	33	58	32	32	25	18	20			M6	16					

⚠ Tolerance of D_{D8} is the tolerance before slitting.
 ⚠ Recommended D_{D8} tolerance of mating shafts is 0 - -0.12. Tightening with a long wrench is recommended.

Ordering Example

Part Number: AMNQ15, SQMQ20

