

Posts for Stands / Caps for Hollow Posts

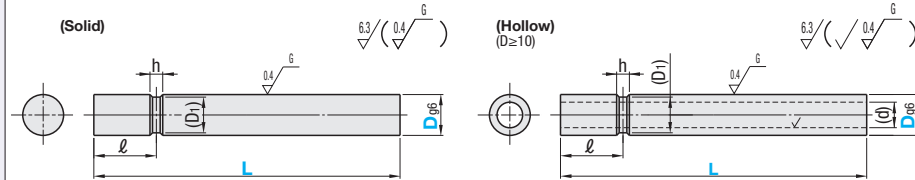
■ **Features:** Can be used in combination with Device Stands, Stand-Up Brackets and Strut Clamps.

■ Posts for Stands



Type		Material	Hardness	Surface Treatment
Solid	Hollow			
STN	STA	S45C Equivalent	58HRC-	-
STNM	STAM	Case Induction Hardened (Depth 1.0 ~ 1.5)	-	Electroless Nickel Plating
MSTNM	MSTAM	S45C Equivalent	-	Electroless Nickel Plating
GSTNM	GSTAM	S45C Equivalent	-	Black Oxide
STNUG	SMSTAM	SUS304	-	-

⊕ Surface treatment may not be applied to ends and grooves of STNM, STAM, MSTNM, MSTAM, GSTNM, GSTAM.



Type	Part Number	Dg6	L 1mm Increment	(D1)	l	h	(d)	
Solid STN STNM MSTNM GSTNM STNUG	6	-0.004 -0.012	30~150	4.5	12	4	-	
	8	-0.005	30~200	6.5	15			
	10	-0.014	35~250	8.5	18			
	12	-0.006	35~300	10	18			
	Hollow STA STAM MSTAM GSTAM SMSTAM	15	-0.017	40~350	13	20	5	10.0
		20	-0.017	45~400	17	25		
		25	-0.007	50~450	22	30	6	15.2
		30	-0.020	60~450	27	30		
		35	-0.009	70~500	32	40	8	20.1
		40	-0.025	80~500	37	40		
50		-0.025	100~600	46	50	10	30.8	

⊕ Hollow Posts are available from D10. STN is applicable from D8.

Ordering Example: Part Number - L
STNUG12 - 250

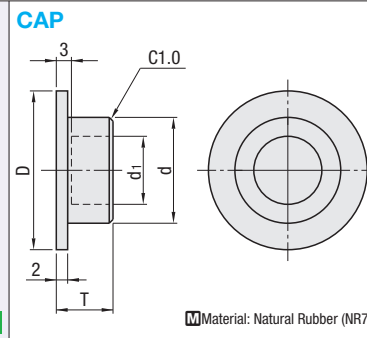
Alterations Example: Part Number - L - (MN, MTC)
STN8 - 100 - MN

Alteration	Code	Spec.																						
No Groove	MN	Alteration to No Set Screw Groove. (Ordering Code) MN																						
One End Tapped	MTC	Tapped at one end. (Ordering Code) MTC8 <table border="1"> <thead> <tr> <th>Dg6</th> <th>M (Coarse)</th> </tr> </thead> <tbody> <tr><td>8</td><td>3</td></tr> <tr><td>10</td><td>3 4</td></tr> <tr><td>12</td><td>4 5</td></tr> <tr><td>15</td><td>4 5 6</td></tr> <tr><td>20</td><td>5 6 8</td></tr> <tr><td>25</td><td>6 8 10</td></tr> <tr><td>30</td><td>8 10 12</td></tr> <tr><td>35</td><td>10 12 16</td></tr> <tr><td>40</td><td>10 12 16</td></tr> <tr><td>50</td><td>10 12 16</td></tr> </tbody> </table>	Dg6	M (Coarse)	8	3	10	3 4	12	4 5	15	4 5 6	20	5 6 8	25	6 8 10	30	8 10 12	35	10 12 16	40	10 12 16	50	10 12 16
Dg6	M (Coarse)																							
8	3																							
10	3 4																							
12	4 5																							
15	4 5 6																							
20	5 6 8																							
25	6 8 10																							
30	8 10 12																							
35	10 12 16																							
40	10 12 16																							
50	10 12 16																							

⊕ Applicable to Solid Type only.
⊖ Not applicable to D=6.

■ **Features:** Caps can be mounted on the end face of Hollow Posts on P2145-P2152.

■ Caps for Hollow Posts



Part Number Type	No.	D	d	d1	T	Unit Price 1 ~ 19 pcs(s), 20 ~ 50 pcs.	Volume Discount Rate
10	9	6.2	3	8			
12	11	10.2	6				
15	14	12.0	9	10			
20	18	15.5	10				
25	23	20.5	13				
30	28	23.0	15				
35	33	31.3	16				
40	38						
50	48						

⊕ For orders larger than indicated quantity, please check with WOS.

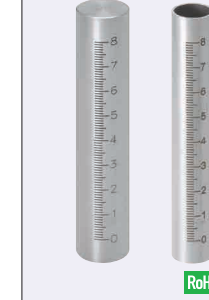
Ordering Example: Part Number - L
CAP25

Posts for Stands

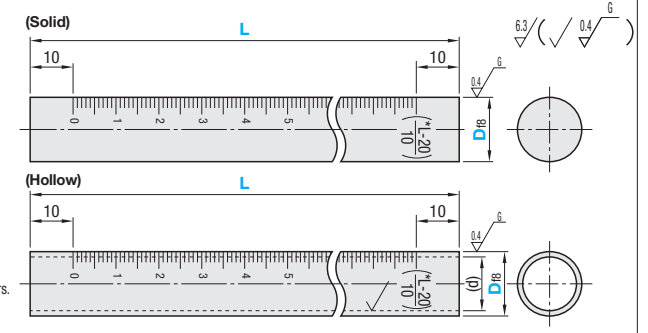
With Scale / Length Configurable with Scale

■ **Features:** Easy to adjust positions of cameras and sensors during setup changes. Hollow Type is capable of storing wiring.

■ With Scale



Type		Material
Solid	Hollow	
GSSTN	GSSTA	SUS304



⊕ If wiped with volatile oil, the prints may fade.

⊕ The scale graduations are represented in centimeters.

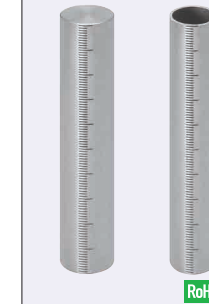
⊕ Use the scale as a reference.

* Scale indicates up to (L-20)/10.

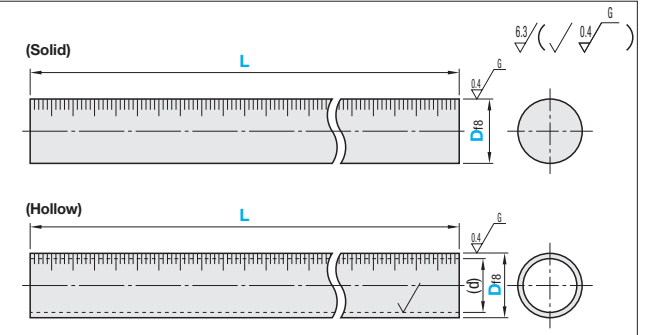
Part Number Type	Dg6	L Selection	(d)	Unit Price										
				GSSTN			GSSTA							
				L100	L150	L200	L250	L300	L100	L150	L200	L250	L300	
GSSTN GSSTA	10	-0.013 -0.035	100 150 200	8										
	12	-0.016	100 150 200 250 300	10										
	15	-0.043	100 150 200 250 300	12.6										
	20	-0.020 -0.053	100 150 200 250 300	16										
	25		200 250 300	-										

Ordering Example: Part Number - L
GSSTN15 - 200
GSSTA20 - 300

■ Length Configurable with Scale



Type		Material
Solid	Hollow	
FGSTN	FGSTA	SUS304



⊕ If wiped with volatile oil, the prints may fade.

⊕ Scale is without numbers.

⊕ Use the scale as a reference.

Part Number Type	Dg6	L 1mm Increment	(d)	Unit Price			
				FGSTN		FGSTA	
				Min. L ~ 200	201~400	401~450	
FGSTN FGSTA	10	-0.013 -0.035	35~450	8			
	12	-0.016	35~450	10			
	15	-0.043	40~450	12.6			
	20	-0.020 -0.053	45~450	16			
	25		50~450	20			

Ordering Example: Part Number - L
FGSTN10 - 100
FGSTA20 - 200

