


Miniature Contact Switches

Compact / NO (Normally Open)

■ Features: O.D. is M5 or Ø5, overall length is 17mm, (Regular) Miniature Contact Switches. For Mechanical / Electrical Specifications and Precautions for Use, **P.2095**

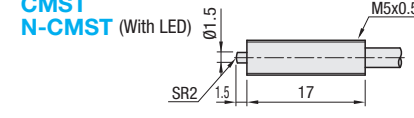
Compact



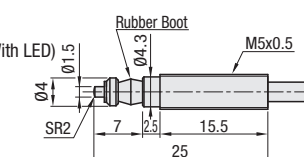
RoHS 10

Bolt

Regular (IP40)
CMST
N-CMST (With LED)

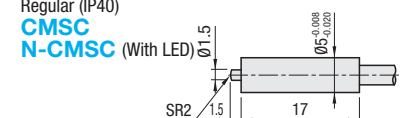


Water-Proof (IP67)
CMSTW
N-CMSTW (With LED)

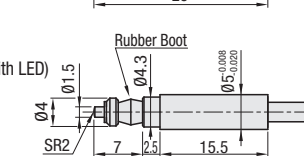


Standard

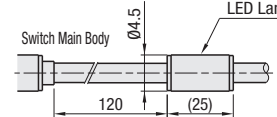
Regular (IP40)
CMSC
N-CMSC (With LED)



Water-Proof (IP67)
CMSCW
N-CMSCW (With LED)



Switch Main Body



| Contact Part | Main Body | Cable | Accessory |
|--------------|-----------|----------|--|
| Material | Hardness | Material | |
| SUS420 | 45HRC | SUS303 | Cable 2m, Ø3 Oil-resistant, Min. Bending Radius R7 Hex Nut 2 pcs. (Thickness 2.4, Hex Socket 7) |

Bolt

| Part Number | Stroke | Operating Point | Contact Force N | Contact Logic | Unit Price 1 ~ 10 pc(s). | |
|--|--------|-------------------------------------|-----------------|----------------------|--------------------------|-----------------|
| | | | | | CMST, CMSTW | N-CMST, N-CMSTW |
| Regular (IP40) CMST N-CMST | 1.5 | No Pre-Travel (Repeatability 0.003) | 0.5N | NC (Normally Closed) | | |
| Water-Proof (IP67) CMSTW N-CMSTW | | | 0.8N | | | |


Standard

| Part Number | Stroke | Operating Point | Contact Force N | Contact Logic | Unit Price 1 ~ 10 pc(s). | |
|--|--------|-------------------------------------|-----------------|----------------------|--------------------------|-----------------|
| | | | | | CMSC, CMSCW | N-CMSC, N-CMSCW |
| Regular (IP40) CMSC N-CMSC | 1.5 | No Pre-Travel (Repeatability 0.003) | 0.5N | NC (Normally Closed) | | |
| Water-Proof (IP67) CMSCW N-CMSCW | | | 0.8N | | | |

Ordering Example
Part Number
CMST

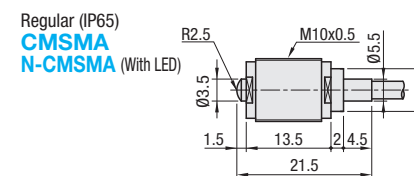
For Mechanical / Electrical Specifications and Precautions for Use, **P.2095**

NO (Normally Open)

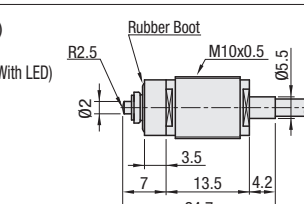


RoHS 10

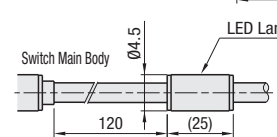
Regular (IP65)
CMSMA
N-CMSMA (With LED)



Water-Proof (IP67)
CMSMWA
N-CMSMWA (With LED)



Switch Main Body



| Contact Part | Main Body | Cable | Accessory |
|--------------|-----------|----------|---|
| Material | Hardness | Material | |
| SUS | 50HRC | SUS303 | Cable 2m, Ø3 Oil-resistant, Min. Bending Radius R7 Wrench Hex Nut (Thickness 3, Hex Socket 13) |

NO (Normally Open)

| Part Number | Stroke | Operating Point | Contact Force N | Contact Logic | Unit Price 1 ~ 10 pc(s). | |
|--|--------|------------------------------------|-----------------|--------------------|--------------------------|-------------------|
| | | | | | CMSMA, CMSMWA | N-CMSMA, N-CMSMWA |
| Regular (IP65) CMSMA N-CMSMA | 1.5 | 0.3 from Tip (Repeatability 0.003) | 1N | NO (Normally Open) | | |
| Water-Proof (IP67) CMSMWA N-CMSMWA | | | | | | |

Ordering Example
Part Number
CMSMA


For orders larger than indicated quantity, please check with WOS.

High Accuracy Positioning Switches

Bolt / Tip Shape Selectable / Flat

Do not use in environments where coolant or dust from machining may fall on the product. The silicon (rubber) boots may be damaged. For Mechanical / Electrical Specifications and Precautions for Use, **P.2095**

Bolt (IP67)

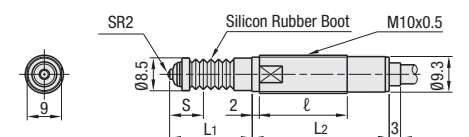
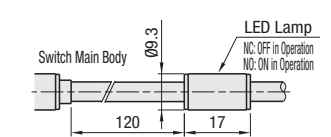


RoHS 10

3mm Stroke
10mm Stroke

MSTK
MSTKL

N-MSTK-D
N-MSTKL-D (With LED)

| Contact Part | Main Body | Cable | Accessory |
|--------------|-------------|----------|--|
| Material | Hardness | Material | |
| Carbide | 1300~1600HV | SUS303 | Cable 3m, 2-Conductors Ø5, Oil Resistant Min. Bending Radius R7 Hex Nut 2 pcs. (Thickness 3, Hex Socket 13) |


- Use within the contact ratings.
- Do not pull or twist the cable with 30N or more.

| Part Number | Contact Logic | Stroke S | Operating Point | Repeatability | Contact Force N | L1 | L2 | ℓ | MSTK•MSTKL | | N-MSTK(L)-D | |
|----------------------------------|---------------|----------|-------------------|---------------|-----------------|----|------|------|-------------------------|----------------------------|-------------------------|----------------------------|
| | | | | | | | | | Unit Price 1 ~ 9 pc(s). | Volume Discount Rate 10-20 | Unit Price 1 ~ 9 pc(s). | Volume Discount Rate 10-20 |
| MSTK N-MSTK-D | NC | 3 | No Pre-Travel 0.2 | 0.0005 | 1 | 15 | 23.2 | 18.2 | | | | |
| | NO | | | | | | | | 31 | 26 | | |
| MSTKL N-MSTKL-D | NC | 10 | No Pre-Travel | | | 26 | 40 | 23 | | | | |
| | | | | | | | | | | | | |

For orders larger than indicated quantity, please check with WOS.

For Mechanical / Electrical Specifications and Precautions for Use, **P.2095**

Shape Selectable (IP67)

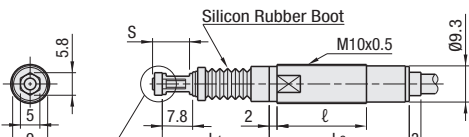
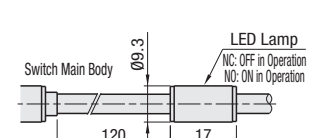


RoHS 10

3mm Stroke
10mm Stroke

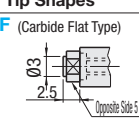
MSTA
MSTAL

N-MSTA-D
N-MSTAL-D (With LED)

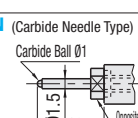



Tip Shape Selection

F (Carbide Flat Type)



N (Carbide Needle Type)




- Use within the contact ratings.
- Do not pull or twist the cable with 30N or more.

| Contact Part | Main Body | Cable | Accessory |
|--------------|-------------|----------|--|
| Material | Hardness | Material | |
| Carbide | 1300~1600HV | SUS303 | Cable 3m, 2-Conductors Ø5, Oil Resistant Min. Bending Radius R7 Hex Nut 2 pcs. (Thickness 3, Hex Socket 13) |

For orders larger than indicated quantity, please check with WOS.

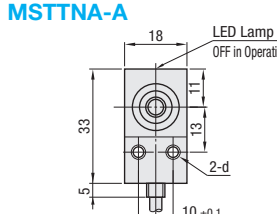
For Mechanical / Electrical Specifications and Precautions for Use, **P.2095**

Flat (IP67)

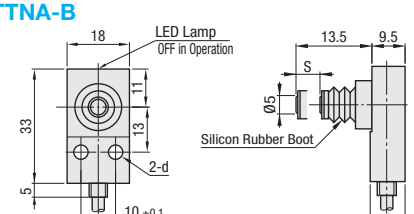


RoHS 10

MSTTNA-A



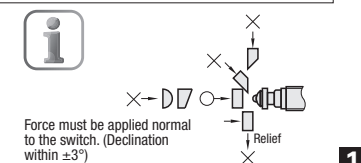
MSTTNA-B



| Contact Part | Main Body | Cable |
|--------------|-------------|---------------|
| Material | Hardness | Material |
| Carbide | 1300~1600HV | Aluminum |
| | | Clear Anodize |

- Use within the contact ratings.
- Do not pull or twist the cable with 30N or more.

| Part Number | Contact Logic | Stroke S | Operating Point | Contact Force N | d | Unit Price 1 ~ 9 pc(s). | Volume Discount Rate 10-20 |
|------------------------------------|---------------|----------|--------------------------------------|-----------------|------------|-------------------------|----------------------------|
| MSTTNA-A MSTTNA-B | NC | 3 | No Pre-Travel (Repeatability 0.0005) | 1.5 | M4 Ø4.6 | | |



Ordering Example
Part Number - Contact Logic
MSTK - NC
N-MSTA-DF - NC
MSTTNA-A - NC

For orders larger than indicated quantity, please check with WOS.