

[High Precision] Dovetail Slide, Post Mounted

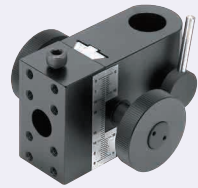
Note that, for some of the types shown here, order might be unable to be received by the MISUMI Indonesia offices.

Accessories for Dovetail Slide Stages

Base / Shaft / CCD Camera Adapter / Holder

Features: Stages mountable on posts. STLC48 can be mounted directly on Ø16 posts. STLX35 and STLXYZ35 can be used with Ø12 Post Clamps.

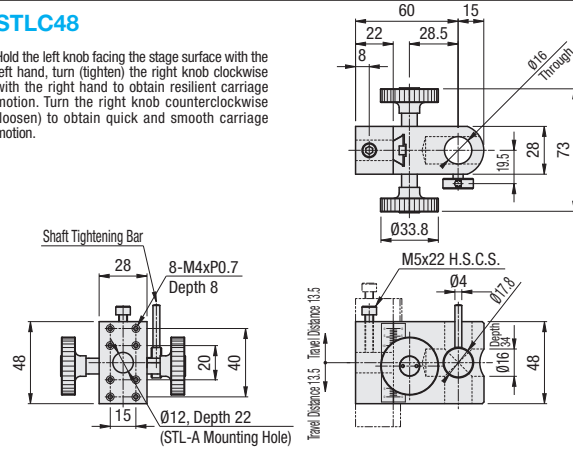
1-Axis Slide with Crossed Mounting Bores



RoHS 10

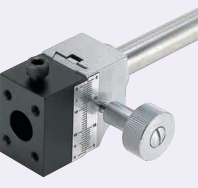
STLC48

Hold the left knob facing the stage surface with the left hand, turn (tighten) the right knob clockwise with the right hand to obtain resilient carriage motion. Turn the right knob counterclockwise (loosen) to obtain quick and smooth carriage motion.



Part Name	Material	Surface Treatment
Stage	Aluminum Alloy	Black Anodize
Holder	Aluminum Alloy	Black Anodize

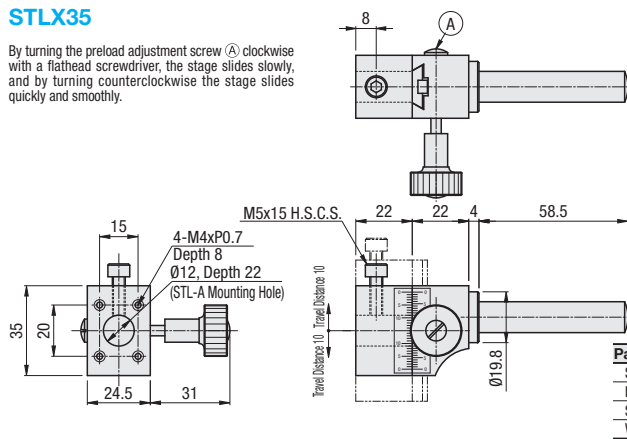
1-Axis Slide with a Shaft



RoHS 10

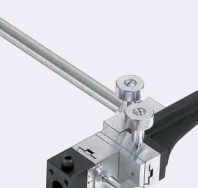
STLX35

By turning the preload adjustment screw (A) clockwise with a flathead screwdriver, the stage slides slowly, and by turning counterclockwise the stage slides quickly and smoothly.



Part Name	Material	Surface Treatment
Stage	Aluminum Alloy	Black Anodize
Holder	Low Cadmium Brass	Nickel Chrome Plating
Shaft	SUS303	-
Washer	Low Cadmium Brass	Nickel Chrome Plating

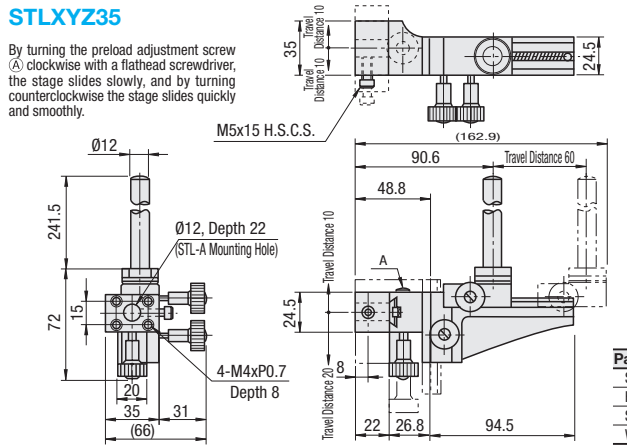
3-Axis Slide with a Shaft



RoHS 10

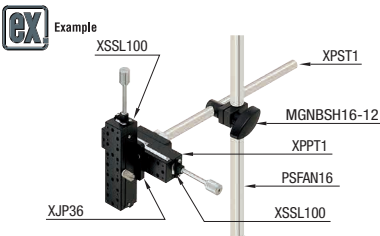
STLXYZ35

By turning the preload adjustment screw (A) clockwise with a flathead screwdriver, the stage slides slowly, and by turning counterclockwise the stage slides quickly and smoothly.



Part Name	Material	Surface Treatment
Stage	Aluminum Alloy	Black Anodize
Holder	Brass	Nickel Chrome Plating
Shaft	SUS303	-
Washer	Brass	Nickel Chrome Plating

Each of the above stages is not provided with any clamping mechanism but, based on its own weight, can prevent itself from being slid as long as the applied load falls within the allowable load range. * When a stage with a clamp is needed, combine a Dovetail Stage (P.1900, 1901), Base Plate and Shaft for stages (P.2002).

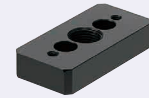


Part Number	Material	Surface Treatment
STLC48	Aluminum Alloy	Black Anodize
STLXYZ35	Aluminum Alloy	Black Anodize

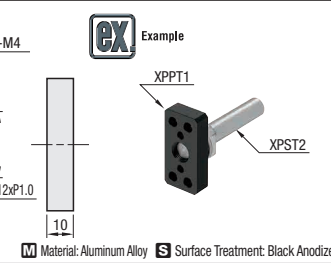
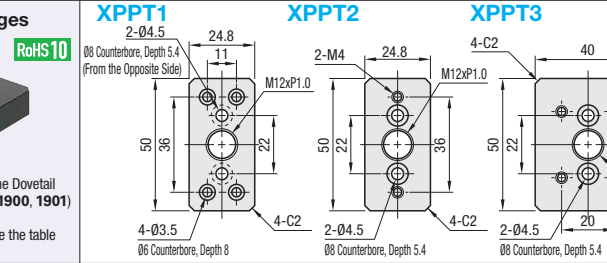
Part Number	Travel Distance (mm)	Travel per Rotation (mm)	Load Capacity (N)	Weight (kg)	Unit Price		
Type	No.	X-Axis	Y-Axis	Z-Axis	1 ~ 10 pc(s).		
STLC	48	27	-	-	18	29.4	0.35
STLX	35	20	-	-	18	19.6	0.26
STLXYZ	35	20	30	60	18	19.6	0.96

Features: Accessories can be combined with dovetail stages to form a variety of Post Mounted Stages.

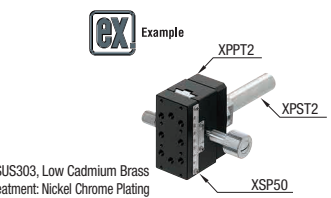
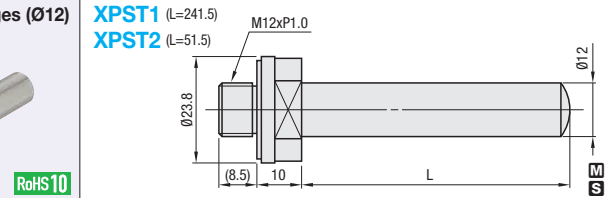
Base for Stages



Base Plates to connect the Dovetail Stages (P.1906, 1904, 1900, 1901) and XPST1, 2, 3 (below).
For applicable stages, see the table below.



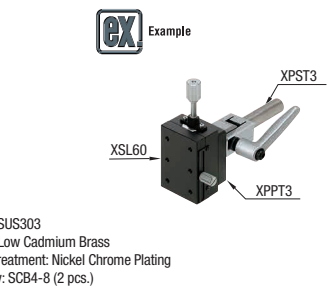
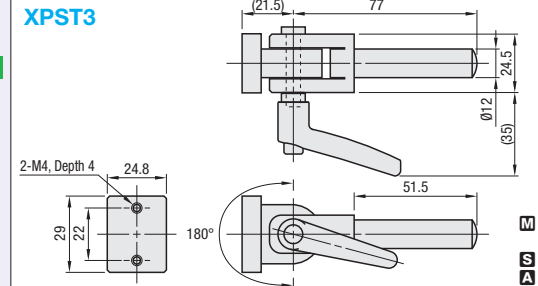
Shaft for Stages (Ø12)



Shaft for Stages (with Lever)



Tilt angle can be adjusted easily. (180° Max.)



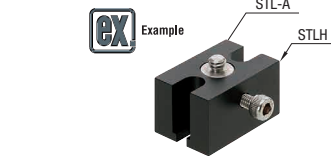
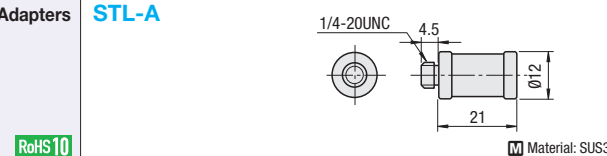
Ordering Example

Part Number	Applicable Stage	Accessory: Type M-L (Qty.)	Unit Price
XPPT1	XSSL, XSSL	SCB4-8 (2 pcs.), SCB3-6 (4 pcs.)	1 ~ 10 pc(s).
XPST1	XSP	SCB4-8 (4 pcs.)	1 ~ 10 pc(s).
XPST3	XSL, XSLC, XSB	SCB4-8 (6 pcs.)	1 ~ 10 pc(s).

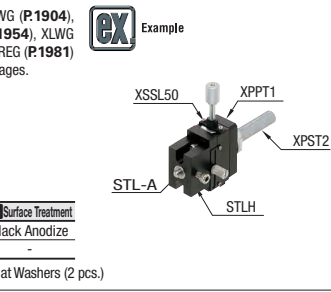
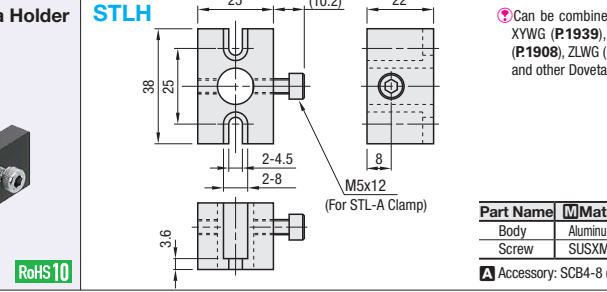
Part Number	Unit Price
XPPT	1 ~ 10 pc(s).
XPST	1 ~ 10 pc(s).

Features: Common to all camera manufacturers.

CCD Camera Adapters



CCD Camera Holder



Ordering Example

Part Number	Unit Price	Volume Discount Rate
STL-A	1 pc.	2, 3 pcs. 4 ~ 10 pcs.

Part Number	Unit Price
STLH	1 ~ 10 pc(s).

