

[High Precision] Goniometer Stages - Dovetail Slide, 2-Axis

Symmetrical Stack, Space Saving

■ **Features:** Since two side faces out of four are freely configurable, this type of stage product can be symmetrically aligned with its reserved type for combination use or can be configured for space-saving.

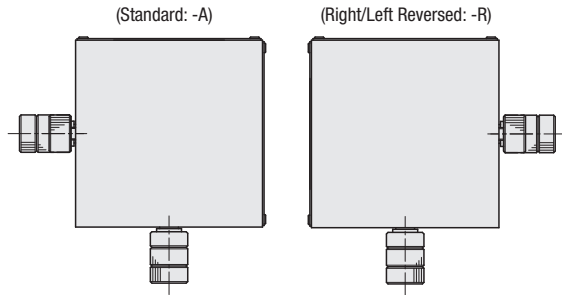
■ Symmetrical Stack, Space Saving



RoHS 10

DSGFWG

- The number of faces intended for knob / clamp operations is limited to two.
- Space for adjustment is saved.
- It is also possible to reposition two stages in such a way that they become much closer to each other.



⚠ When symmetrical use as shown on the above figure is desired, select one □□-□□ Type and one □□-□□-R Type, respectively. (Those types are not sold as a set.)

⚠ (Note) For dimension details, see the CAD data or the catalog's 1-axis stage dimension details on P.1986.

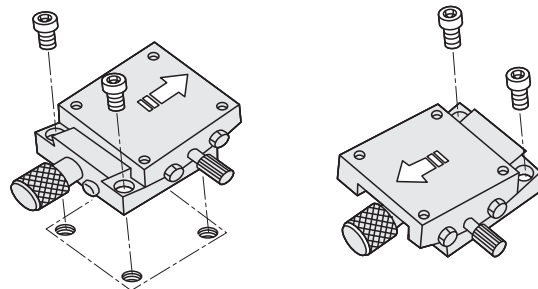
Part Number Type	Stage Surface (mm)	Travel (O) (Top / Bottom)	Horizontal Load Capacity (N)	Stage Configuration (GFG: P.1986)		Reference Part Number (Page)	Unit Price
				Top	Bottom		
DSGFWG	25x25	±15/±10	19.6	GFG25-20-NR	GFG25-35	GFWG (P.1986)	
	25-20-R			GFG25-20	GFG25-35-NR		
	30x30	±10/±10	9.8	GFG30-30-NR	GFG30-44		
	30-30-R			GFG30-30	GFG30-44-NR		
	40x40	±20/±15	27.4	GFG40-25-NR	GFG40-40		
	40-25			GFG40-25	GFG40-40-NR		
	40-40	±15/±10	26.4	GFG40-40-NR	GFG40-60		
	40-40-R			GFG40-40	GFG40-60-NR		
	50x50	±10/±10	24.5	GFG50-50-NR	GFG50-68		
	50-50-R			GFG50-50	GFG50-68-NR		
	50-68			GFG50-68-NR	GFG50-86		
	50-68-R	±10/±8		GFG50-68	GFG50-86-NR		
	60x60	±25/±20	51.9	GFG60-35-NR	GFG60-60		
	60-35-R			GFG60-35	GFG60-60-NR		
	60-60	±20/±15	52.9	GFG60-60-NR	GFG60-80		
	60-60-R			GFG60-60	GFG60-80-NR		
80x80	±18/±15	42.1	GFG80-100-NR	GFG80-130			
80-100-R			GFG80-100	GFG80-130-NR			

Ordering Example
Part Number
 DSGFWG60-60
 DSGFWG60-60-R

⚠ For symmetrical use, select one standard stage and one reversed (-R Type) stage, respectively, as indicated above.

⚠ Extension Cover HDEXT12 (Sold Separately): Ø12 knob can be extended. P.2004

How to Mount a Goniometer Stage:
 Move the top plate to access mounting holes as shown below.

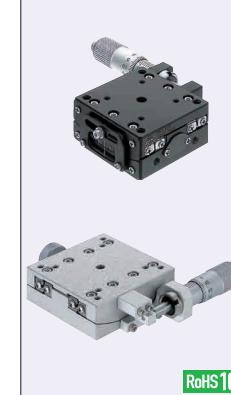


Note that, for some of the types shown here, order might be unable to be received by the MISUMI Indonesia offices.

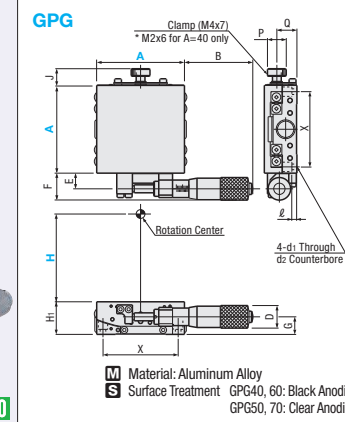
[High Precision] Goniometer Stages - Cross Roller, 1-Axis / 2-Axis

■ **Features:** High Accuracy Stages with Cross Roller Guides. Excellent operability makes them suitable for frequent positioning applications. Also suitable for fine feeding.

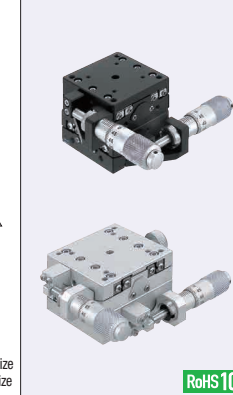
■ 1-Axis



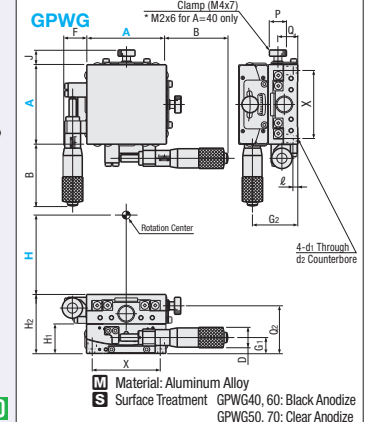
RoHS 10



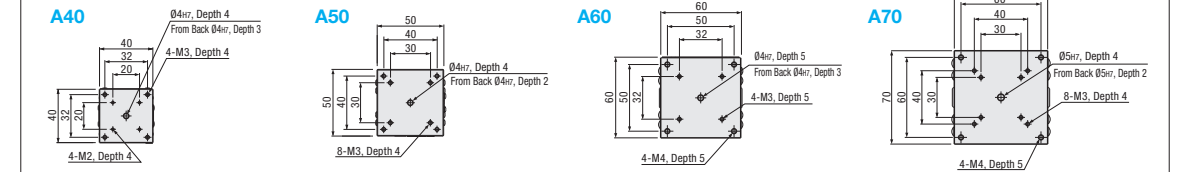
■ 2-Axis



RoHS 10



• Table Mounting Hole Dimensions



Part Number Type	Top View				Front View				Side View					
	A-H	B	J	F	H ₁	D	G	P	Q	X	ℓ	d ₁	d ₂	
GPG	40-40	38	5.5	7.5	14	20	13	11	3.8	14	3.2	3	3.5	6
	40-60									15				
	40-80									9				
	50-50	31	13	11.5	18	18	13	9.3	15	10	40	3	3.5	6
	50-68													
	50-86													
	60-50									13	15.5			
	60-75									15.9	16.4			
	60-100	31	13.5	7.5	14	25	13	12.9	15	12.8	50	5	4.5	8
	70-70									16				
	70-96	52	13.3	12.5	21.5	26	18	14	15	17.5	60	4	4.5	8
	70-122													

Part Number Type	Top View				Front View				Side View								
	A-H	B	J	F	H ₁	D	G ₁	Q ₂	P	Q ₁	G ₂	X	ℓ	d ₁	d ₂		
GPWG	40-40	38	5.5	14	20	40	13	11	3.8	14	3.1	32	3	3.5	6		
	40-60									15							
	50-50	31	13	18	18	36	13	9.3	27	15	10	27.3	40	3	3.5	6	
	50-68																
	60-50									40.5		15.9	38				
	60-75									40.9		16.4	37.9	50	5	4.5	8
	60-100	31	13.5	14	25	50	13	12.9	42	15	16.3	37.9					
	70-70									42							
70-96	52	13.3	21.5	26	52	18	14	43.5	15	17.5	40	60	4	4.5	8		

• Performance

Part Number Type	Stage Surface (mm)	Height of Rotation Center H (mm)	Rotation Center Runout	Travel Distance	Resolution (°/division) (Micrometer)	Load Capacity (N)	Moment Load Capacity (N·m)			Moment Rigidity (°/N·cm)			Weight (kg)	Accessory (4 pcs.) TypeM-L	Unit Price
							Pitch	Yaw	Roll	Pitch	Yaw	Roll			
GPG	40-40	40±0.2	0.01mm or Less	±7°	≈42	29.4	1.0	0.8	0.9	1.30	1.15	0.27	0.13	SCB3-6	
	40-60	60±0.2	±4°	≈30											
	40-80	80±0.2		≈23											
	50-50	50±0.2		≈53											
	50-68	68±0.2		≈40											
	50-86	86±0.2		≈33											
	60-50	50±0.2		≈33											
	60-75	75±0.2		≈24											
	60-100	100±0.2		≈18											
	60-125	125±0.2		≈15											
	70-70	70±0.2		≈25											
	70-96	96±0.2		≈19											
70-122	122±0.2		≈15												
GPWG	40-40	40±0.4		(Top)±7°/(Bottom)±4°	(Top)≈42/(Bottom)≈30	27.4	1.0	0.8	0.9	1.57	2.30	1.57	0.26	SCB3-6	
	40-60	60±0.4		(Top)±4°/(Bottom)±4°	(Top)≈30/(Bottom)≈23										
	50-50	50±0.4		(Top)±3°/(Bottom)±3°	(Top)≈53/(Bottom)≈40										
	50-68	68±0.4		(Top)±3°/(Bottom)±3°	(Top)≈40/(Bottom)≈33										
	60-50	50±0.4		(Top)±4°/(Bottom)±4°	(Top)≈33/(Bottom)≈24										
	60-75	75±0.4		(Top)±4°/(Bottom)±3°	(Top)≈24/(Bottom)≈18										
	60-100	100±0.4		(Top)±3°/(Bottom)±2.5°	(Top)≈18/(Bottom)≈15										
	70-70	70±0.4		(Top)±3°/(Bottom)±3°	(Top)≈25/(Bottom)≈19										
70-96	96±0.4		(Top)±3°/(Bottom)±3°	(Top)≈19/(Bottom)≈15											

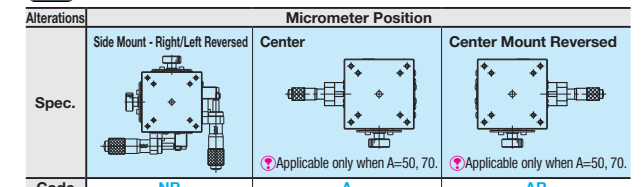
Part Number Type	Stage Surface (mm)	Height of Rotation Center H (mm)	Travel Distance	Resolution (°/division) (Micrometer)	Load Capacity (N)	Moment Load Capacity (N·m)			Moment Rigidity (°/N·cm)			Weight (kg)	Accessory (4 pcs.) TypeM-L	Unit Price
						Pitch	Yaw	Roll	Pitch	Yaw	Roll			
GPWG	40-40	40±0.4	(Top)±7°/(Bottom)±4°	(Top)≈42/(Bottom)≈30	27.4	1.0	0.8	0.9	1.57	2.30	1.57	0.26	SCB3-6	
	40-60	60±0.4	(Top)±4°/(Bottom)±4°	(Top)≈30/(Bottom)≈23										
	50-50	50±0.4	(Top)±3°/(Bottom)±3°	(Top)≈53/(Bottom)≈40										
	50-68	68±0.4	(Top)±3°/(Bottom)±3°	(Top)≈40/(Bottom)≈33										
	60-50	50±0.4	(Top)±4°/(Bottom)±4°	(Top)≈33/(Bottom)≈24										
	60-75	75±0.4	(Top)±4°/(Bottom)±3°	(Top)≈24/(Bottom)≈18										
	60-100	100±0.4	(Top)±3°/(Bottom)±2.5°	(Top)≈18/(Bottom)≈15										
	70-70	70±0.4	(Top)±3°/(Bottom)±3°	(Top)≈25/(Bottom)≈19										
70-96	96±0.4	(Top)±3°/(Bottom)±3°	(Top)≈19/(Bottom)≈15											

⚠ Knob Cover HDCVR13 (Sold Separately): Ø13 micrometer knob diameter can be increased by installing the cover. P.2004

⚠ Extension Cover HDEXT13 (Sold Separately): Ø13 micrometer head knob can be extended. P.2004

Ordering Example
Part Number
 GPG40-40
 GPWG50-50

Alterations
Part Number - (NR, A, AR)
 GPG40-40 - NR
 GPWG50-50 - A



⚠ Mounting dimensions of micrometer head, feed screw and clamp are different from those of standard products. See the CAD data for details.