

[High Precision] Helicoid Screw, Z-Axis Level Stages

High Load Capacity

C-MiSUMI VALUE [Standard] Lab Jack Horizontal Surface Z-Axis Stages

High Load Capacity

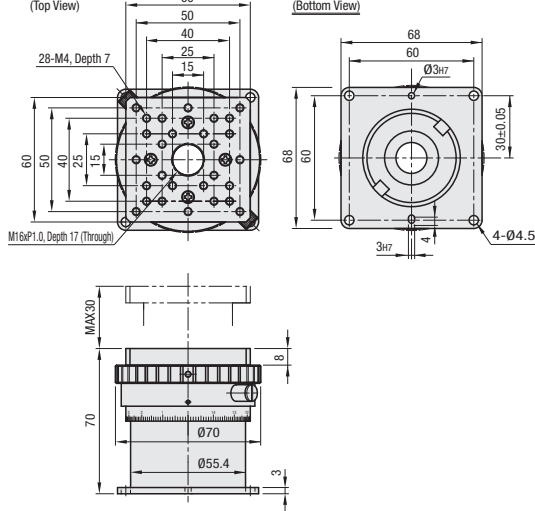
■ **Features:** Longer strokes than the Cross Roller Horizontal Surface Z-Axis Stages and equivalent load capacities to the Lab Jacks. The multi-start screws used prevent plays.

■ Helicoid Screw, Horizontal Surface Z-Axis Stages

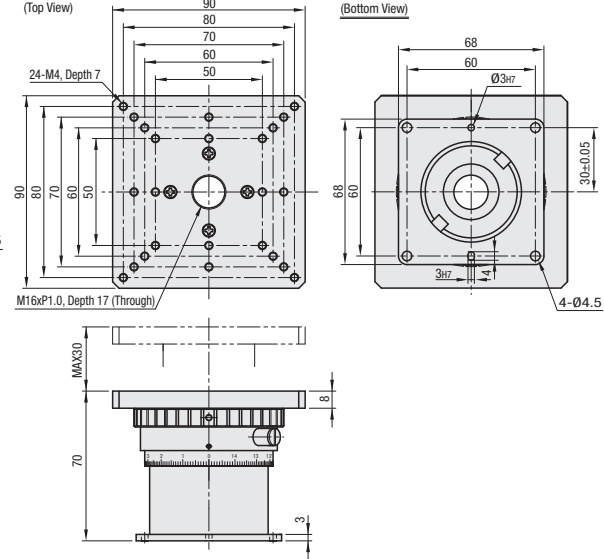


■ With Mount Plates (60, 90 Square)

ZHRD30-60

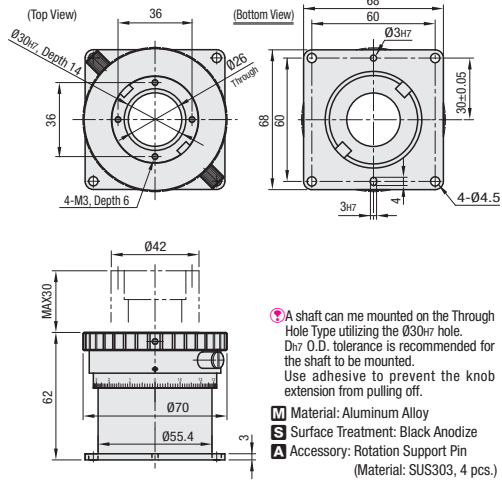


ZHRD30-90



■ Through Hole Type

ZHRD30-T



[Overview: Helicoid Screw, Horizontal Surface Z-Axis Stages]

- ⚠ The top plate does not rotate while the stage is in vertical motions.
- ⚠ The pins (4 included) are removable. Use the stage without pins when the space is limited.
- ⚠ The scale-engraved dial can be rotated. Set a desired position as the zero position and lock the dial with the set screw.
- ⚠ The smallest scale graduation is approximately 0.1 mm. Use the graduations as a reference.
- ⚠ Although two locking clamps are provided for better operability, the stage can be locked with a single clamp. (The multi-start screw used is not susceptible to back-driving when used within the given load capacity.)
- ⚠ When the ring is rotated, the stage will rise or lower without the top plate rotating.
- ⚠ Dowel holes are provided on the mounting plate to assure installation accuracies.

- ⚠ A shaft can be mounted on the Through Hole Type utilizing the $\varnothing 30_{H7}$ hole. ± 0.1 O.D. tolerance is recommended for the shaft to be mounted. Use adhesive to prevent the knob extension from pulling off.
- M Material: Aluminum Alloy
- S Surface Treatment: Black Anodize
- A Accessory: Rotation Support Pin (Material: SUS303, 4 pcs.)

Part Number Type	No.	Stage Surface (mm)	Travel Distance (mm)	Travel per Rotation (mm)	Load Capacity (N)	Parallelism (μm)	Weight (kg)	Accessory (4 pcs.)	Unit Price
ZHRD	30-60	60x60	30	(15) *	68.6	50 μm	0.50	SCB4-8	
	30-90	90x90					0.59		
	30-T	-					0.42		

⚠ When elevating the plate with moment load applied to its top face, some play might occur.

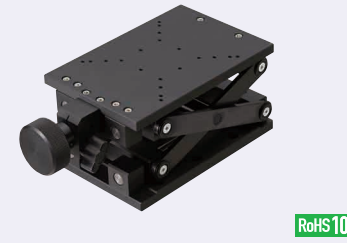
Ordering Example
Part Number
ZHRD30-60

Points on Similar Product Comparison | Parallelism: 400 μm

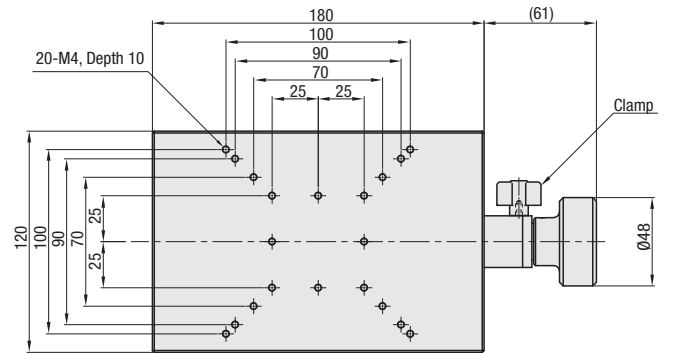
Similar Product Pages P.1977

■ **Features:** Suitable for Z-axis applications requiring long stroke adjustments. Differ from the existing products in accuracy range. Existing Products: ZLJG (P.1977)

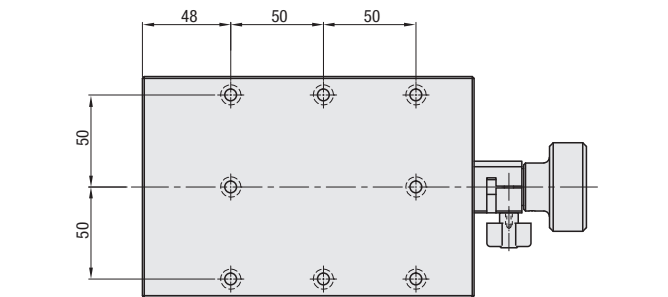
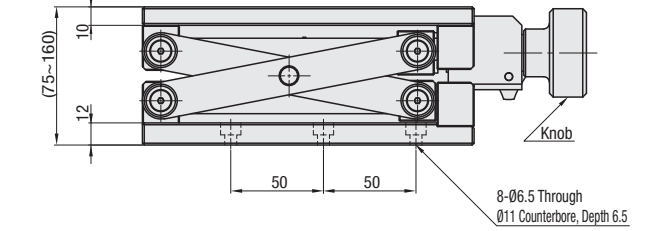
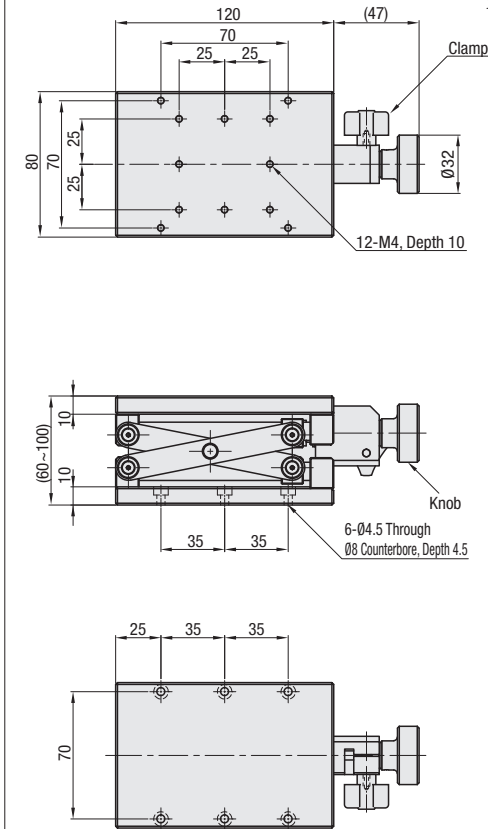
■ Horizontal Surface Z-Axis_Lab Jack



ZLJS120



ZLJS80



- ⚠ Knob operated elevating table with relatively high load capacity. A split clamp on the operating shaft securely holds the load in position.
- ⚠ Counterclockwise rotation of the knob elevates the stage surface.
- ⚠ There is some play in the horizontal direction.

- M Material: Aluminum Alloy
- S Surface Treatment: Black Anodize

Part Number Type	No.	Stage Surface (mm)	Travel Distance (mm)	Travel per Rotation (mm)	Parallelism (μm)	Load Capacity (N)	Weight (kg)	Unit Price
ZLJS	80	80x120	40	(2) *	400	68.6	1.25	
	120	120x180	70	(3) *		98	3	

* The travel distance per knob rotation varies to some extent depending on the current table position.

Ordering Example
Part Number
ZLJS80