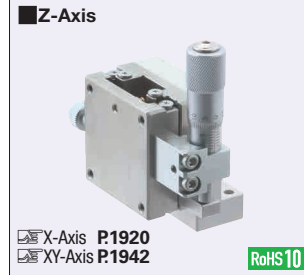


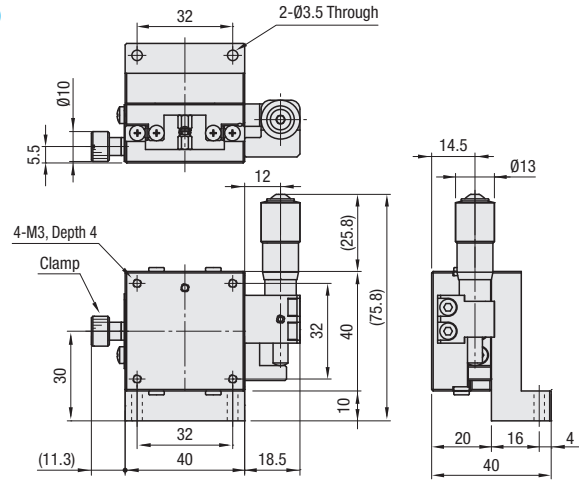
Points on Similar Product Comparison | Travel Accuracy Straightness 10µm

Similar Product Pages P.1966

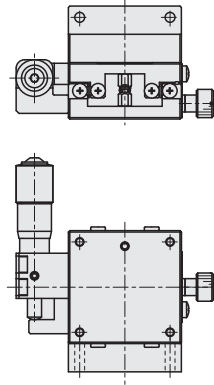
Features: Incorporated Linear Ball Slide Guide mechanism achieves high load capacity.



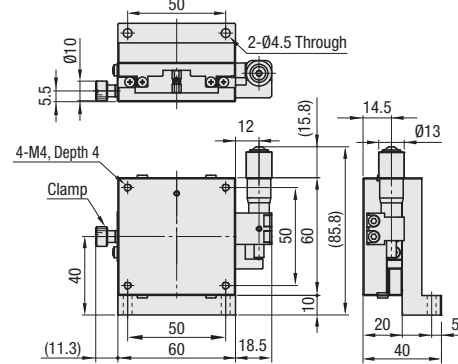
ZLBS40
(Standard)



ZLBS□-CR
(Reversed)



ZLBS60
(Standard)



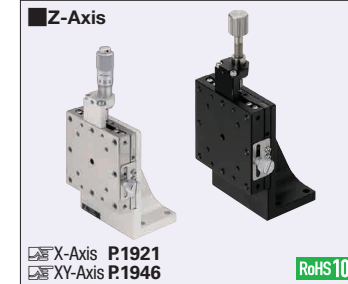
Material: (Main Body) SUS440C, (Bracket) Steel (SS400)
Surface Treatment: (Main Body) Electroless Nickel Plating, (Bracket) Electroless Nickel Plating

High Precision Stage Existing Product: ZSG (P.1966)

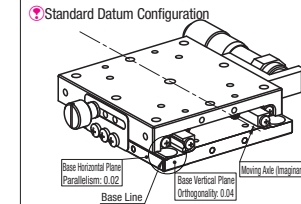
Part Number		Stage Surface (mm)	Travel Distance (mm)	Load Capacity (N)	Minimum Graduation (µm)	Travel Accuracy			Moment Rigidity (N/cm)			Weight (kg)	Included Screw (SUS Hex Socket Low Head Cap Screw)	Unit Price	
Type	No.					Straightness	Pitching	Yawing	Pitching	Yawing	Rolling				
ZLBS	40	No Symbol (Standard)	40x40	±6.5	19.6	10	10µm	30"	25"	0.38	0.35	0.21	0.43	M3-16, 2 pcs.	
	60	CR (Right/Left Reversed)	60x60					35"	30"	0.1	0.08	0.05	0.83	M4-16, 2 pcs.	

Ordering Example
Part Number
ZLBS40

Features: High Precision/rigidity Linear Ball Slide Z-Axis Stages. Further cost savings is possible by selecting the Feed Screw Type. Low Temp. Black Chrome Plated Types are also available. Suitable for applications where light reflections are to be avoided.



Z-Axis of A25 has different bracket configuration.
For top surface mounting dimensions and feed bracket shapes, see Linear Ball Slide X-Axis Stages on P.1921
See the CAD data for details.



MISUMI's Linear Ball Guide Stages have parallel and orthogonal datum in relation to the motion axis. The data are as illustrated.

Standard Stages Similar Products: ZLBS (P.1965)

Micrometer Head (ZSG, ZSGB) / Feed Screw (ZSCG, ZSCGB)

Part Number	Front View										Side View				Top View				Accessory (4 pcs.)		
	Type	A	H	(C)		F	K	J	D	G	N	W	t	P	Q	X	Y	y	Z	d	Type M-L
ZSG	25*	12.5	37	23	±3.2	13	10	6.6	9.3	10	12	20	5	6	3.5	20	10	2.5	19.5	2.5	SCB2-8
ZSCG	40*	35	58.5	55	±6.5	20	14	11.3	13	13	14	31	5	10	5.5	32	16	4	25	3.5	SCB3-10
ZSGB (* only)	50*	30				20	19	11.3	13	13	14	57	5	10	5.5	40	40	6	25	3.5	SCB3-10
ZSCGB (* only)	60*	25				20	24	11.3	13	13	14	42	8	10	5.5	50	25	5	26	4.5	SCB4-12
	70*	25				20	23.5	11.3	13	14	16	55	8	10	6.5	40	40	4	27	3.5	SCB3-12
	80*	20	96		±12.5*1	24	25	11.3	18	16.5	20	45	7	10	5.5	50	25	5	35	4.5	SCB4-12

*1. When A=80, the feed screw (ZSCG, ZSCGB) travel is ±6.5.

Performance

Part Number	Type	Stage Surface (mm)	Load Capacity (N)	Travel Accuracy			Moment Load Capacity (N·m)			Moment Rigidity (N/cm)			Weight (kg)	Unit Price			
				Straightness	Pitching	Yawing	Pitching	Yawing	Rolling	Pitching	Yawing	Rolling		ZSG	ZSCG	ZSGB	ZSCGB
ZSG	25*	25x25	9.8	3µm	30"	25"	2.0	2.0	3.5	1.90	1.10	1.10	0.23				
ZSCG	40*	40x40	49	1µm	*2	15"	5.0	5.0	5.0	0.42	0.35	0.21	0.32				
ZSGB (* only)	50*	50x50					6.8	6.8	6.0	0.15	0.14	0.09	0.44				
ZSCGB (* only)	60*	60x60					10.0	10.0	9.0	0.08	0.08	0.05	0.58				
	70*	70x70					13.8	13.8	12.9	0.06	0.05	0.03	0.84				
	80*	80x80					18.2	18.2	17.7	0.04	0.04	0.02	1.20				

*2. ZSGB and ZSCGB straightness is 3µm.

Ordering Example
Part Number
ZSG60
ZSGB60

Alterations
Part Number - (C, CR, CU, H, P)
ZSG40 - C

Mounting dimensions of micrometer head, feed screw and clamp are different from those of standard products. See the CAD data for details.
For micrometer head or feed screw mounted in positions other than shown below, see "Specification Selectable Type" (P.1989).

Alterations	Position of Micrometer Head and Feed Screw			Reinforced Clamp	
	Side Up	Side Up and Right/Left Reversed	Side Down	Disc Clamp	Opposed Clamp
Spec.					
Code	C	CR	CU	H	P

Knob Cover HDCVR13 (Sold Separately): Ø13 micrometer knob diameter can be increased by installing the cover. P.2004
Extension Cover HDEXT13 (Sold Separately): Feed knob of Ø13 micrometer head and feed screw can be extended. P.2004
For 25 Square Opposed Clamp, the bracket material is SUS303.