

[High Precision] X-Axis, Linear Ball Slide

High Load Capacity, Compact Carriage

[High Precision] X-Axis, Linear Ball Slide / Knob Covers

Opposed Clamp with Knob

Features: Compact stages with ±12.5 ~ 25mm strokes.

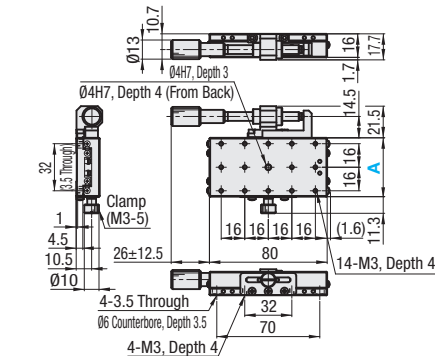
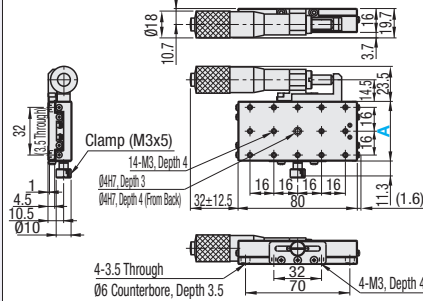
X-Axis, High Load Capacity, Compact Carriage

Micrometer Head

Feed Screw

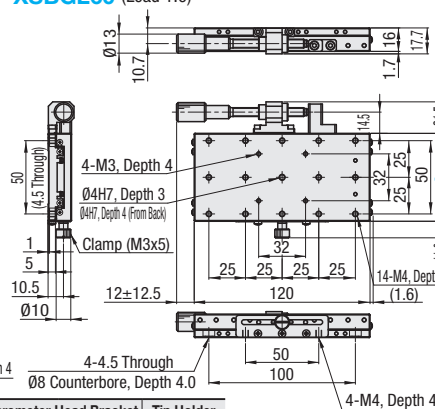
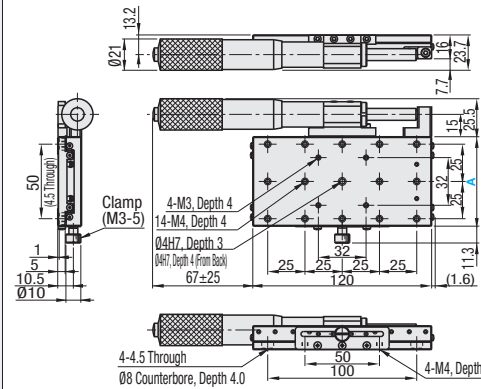
XSG40

XSBGL40 (Lead 1.0)



XSG60

XSBGL60 (Lead 1.0)



Main Body	Ball	Spring	Micrometer Head Bracket	Tip Holder
Material	Surface Treatment	Material	Hardness	Material
SUS440C	Electroless Nickel Plating	SUS440C	58HRC	SUS304WPB
		A5052	Clear Anodize	SUS303

For Micrometer Head and Feed Screw materials, see P.2005 and P.2006.

Part Number	Stage Surface Distance (mm)	Travel Distance (mm)	Load Capacity (N)	Travel Accuracy			Moment Load Capacity (N·m)			Moment Rigidity (°/N·cm)			Weight (kg)	Accessory (4 pcs.)	Unit Price				
				Horizontal	Vertical	Straightness	Pitching	Yawing	Rolling	Pitching	Yawing	Rolling			Type	M-L			
XSG40	40	40x80	±12.5	147	49	3µm	8µm	25"	15"	6.8	6.8	5	0.15	0.13	0.25	20µm	0.44	CBM3-6	
XSBGL60	60	60x120	±25*	196						10	10	6.8	0.08	0.07	0.14	20µm	0.98	CBM4-6	

- XSG40 Micrometer Head Resolution: 10µm/division * Feed Screw Type (XSBGL) stroke is ±12.5.
- Knob Cover HDCVR13 (Sold Separately): Ø13 feed screw can be increased in diameter by installing the cover. P.2004
- Extension Cover HDEXT13 (Sold Separately): Ø13 feed screw knob can be extended. P.2004
- Cautions for Z-Axis Mounting P.1891

Ordering Example

Part Number
XSG40
XSBGL60

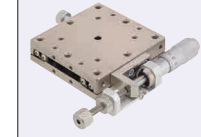
Alterations

Part Number - (CR, A, AR)
XSG40 - A

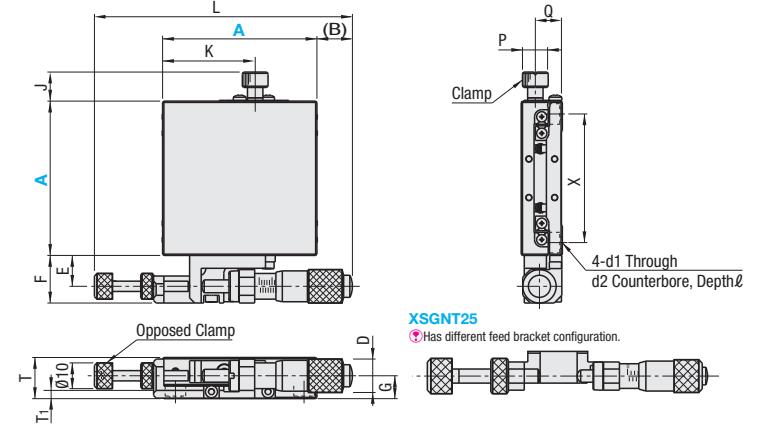
Alterations	Micrometer Head Position		
	Side Mount - Right/Left Reversed	Center	Center Mount Reversed
Spec.			
Code	CR	A	AR

Features: Side mounted micrometer shaft is opposed by a knobbed screw to improve vibration resistance and secures greater locking power.

X-Axis, Opposed Clamp with Knob



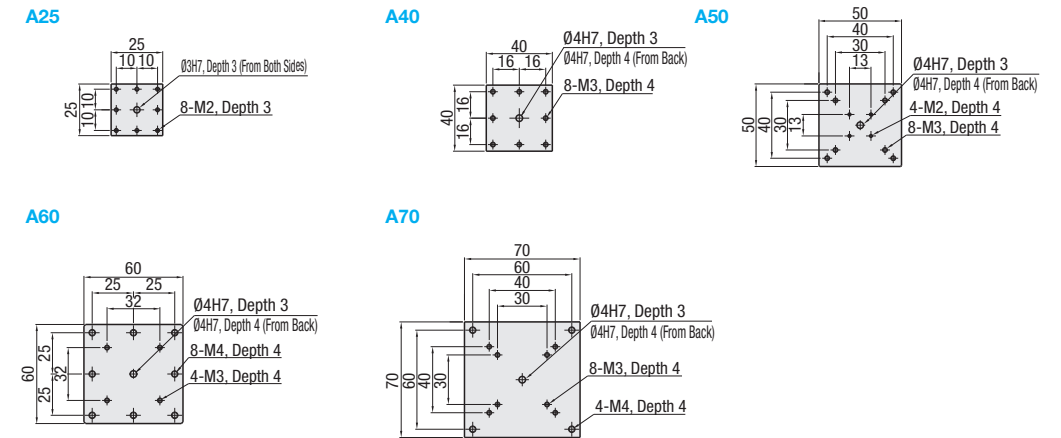
XY-Axis P.1950 RoHS10



- Bracket material will be different when A=25.
- For micrometer head and opposed clamp materials, see Adjust Screws ANKSS on P.1713.
- There is a hex socket (2.5mm hex, depth 2.5) on the end of the Opposed Clamp screw.

Type	Main Body	Ball	Spring	Micrometer Head Bracket	Tip Holder
	Material	Surface Treatment	Material	Hardness	Material
XSGNT	SUS440C	Electroless Nickel Plating	SUS440C	58HRC~	SUS304WPB
				A5052	Clear Anodize
				SUS303*	

Mounting Hole Dimensions of the Top Table



Part Number	Top View						Front View				Side View				Accessory (4 pcs.)			
	Type	A	(B)	E	F	J	K	L	D	G	T	T ₁	P	Q		X	d ₁	d ₂
XSGNT	25	30	7	12	6.8	15	84.5	9.3	6.7	12	3.7	6	8.5	20	2.5	4.2	2.5	SCB2-4
	40	23.8				26								32	3.5	6	3.5	SCB3-6
	50	18.8	12	18.5	11.3	31	100.3	13	8.9	16	4.5	10	10.5	40				
	60	13.8				36					5			50	4.5	8	4	SCB4-6
	70	14.3				46.5					10	18	6	11.5	60			

Performance

Part Number	Stage Surface	Travel Distance (mm)	Load Capacity (N)	Travel Accuracy			Moment Load Capacity (N·m)			Moment Rigidity (°/N·cm)			Parallelism	Weight (kg)	Unit Price		
				Horizontal	Vertical	Straightness	Pitching	Yawing	Pitching	Yawing	Rolling	Pitching				Yawing	Rolling
XSGNT	25	25x25	±3.2	39.2	9.8	3µm	10µm	30"	2.0	2.0	3.5	1.9	1.1	1.1	30µm	0.07	
	40	40x40		98					5.0	5.0	5.0	0.42	0.35	0.21		0.23	
	50	50x50		147					6.8	6.8	6.0	0.15	0.14	0.09		0.28	
	60	60x60	±6.5	196	49	1µm	7µm	25"	15"	10.0	10.0	9.0	0.08	0.08	0.05	15µm	0.40
	70	70x70		225.4					13.8	13.8	12.9	0.06	0.05	0.03		0.58	

- Micrometer Head Resolution: 10µm/division
- Knob Cover HDCVR13 (Sold Separately): Ø13 micrometer head or feed screw knob can be increased in diameter to Ø30 by installing the cover. P.2004
- Extension Cover HDEXT13 (Sold Separately): Feed knob of Ø13 micrometer head and feed screw can be extended. P.2004

Ordering Example

Part Number
XSGNT60

For orders larger than indicated quantity, please request a quotation.