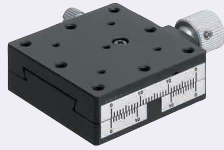


[High Precision] Dovetail Slide, Feed Screw

Hex Wrench Drive

■ Features: Low profile (height 15mm ~) dovetail slide stages with feed screws.

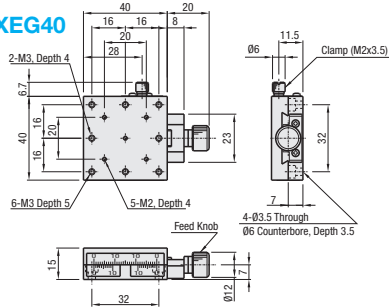
■ X-Axis
(Lead 0.5mm)



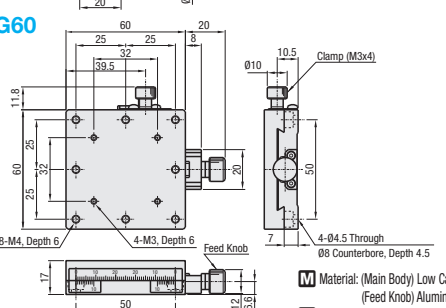
XY-Axis P.1933
Z-Axis P.1962

RoHS10

XEG40



XEG60



M Material: (Main Body) Low Cadmium Brass
(Feed Knob) Aluminum
S Surface Treatment: Black Fluororesin Treatment

⚙ Standard Stages Similar Products: XFES (P.1896)

Part Number Type	No.	Stage Surface (mm)	Travel Distance (mm)	Travel per Rotation (mm)	Load Capacity (N)		Travel Accuracy (μm)			Moment Load Capacity (N·m)			Parallelism	Weight (kg)	Accessory		Unit Price				
					Horizontal	Vertical	Straightness	Parallelism	Pitching	Yawing	Rolling	Type M-L			Quantity						
XEG	25	25x25	±5	0.5	29.4	9.8	30	30	2.0	1.5	1.3	40μm	0.07	SCB2-8	4						
	40	40x40	±7														4.0	3.0	3.0	0.19	SCB3-6
	60	60x60	±9														5.0	4.0	4.0	0.60	SCB4-6

⚙ Resolution (Vernier Scale Indication): 0.1mm/division

⚙ Extension Cover HDEXT12 (Sold Separately): Ø12 feed screw knob can be extended. P.2004

⚙ XY-Axis Mounting Plate XPLTE: Use this plate when connecting stages with non-matching mounting holes. P.1915

Ordering Example
Part Number XEG25

Alterations
Part Number XEG25 - R

Alteration		Clamp Position Change (Right/Left Reversed)
Spec.		
Code		R

⚙ See the CAD data for details.

■ Features: No knob is required since a hex wrench is used to feed the stage, making for a space saving form factor. Unintended position changes can be prevented since the stage cannot be operated without a hex wrench.

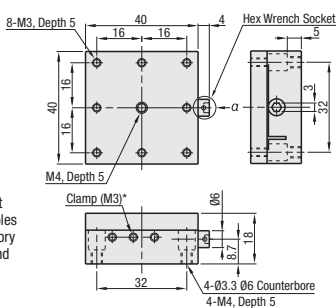
■ X-Axis, Hex Wrench Drive
(Lead 0.5mm)



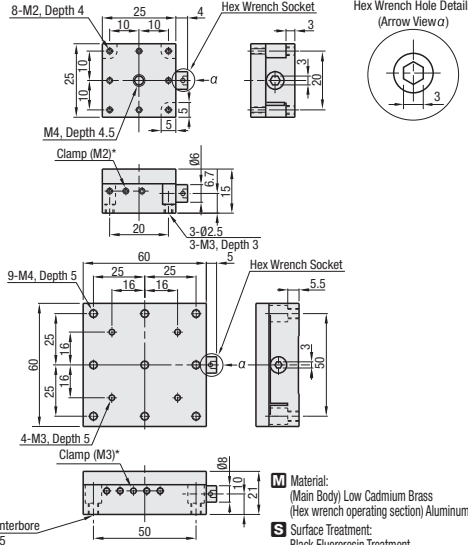
XY-Axis P.1933
Z-Axis P.1962

RoHS10

XEEG40



XEEG60



M Material: (Main Body) Low Cadmium Brass
(Hex wrench operating section) Aluminum
S Surface Treatment: Black Fluororesin Treatment

Part Number Type	No.	Stage Surface (mm)	Travel Distance (mm)	Travel per Rotation (mm)	Load Capacity (N)		Travel Accuracy (μm)			Moment Load Capacity (N·m)			Parallelism	Weight (kg)	Accessory		Unit Price				
					Horizontal	Vertical	Straightness	Parallelism	Pitching	Yawing	Rolling	Type M-L			Quantity						
XEEG	25	25x25	±3	0.5	29.4	9.8	30	80	2.0	1.5	1.3	50μm	0.06	SCB2-8	3						
	40	40x40	±5														4.0	3.0	3.0	0.22	SCB3-6
	60	60x60	±7														5.0	4.0	4.0	0.52	SCB4-6

⚙ Resolution (Vernier Scale Indication): 0.1mm/division (XEEG has no vernier scale)

⚙ Extension Cover HDEXT12 (Sold Separately): Ø12 feed screw knob can be extended. P.2004

⚙ XY-Axis Mounting Plate XPLTE: Use this plate when connecting stages with non-matching mounting holes. P.1915

Ordering Example
Part Number XEEG60

[High Precision] Dovetail Slide, Feed Screw

Extended Knob / Reinforced Clamp

■ Features: Effective when feed knobs are difficult to turn due to the carriage mounted objects interfere, or when the knobs are hard to reach since the stage is deeply embedded inside a machine. Use adhesive to prevent the knob extension from pulling off.

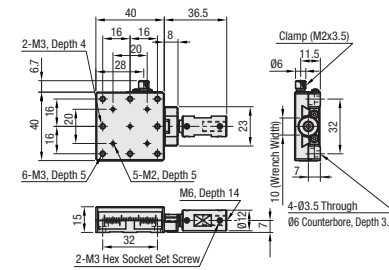
■ X-Axis, Extended Knob
(Lead 0.5mm)



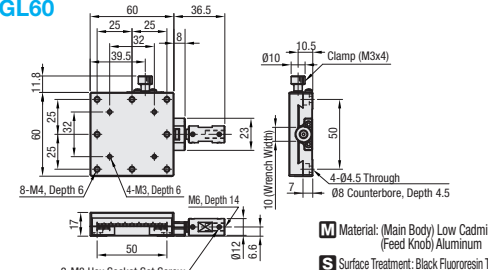
XY-Axis P.1934
Z-Axis P.1963

RoHS10

XEGL40



XEGL60



M Material: (Main Body) Low Cadmium Brass
(Feed Knob) Aluminum
S Surface Treatment: Black Fluororesin Treatment

Part Number Type	No.	Stage Surface (mm)	Travel Distance (mm)	Travel per Rotation (mm)	Load Capacity (N)		Travel Accuracy (μm)		Moment Load Capacity (N·m)			Parallelism	Weight (kg)	Accessory (4 pcs.)		Unit Price				
					Horizontal	Vertical	Straightness	Parallelism	Pitching	Yawing	Rolling			Type M-L	Quantity					
XEGL	25	25x25	±5	0.5	29.4	9.8	30	30	2.0	1.5	1.3	40μm	0.1	SCB2-8						
	40	40x40	±7													4.0	3.0	3.0	0.2	SCB3-6
	60	60x60	±9													5.0	4.0	4.0	0.5	SCB4-6

⚙ Resolution (Vernier Scale Indication): 0.1mm/division

⚙ Extension Cover HDEXT12 (Sold Separately): Ø12 feed screw knob can be extended. P.2004

⚙ XY-Axis Mounting Plate XPLTE: Use this plate when connecting stages with non-matching mounting holes. P.1915

Ordering Example
Part Number XEGL60

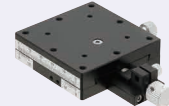
Alterations
Part Number XEGL60 - R

Alteration		Clamp Position Change (Right/Left Reversed)
Spec.		
Code		R

⚙ See the CAD data for details.

■ Features: The feed knob shaft is clamped directly for improved position holding performance of the stage.

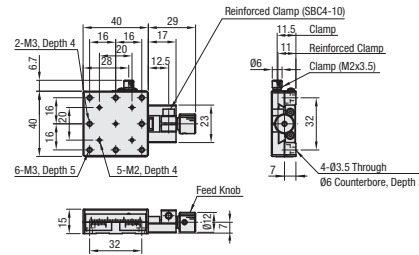
■ X-Axis, Reinforced Clamp
(Lead 0.5mm)



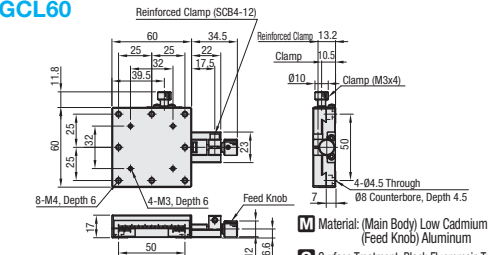
XY-Axis P.1934
Z-Axis P.1963

RoHS10

XEGL40



XEGL60



M Material: (Main Body) Low Cadmium Brass
(Feed Knob) Aluminum
S Surface Treatment: Black Fluororesin Treatment

Part Number Type	No.	Stage Surface (mm)	Travel Distance (mm)	Travel per Rotation (mm)	Load Capacity (N)		Travel Accuracy (μm)		Moment Load Capacity (N·m)			Parallelism	Weight (kg)	Accessory (4 pcs.)		Unit Price				
					Horizontal	Vertical	Straightness	Parallelism	Pitching	Yawing	Rolling			Type M-L	Quantity					
XEGL	25	25x25	±5	0.5	29.4	9.8	30	30	2.0	1.5	1.3	40μm	0.08	SCB2-8						
	40	40x40	±7													4.0	3.0	3.0	0.20	SCB3-6
	60	60x60	±9													5.0	4.0	4.0	0.50	SCB4-6

⚙ Resolution (Vernier Scale Indication): 0.1mm/division

⚙ Extension Cover HDEXT12 (Sold Separately): Ø12 feed screw knob can be extended. P.2004

⚙ XY-Axis Mounting Plate XPLTE: Use this plate when connecting stages with non-matching mounting holes. P.1915

Ordering Example
Part Number XEGL40

Alterations
Part Number XEGL60 - R

Alteration		Clamp Position Change (Right/Left Reversed)
Spec.		
Code		R

⚙ See the CAD data for details.
⚙ Reinforced Clamp position will not change when an alteration R is specified.