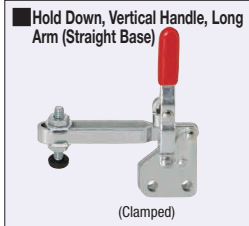


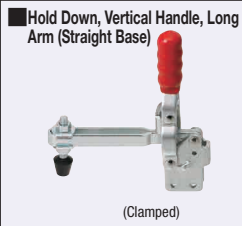
Toggle Clamps

Hold Down, Vertical Handle, Long Arm (Straight Base)

1N=0.101972kgf

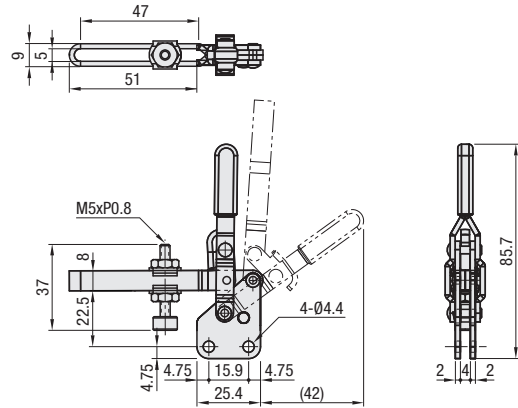


Part Number	MC04-1LS
Body Material	SS400
Surface Treatment	Trivalent Chromate
Tightening Force (N)	186
Weight (g)	75
Arm Open-Close Angle	104°
Handle Open-Close Angle	62°
Accessory	Bolt with Rubber Material: NBR Hardness: Shore A70
Unit Price	

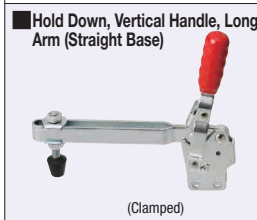
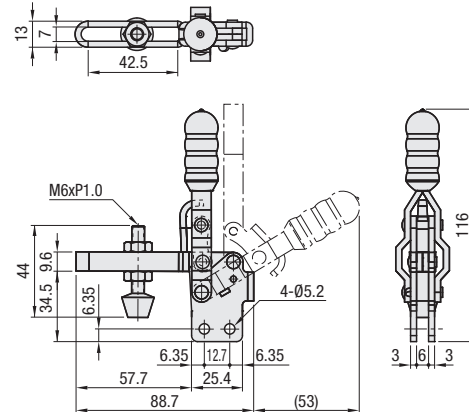


Part Number	MC04-2LS
Body Material	SS400
Surface Treatment	Trivalent Chromate
Tightening Force (N)	392
Weight (g)	175
Arm Open-Close Angle	98°
Handle Open-Close Angle	62°
Accessory	Bolt with Rubber Material: NBR Hardness: Shore A70
Unit Price	

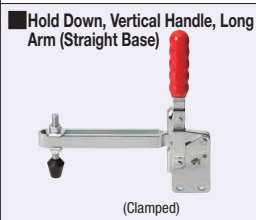
MC04-1LS



MC04-2LS

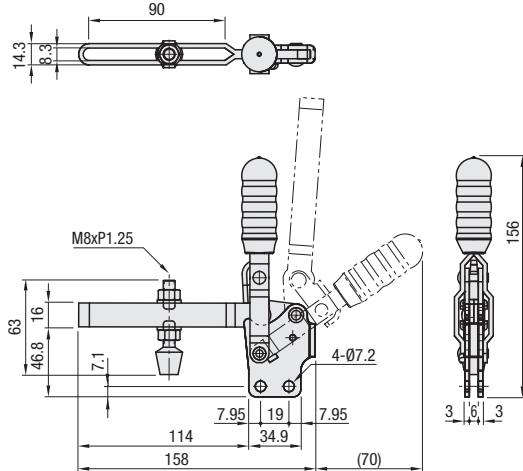


Part Number	MC04-3LS
Body Material	SS400
Surface Treatment	Trivalent Chromate
Tightening Force (N)	784
Weight (g)	370
Arm Open-Close Angle	105°
Handle Open-Close Angle	59°
Accessory	Bolt with Rubber Material: NBR Hardness: Shore A70
Unit Price	

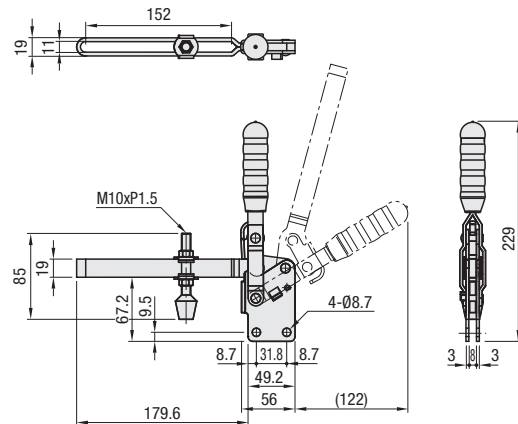


Part Number	MC04-4LS
Body Material	SS400
Surface Treatment	Trivalent Chromate
Tightening Force (N)	1078
Weight (g)	815
Arm Open-Close Angle	118°
Handle Open-Close Angle	73°
Accessory	Bolt with Rubber Material: NBR Hardness: Shore A70
Unit Price	

MC04-3LS



MC04-4LS



Ordering Example **Part Number**
MC04-3LS

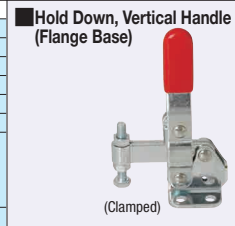
Toggle Clamps

Hold Down, Vertical Handle (Flange Base)

1N=0.101972kgf

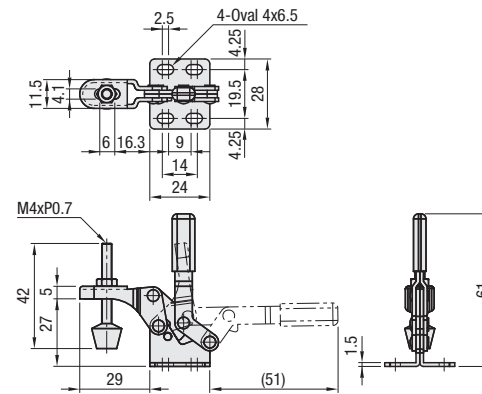


Part Number	MC04-6	MC04-S6
Body Material	SS400	SUS304
Surface Treatment	Trivalent Chromate	-
Tightening Force (N)	294	-
Weight (g)	40	-
Arm Open-Close Angle	85°	-
Handle Open-Close Angle	90°	-
Accessory	Bolt with Rubber Material: NBR Hardness: Shore A70	With Rubber Stainless Steel Bolt
Unit Price		

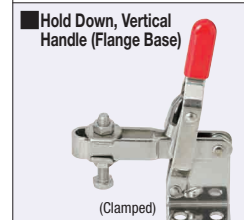
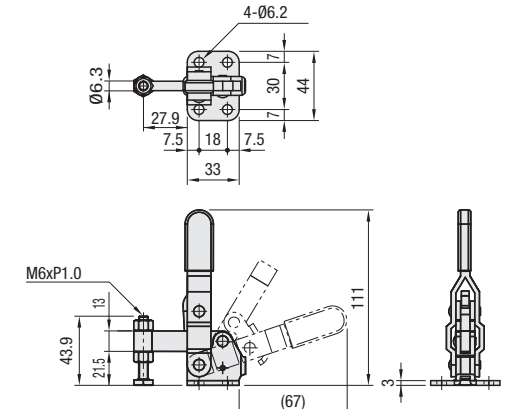


Part Number	MC04-7	MC04-S7
Body Material	SS400	SUS304
Surface Treatment	Trivalent Chromate	-
Tightening Force (N)	980	-
Weight (g)	200	-
Arm Open-Close Angle	105°	-
Handle Open-Close Angle	67°	-
Accessory	Steel Bolt	Stainless Steel Bolt
Unit Price		

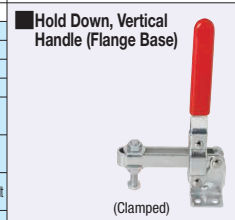
MC04-6 MC04-S6 (Stainless Steel)



MC04-7 MC04-S7 (Stainless Steel)

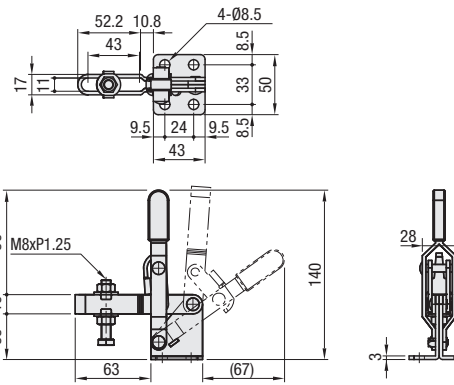


Part Number	MC04-8	MC04-S8
Body Material	SS400	SUS304
Surface Treatment	Trivalent Chromate	-
Tightening Force (N)	1470	-
Weight (g)	370	-
Arm Open-Close Angle	98°	-
Handle Open-Close Angle	56°	-
Accessory	Steel Bolt	Stainless Steel Bolt
Unit Price		

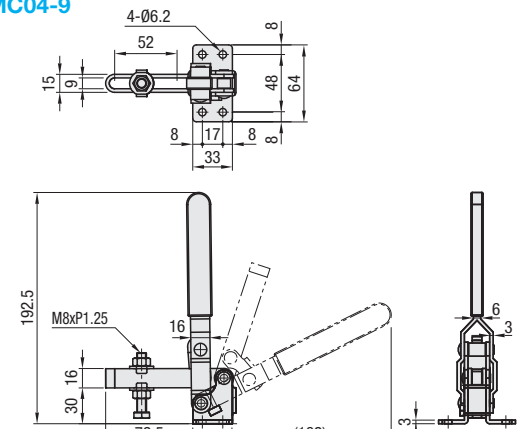


Part Number	MC04-9
Body Material	SS400
Surface Treatment	Trivalent Chromate
Tightening Force (N)	1960
Weight (g)	420
Arm Open-Close Angle	108°
Handle Open-Close Angle	71°
Accessory	Steel Bolt
Unit Price	

MC04-8 MC04-S8 (Stainless Steel)



MC04-9



Ordering Example **Part Number**
MC04-6

Combination of these app. examples can be selected on our website.
Example Selection Procedure Details **P87**

e-Catalog Search Keyword **#MA555** **Search**
* Enter the search keyword in the search box on e-Catalog. The search result will be shown in "Modular Assembler" area.

