

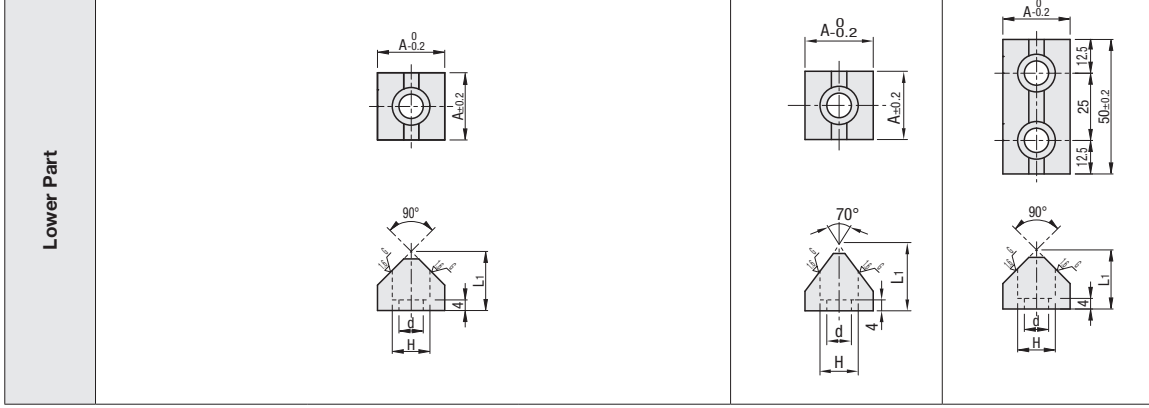
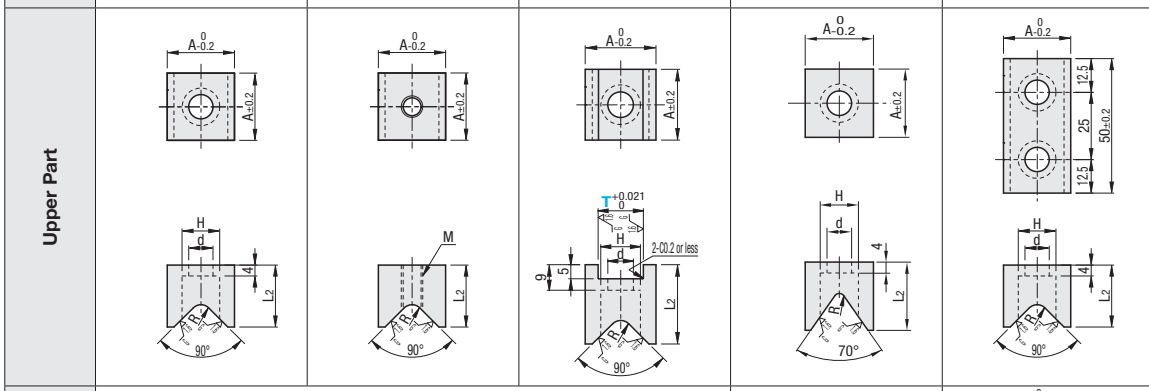
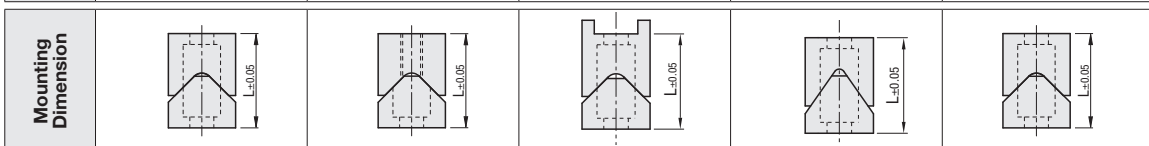
# V-Shaped Locating Block Sets

## Flat Bottom Type

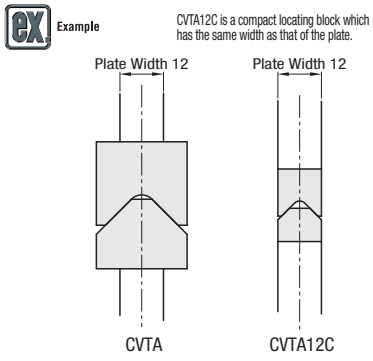
■ **Features:** The V Groove 70° Type has wider contacting surface compared to that of the 90° Type, suitable for misalignment prone rotating fixtures.



Type	Standard CVTA, CVTA12C CVTA16C, CVTAS CVTACS	Tapped Hole CVTAT CVTAST	Upper Plate Holding CVTAB CVTABS	V Groove 70° CVTAK	Long CVTAL
------	-------------------------------------------------------	--------------------------------	----------------------------------------	-----------------------	---------------



Type	Part Number	T	L	L1	L2	A	H	d	R	M (Coarse)	Unit Price	Volume Discount Rate
Standard	CVTA	12	35	22	23	25	14	9	4	-		
	CVTA12C	12	20	12	13	12	8	4.5	2	-		
	CVTA16C	16	25	16	16	16	7	4	2	-		
	CVTAS	16	25	16	16	16	11	7	4	-		
	CVTACS	19	25	17	20	20	7	4	2	-		
Tapped Hole Type	CVTAT	12	35	22	23	25	14	9	4	M8		
	CVTAST	12	25	16	19	25	11	7	4	M6		
Upper Plate Holding Type	CVTAB	12	35	20	26	20	9.5	5.5	2	-		
	CVTAB	16	35	22	28	25	14	9	4	-		
	CVTABS	12	25	14	22	20	9.5	5.5	2	-		
V Groove 70° Type	CVTAK	12	35	25	25	25	14	9	2	-		
	CVTAL	19	35	22	23	25	14	9	4	-		

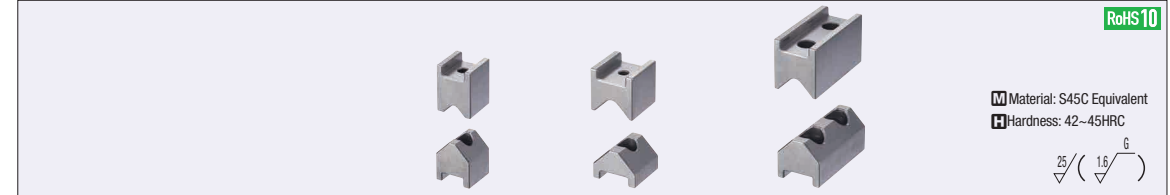


Ordering Example  
Part Number  
CVTA  
CVTA12

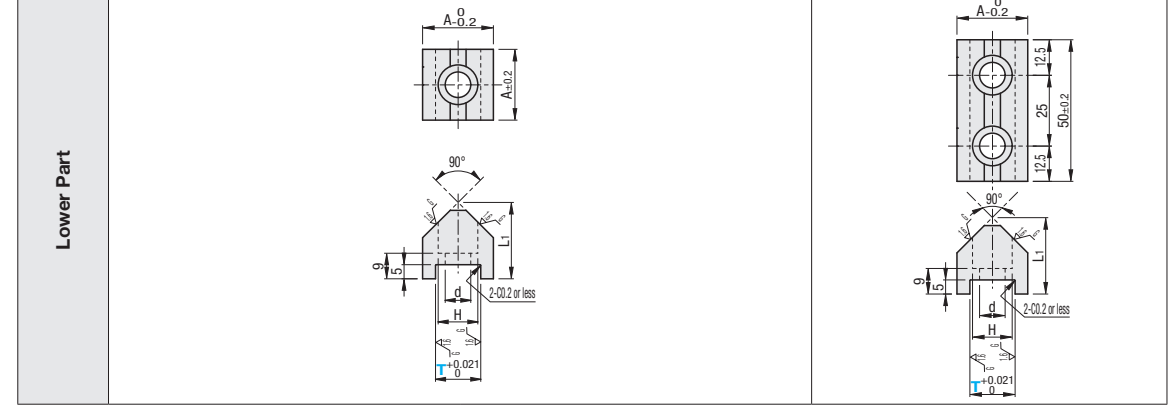
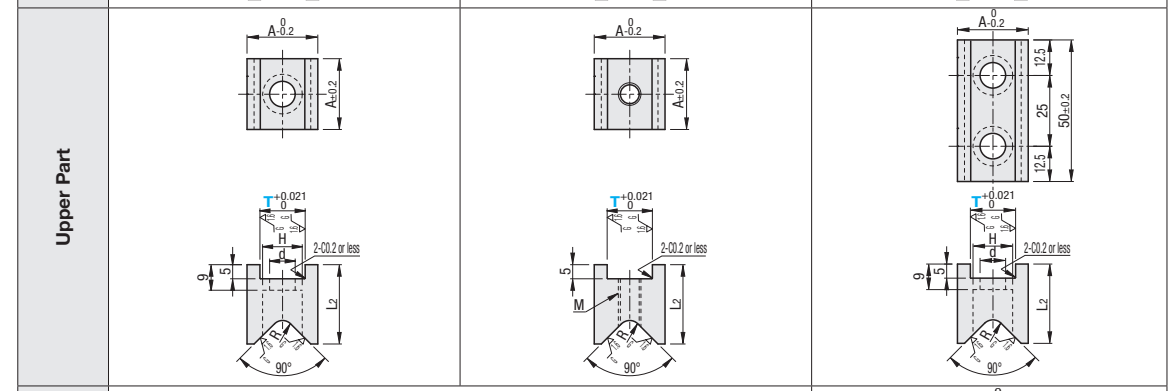
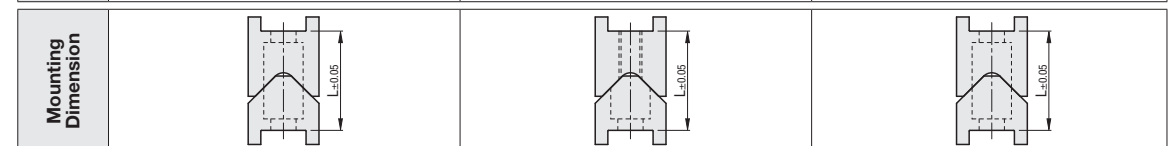
# V-Shaped Locating Block Sets

## Plate Holding Type

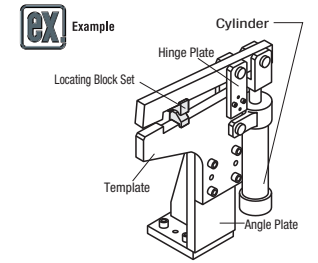
■ **Features:** Plate holders on upper/lower sides enable easy mounting on thin flat bars.



Type	Standard CVTB CVTBS	Tapped Hole CVTBST	Long CVTBL
------	---------------------------	-----------------------	---------------



Type	Part Number	T	L	L1	L2	A	H	d	R	M (Coarse)	Unit Price	Volume Discount Rate
Standard	CVTB	12	35	25	26	20	9.5	5.5	2	-		
	CVTB	16	35	27	28	25	14	9	4	-		
	CVTBS	12	25	19	22	20	9.5	5.5	2	-		
Tapped Hole Type	CVTBST	16	25	21	24	25	11	7	4	M6		
Long Type	CVTBL	12	35	25	26	20	9.5	5.5	2	-		
	CVTBL	16	35	27	28	25	14	9	4	-		
	CVTBL	19	35	27	28	25	14	9	4	-		



Ordering Example  
Part Number  
CVTB16