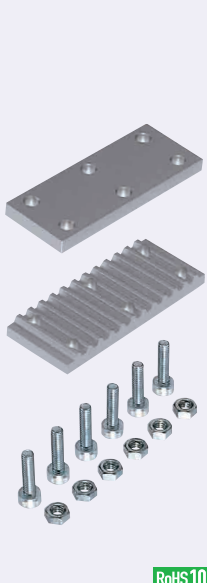


# Timing Belt Clamp Plates

## Nut Tightening Type

# Timing Belt Clamp Plates

## Bottom Metal Short



**TBCS** (①Rack + ②Support Plate)

①Rack

②Support Plate

Material: A6N01-T5 | Surface Treatment: Clear Anodize | Accessory: Hex Socket Head Cap Screws, Nuts

Ⓜ The tooth profile complies with Open End Belts and Timing Belts.  
Ⓜ Belt width complies with Timing Belts.

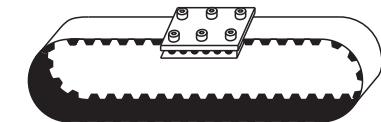
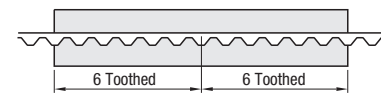
RoHS 10

Part Number	Type	Belt Type	Belt Nominal Width	W	A	B	T <sub>1</sub>	T <sub>2</sub>	h	L	P	Included Screw	d	Number of Mounting Holes	Unit Price
TBCS (①+②)	MXL	025	6.4	26	18	4	4	0.51	19	11	M3-12	3.4	6		
		037	9.5												22
	XL	050	12.7	66	24	6	5	1.25	56	12	M4-15	4.5	8		
		025	6.4		24										
		031	7.9		25										
	L	037	9.5	124	26	8	5	1.90	111	14	M5-20	5.5	8		
		050	12.7		32										
		075	19.1		38										
	H	100	25.4	165	46	10	5	2.30	147	16	M5-20	5.5	8		
		075	19.1		38										
		100	25.4		46										
	S2M	150	38.1	26	58	4	4	0.76	18	18	M3-12	3.4	6		
		200	50.8		70										
		040	4		16										
	S3M	060	6	39	18	5	5	1.14	31	10	M3-12	3.4	6		
		100	10		22										
		150	15		28										
	S5M	100	10	65	26	6	5	1.81	51	16	M4-15	4.5	8		
		150	15		32										
		250	25		42										
S8M	150	15	104	34	8	5	2.85	84	22	M5-20	5.5	8			
	250	25		44											
	300	30		50											
T5	400	40	65	60	6	5	1.2	51	47	M4-15	4.5	6			
	100	10		26											
	150	15		32											
T10	200	20	130	38	8	5	2.5	111	21	M5-20	5.5	8			
	250	25		44											
	300	30		50											

Ⓜ Metal fitting of S□M type can be used with a P□M type belt.  
 Ⓜ \* MXL025 is available for belt of MXL019.  
 Ⓜ Do not machine mounting holes in a belt.  
 Ⓜ The A Dimension is set for engaging 6 teeth (fitting).

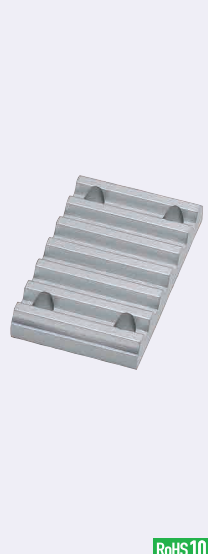
Ordering Example

Part Number		
Type	Belt Type	Belt Nominal Width
TBCS	- XL	025



Ⓜ Also can be used as metal fittings for the Open End Belts.

Features: Timing Belt Clamp Plates with specifiable mounting hole positions.



**TBCR**

(6 Mounting Holes)

(4 Mounting Holes)

Installation Example

Ⓜ The tooth profile complies with Open End Belts and Timing Belts.  
 Ⓜ Belt width complies with Timing Belts.

Ⓜ Material: A6N01-T5 | Surface Treatment: Clear Anodize

RoHS 10

Part Number	Type	Belt Type	Belt Nominal Width	W	A	B	T	h	L	P	d	Number of Mounting Holes	Unit Price
TBCR	XL	025	6.4	36	24	6	1.25	25	12	M3-12	3.4	6	
		031	7.9										14
		037	9.5										16
		050	12.7										20
	L	050	12.7	66	30	8	1.9	50	26	5.5	M5-20	5.5	4
		075	19.1		38								
		100	25.4		46								
		150	38.1		58								
	H	075	19.1	89	38	10	2.3	70	33	5.5	M5-20	5.5	6
		100	25.4		46								
		150	38.1		58								
		200	50.8		70								
	S3M	060	6	21	20	4	1.14	15	11	3.4	M3-12	3.4	4
		100	10		15								
		150	15		20								
	S5M	100	10	35	26	6	1.81	25	16	4.5	M4-15	4.5	4
		150	15		32								
		250	25		42								
	S8M	150	15	56	34	8	2.85	40	22	5.5	M5-20	5.5	4
		250	25		44								
300		30	50										
400		40	60										
T5	100	10	35	26	6	1.2	25	16	4.5	M4-15	4.5	4	
	150	15		32									
	200	20		38									
	250	25		43									
T10	150	15	70	34	8	2.5	50	22	5.5	M5-20	5.5	6	
	200	20		40									
	250	25		44									
	300	30		50									

Ⓜ Metal fitting of S□M type can be used with a P□M type belt.

Ordering Example

Part Number		
Type	Belt Type	Belt Nominal Width
TBCR	- XL	025

