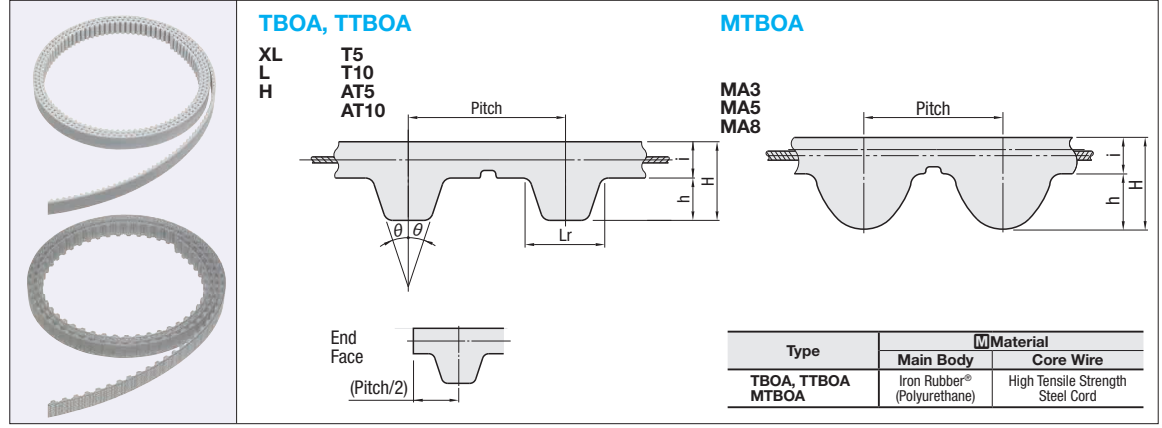


Open End Belts - Iron Rubber®

■ Features: The Open End Belt Iron Rubber Type with good tensile strength.
 ■ For Connection Fittings, refer to P.1483.



Belt Type	Pitch	2θ(°)	H	h	i	Lr	Unit Mass g/m (Width: 10mm)
XL	5.08	50°	2.3	1.27	1.03	2.57	22.0
L	9.525	40°	3.6	1.69	1.91	4.65	36.2
H	12.7	40°	4.3	2.29	2.01	6.12	41.7
T5	5	40°	2.2	1.2	1.0	2.67	20.8
T10	10	40°	4.5	2.5	2.0	5.32	40.0
AT5	5	50°	2.7	1.2	1.5	-	36.0
AT10	10	50°	4.5	2.5	2.0	-	60.0

Type	Material	
	Main Body	Core Wire
TBOA, TTBOA	Iron Rubber® (Polyurethane)	High Tensile Strength Steel Cord
MTBOA	Iron Rubber® (Polyurethane)	High Tensile Strength Steel Cord

Belt Type	Pitch	H	h	i	Unit Mass g/m (Width: 10mm)
MA3	3	2	1.1	0.9	20.8
MA5	5	3.2	1.7	1.5	38.4
MA8	8	4.6	2.8	1.8	59.2

⊙ Operating Temp: 0~80°C (Reference Value)
 ⊙ For the belt design data, see P.2253.
 ⊙ Iron Rubber® is a registered trademark of NOK Corp.
 ⊙ MA Type has little backlash and is suitable for positioning.

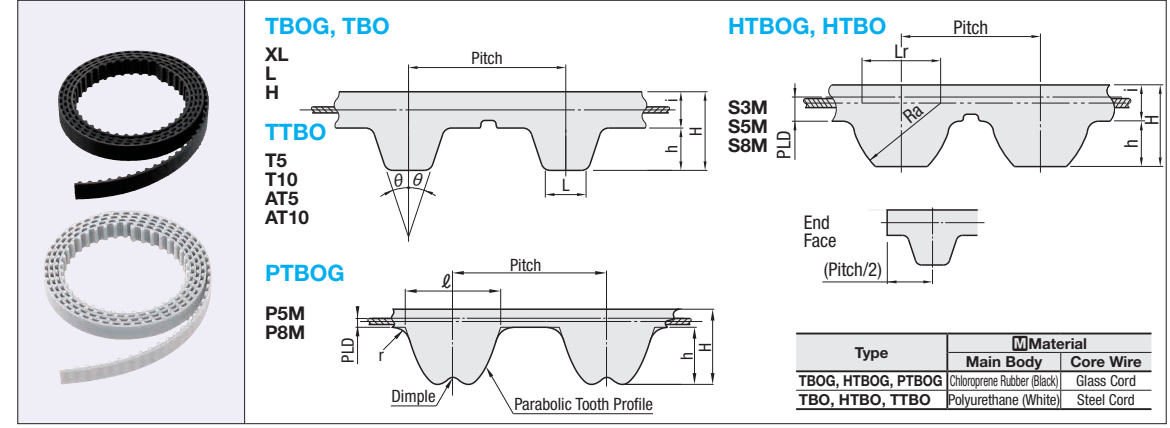
Type	Part Number		Number of Teeth Lower Limit - Upper Limit	Belt Width (mm)	Allowable Tension (N)	Applicable Metal Joint	Unit Price 1-5 pc(s).		
	Belt Type	Belt Nominal Width							
TBOA (Iron Rubber®)	XL	025	30~9900	6.4	180	TBCK-XL025			
		037		9.5	270	TBCK-XL037			
		050		12.7	350	TBCK-XL050			
	L	050	30~6299	12.7	640	TBCK-L050			
		075		19.1	960	TBCK-L075			
		100		25.4	1280	TBCK-L100			
	H	075	45~3938	19.1	960	TBCK-H075			
		100		25.4	1280	TBCK-H100			
		150		38.1	1920	TBCK-H150			
		200		50.8	2560	TBCK-H200			
		MA3		070	40~9900	7	200	TBCK-MA3070	
				100		10	300	TBCK-MA3100	
150	15		400	TBCK-MA3150					
MA5	100	50~9900	10	470	TBCK-MA5100				
	150		15	740	TBCK-MA5150				
	250		25	1280	TBCK-MA5250				
MA8	150	60~5000	15	1620	TBCK-MA8150				
	200		20	2160	TBCK-MA8200				
	250		25	2700	TBCK-MA8250				
	400		40	4320	TBCK-MA8400				
	T5		100	40~9900	10	300	TBCK-T5100		
			150		15	400	TBCK-T5150		
200		20	550		TBCK-T5200				
250		25	700		TBCK-T5250				
T10		150	40~5000		15	640	TBCK-T10150		
		200			20	880	TBCK-T10200		
	250	25		1280	TBCK-T10250				
AT5	100	40~9900	10	470	TBCK-AT5100				
	150		15	740	TBCK-AT5150				
	150		15	1620	TBCK-AT10150				
	200		20	2160	TBCK-AT10200				
	AT10		200	40~4000	20	2160	TBCK-AT10200		
			250		25	2700	TBCK-AT10250		

⊙ Overall Length: Number of Teeth x Pitch. ⊙ kgf=Nx0.101972
 ⊙ Allowable tension shows the allowable value of tensile load. ⊙ For orders larger than indicated quantity, please request a quotation.

Ordering Example	Type	Belt Type	Belt Nominal Width	Number of Teeth
	TBOA	- H	100	- 1100
	MTBOA	- MA5	100	- 500
	TTBOA	- AT5	150	- 1200

Open End Belts - Polyurethane / Chloroprene Rubber

■ For Application examples, see P.1478.
 ■ For Connection Fittings, refer to P.1483.



Belt Type	Pitch	2θ(°)	H	h	i	L	Unit Mass g/m (Width: 10mm)	
							Chloroprene Rubber	Polyurethane
XL	5.08	50°	2.25	1.25	1.0	1.35	26.77	22.17
L	9.525	40°	3.5	1.9	1.6	3.2	37.8	36.22
H	12.7	40°	4.3	2.3	2.0	4.4	52.36	41.22
T5	5	40°	2.2	1.2	1.0	1.8	-	22.1
T10	10	40°	4.5	2.5	2.0	3.5	-	47.6
AT5	5	50°	2.7	1.2	1.5	2.5	-	32.0
AT10	10	50°	4.5	2.5	2.0	5	-	58.6

Belt Type	Pitch	Ra	Lr	H	h	i	PLD	Unit Mass g/m (Width: 10mm)	
								Chloroprene Rubber	Polyurethane
S3M	3	1.95	1.95	2.10(2.00)	1.14	0.96(0.86)	0.381	-	24.3
S5M	5	3.25	3.25	3.61(3.20)	1.91(1.77)	1.70(1.43)	0.480	38.8	34.6
S8M	8	5.20	5.20	5.30(5.00)	3.05(2.85)	2.25(2.15)	0.686	55.2	57.6

⊙ Dimensions in () are for Polyurethane.

Belt Type	Pitch	ℓ	H	h	PLD	r	Unit Mass g/m (Width: 10mm)	
							Chloroprene Rubber	Polyurethane
P5M	5	3.25	3.6	1.81	0.571	0.5	-	41.0
P8M	8	5.2	5.5	2.9	0.686	0.8	-	56.0

Type	Part Number		Number of Teeth Lower Limit - Upper Limit	Belt Width (mm)	Allowable Tension (N)		Applicable Metal Joint	Unit Price 1-30pc(s).			
	Belt Type	Belt Nominal Width			Chloroprene Rubber	Polyurethane		Chloroprene Rubber	Polyurethane		
TBOG (Chloroprene Rubber) TBO (Polyurethane)	XL	025	30~3937	6.4	-	66	TBCK-XL025	-	-		
		037		9.5	47	102	TBCK-XL037	-	-		
		050		12.7	70	142	TBCK-XL050	-	-		
		075		12.7	95	259	TBCK-L050	-	-		
		100		19.1	165	387	TBCK-L075	-	-		
		150		25.4	-	519	TBCK-L100	-	-		
	L	075	30~2099	19.1	165	387	TBCK-L075	-	-		
		100		25.4	-	519	TBCK-L100	-	-		
		150		38.1	-	799	TBCK-H150	-	-		
		200		50.8	-	1093	TBCK-H200	-	-		
		H		100	45~1574	25.4	-	529	TBCK-H100	-	-
				150		38.1	-	799	TBCK-H150	-	-
200	50.8		-	1093		TBCK-H200	-	-			
S3M	060		40~6666	6		-	127	TBCK-S3M060	-	-	
	100			10		-	106	TBCK-S3M100	-	-	
	150			15		-	159	TBCK-S3M150	-	-	
S5M	100	50~4000	10	310	215	TBCK-S5M100	-	-			
	150		15	490	323	TBCK-S5M150	-	-			
	250		25	-	539	TBCK-S5M250	-	-			
S8M	150	60~2500	15	-	647	TBCK-S8M150	-	-			
	250		25	950	1176	TBCK-S8M250	-	-			
	300		30	-	1412	TBCK-S8M300	-	-			
P5M	100	50~4000	10	287	-	TBCK-S5M100	-	-			
	150		15	456	-	TBCK-S5M150	-	-			
	250		25	817	-	TBCK-S5M250	-	-			
P8M	150	60~2500	15	606	-	TBCK-S8M150	-	-			
	200		20	1060	-	TBCK-S8M200	-	-			
	250		25	-	-	-	-	-			
TTBO (Polyurethane)	T5	100	40~4000	10	-	112	TBCK-T5100	-	-		
		150		15	-	166	TBCK-T5150	-	-		
		200		20	-	225	TBCK-T5200	-	-		
		250		25	-	284	TBCK-T5250	-	-		
		150		15	-	299	TBCK-T10150	-	-		
		200		20	-	397	TBCK-T10200	-	-		
	T10	250	40~2000	25	-	529	TBCK-T10250	-	-		
		300		30	-	627	TBCK-T10300	-	-		
		400		40	-	862	TBCK-T10400	-	-		
		500		50	-	1064	TBCK-T10500	-	-		
		100		10	-	147	TBCK-AT5100	-	-		
		150		15	-	221	TBCK-AT5150	-	-		
	AT5	150	40~4000	15	-	469	TBCK-AT10150	-	-		
		200		20	-	625	TBCK-AT10200	-	-		
		250		25	-	781	TBCK-AT10250	-	-		

⊙ Overall Length: Number of Teeth x Pitch. ⊙ kgf=Nx0.101972
 ⊙ For orders larger than indicated quantity, please request a quotation.

Ordering Example	Type	Belt Type	Belt Nominal Width	Number of Teeth
	TBO	- H	100	- 1100
	HTBOG	- S5M	100	- 500
	TBO	- AT5	150	- 1200