

# Conveyor Joint Plates

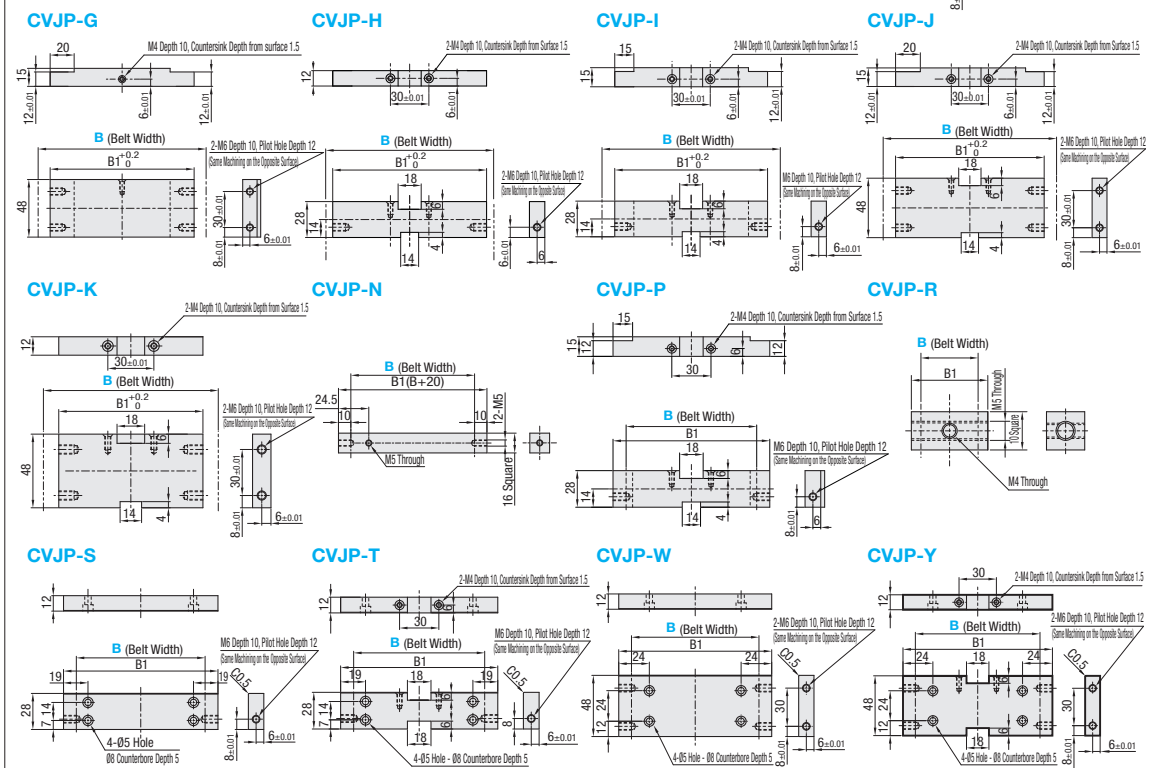
Dedicated web site <http://fa.misumi.jp/cvs/>  
 Conveyor selecting, component purchases, and easy search for maintenance parts are available.

# Motor Mounting Plates for Conveyor

Dedicated web site <http://fa.misumi.jp/cvs/>  
 Conveyor selecting, component purchases, and easy search for maintenance parts are available.



Part Number	Material	Surface Treatment
CVJP-C-Y	A5052	Clear Anodize
CVJP-N	SS400	Nickel Plating
CVJP-R	SS400	Trivalent Chromate



For detail dimensions, see the e-Catalog.

Part Number	Shape Selection	B (Belt Width) 1mm Increment	B1	Applicable Conveyors	Unit Price		
					B50-100	B101-200	B201-300
CVJP	C	60-150	B+20	CVSMA			
	D	60-300	B-45	CVSFA			
	E	60-300	B-15	CVSFA			
	F	60-300	B-55	CVSFB			
	G	60-300	B-15	CVSFB			
	H	70-300	B-45	CVSFC			
	I	70-300	B-15	CVSFC			
	J	80-300	B-55	CVSFD			
	K	80-300	B-15	CVSFD			
	N	50-250	B+20	SVKN, SVKR			
	P	50-300	B+20	CVSJA			

Part Number	Shape Selection	B (Belt Width) 1mm Increment	B1	Applicable Conveyors	Unit Price		
					B30-100	B101-200	B201-300
CVJP	S	30-300	B1=B+16 <sup>1</sup> B1=B+20 <sup>2</sup>	CVGA, CVGN			
	T	50-300		CVGB, CVGP			
	W	40-300		CVGC, CVGR			
	Y	50-300		CVGD, CVGW			

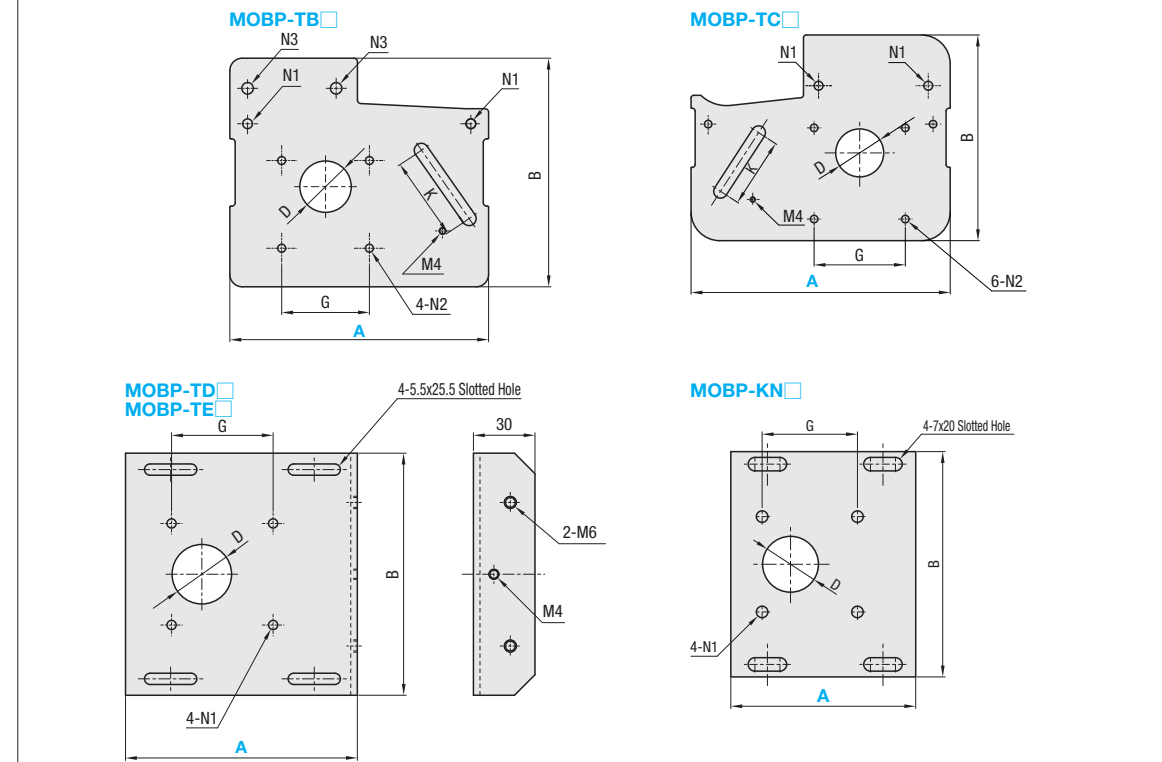
<sup>1</sup> Applicable to CVGA / CVGB / CVGC / CVGD  
<sup>2</sup> Applicable to CVGN / CVGP / CVGR / CVGW

Part Number	Shape Selection	B Selection	B1	Applicable Conveyors	Unit Price	
					B10	B20
CVJP	R	10 20	B+10	CVSTR		

Ordering Example: Part Number - Shape Selection - B  
 CVJP - C - 100



Type	Material	Surface Treatment
MOBP	SPCC	Nickel Plating



Thickness is 3.2 in all part numbers.  
 For detail dimensions, see the e-Catalog.

Part Number	Shape Selection	Motor Size	A	B	D	G	K	Through Hole			Output (W)	Applicable Conveyors	Unit Price
								N1	N2	N3			
SA	60	146	129	29	49.5	47	5.5	4.5	5.5	5.5	25	SVKA	
GA	60	146	129	29	49.5	47	5.5	4.5	6.5	6	25	CVGB	
GB	60	189	150	35	66.5	51	6	6	6.4	25	40	CVGD	
TB	60	146	129	29	49.5	47	5.5	4.5	6.5	6	25	CVGTB	
TC	60	189	150	37	73.5	51	6.5	6.5	-	25	40	CVGTP	
TD	60	113	118	35	66.5	-	5.5	-	-	25	40	SVKN, SVKR	
TE	60	169	118	37	73.5	-	6.5	-	-	40	40	CVGTP	
KN	60	96	117	35	66.5	-	6	-	-	25	40	SVKN, SVKR	

Ordering Example: Part Number - No. - Motor Size - A  
 MOBP - SA - 60 - 146