

Motor Covers for Conveyor

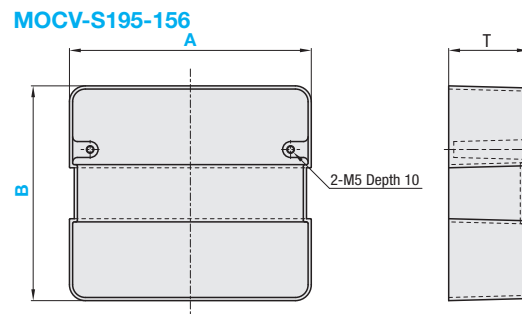
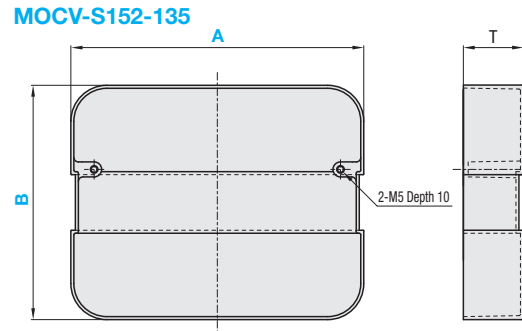
Dedicated web site <http://fa.misumi.jp/cvs/>
Conveyor selecting, component purchases, and easy search for maintenance parts are available.

Motor Covers for Conveyor - with Window

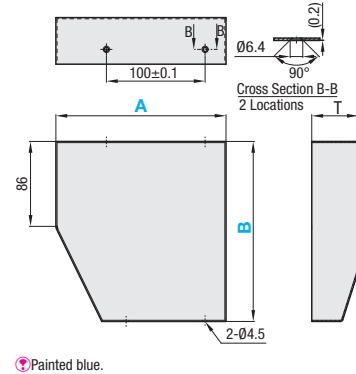


RoHS10

Part Number	Material	Surface Treatment
MOCV-S152-135	Aluminum	Paint
MOCV-S195-156	Aluminum	
MOCV-C173-183	SPCC	Paint
MOCV-C152-135	Aluminum	
MOCV-C195-156	Aluminum	

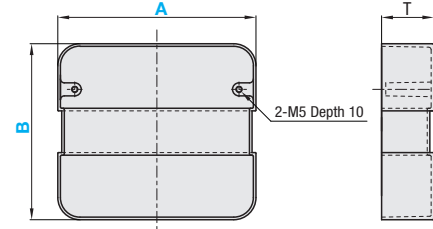


MOCV-C173-183

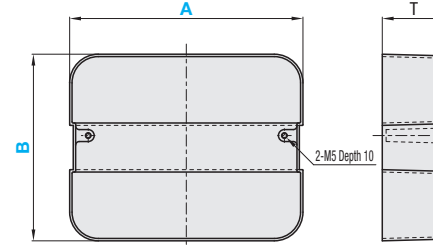


Painted blue.

MOCV-C152-135



MOCV-C195-156



For detail dimensions, see the e-Catalog.

Part Number	A	B	T	Applicable Motor W	Applicable Conveyors	Unit Price
MOCV	S152	135	50	6W, 25W	SVKA SVKB	
					CVSFA	
					CVSFC	
	S195	156	55	6W, 25W, 40W	CVSFB	
					CVSFD CVSSA	
					CVSPA	
C173	183	48	25W, 40W	CVGTA		
C152	135	50	6W, 25W	CVGTA		
C195	156	55	25W, 40W	CVGTB		

Ordering Example: Part Number - A - B
MOCV - S152 - 135

Features: The conveyor driving section is now visualized. Resin plate can also be purchased as a separate item for maintenance purpose.

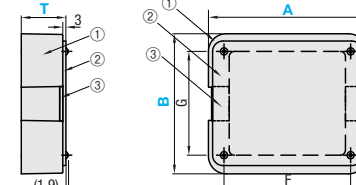


RoHS10

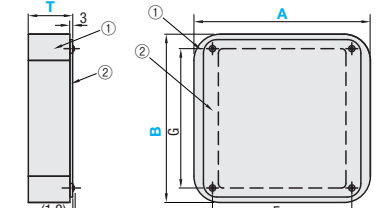
Driving Type	Part Number	Material	Surface Treatment
Head Drive	MOCVW	① Main Body: Aluminum ② Window: Polycarbonate ③ NBR: Sponge	Main Body: Paint
Center Drive	MSCPD1W		

Head Drive

MOCVW-S152-135
MOCVW-S195-156

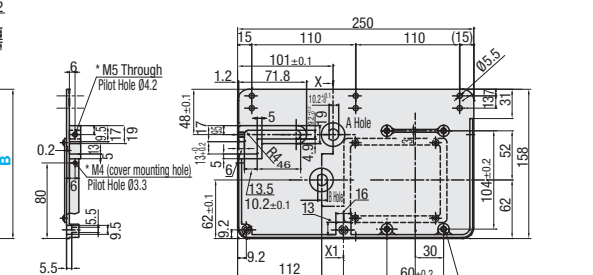
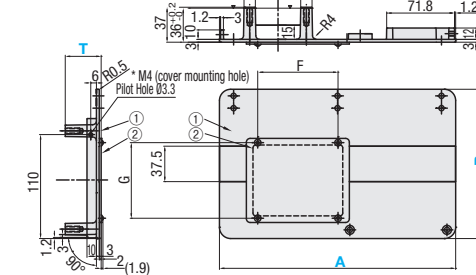


MOCVW-S195-186-49

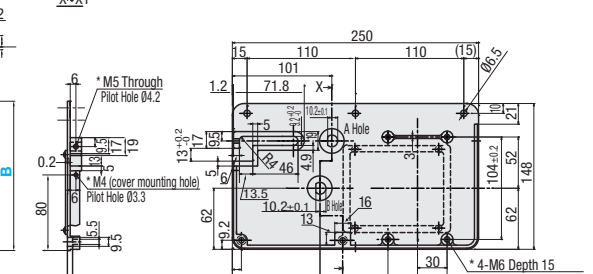
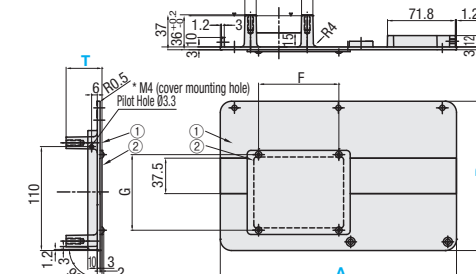


Center Drive

MSCPD1W-L1



MSCPD1W-L2



Head Drive

Part Number	A	B	T	F	G	Applicable Conveyors	Unit Price
MOCVW	S152	135	43	122	100	SVKA SVKB CVSFA CVSFC CVGTA	
			53	122	100	CVGTA	
	S195	156	43	155	124	CVSD CVSFB CVSFD CVSSA CVGCVG	
			58	155	124	CVGTB	
	S195	186	49	154		CVSE CVSF	

Center Drive

Part Number	Shape Selection	A	B	T	F	G	Applicable Conveyors	Unit Price
MSCPD1W	L1	250	158	38	85	80	SVKN SVKR CVGN CVGR CVGP CVGW	
MSCPD1W	L2	250	148	38	85	80		

Ordering Example: Head Drive Part Number - A - B - T Part Number - Shape Selection
MOCVW - S152 - 135 - 43 MSCPD1W - L1

Example: MOCVW-S152-135-43 MSCPD1W-L1

