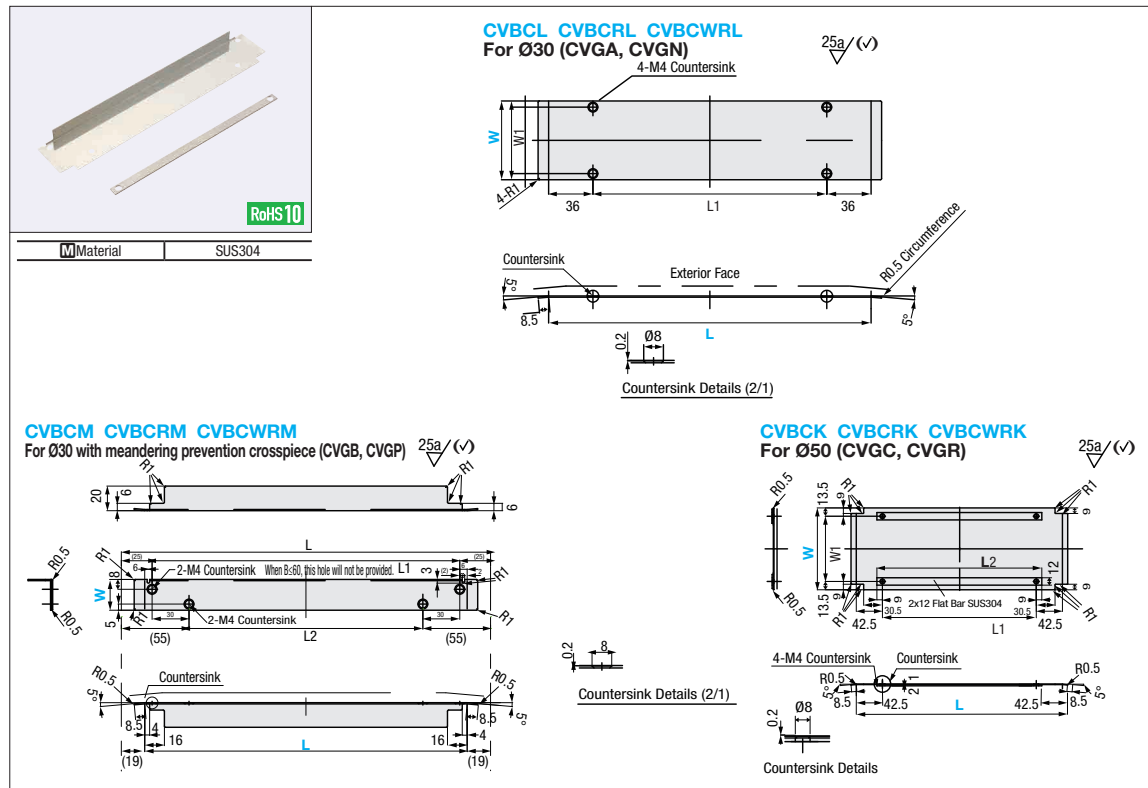


Conveyor Belt Support Cover

Dedicated web site <http://fa.misumi.jp/cvs/>
 Conveyor selecting, component purchases, and easy search for maintenance parts are available.



■ For Ø30 (CVGA, CVGN)

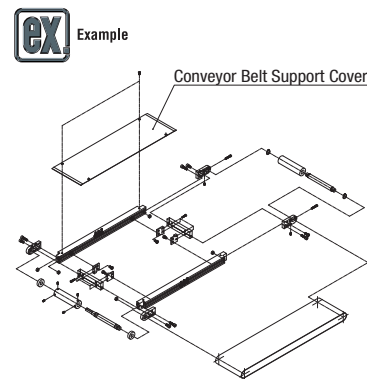
Part Number	Unit Price		W1	L1	Applicable Conveyors	L130~500	L501~1000	L1001~1500	L1501~2000
	W 1mm Increment	L 1mm Increment							
CVBCL	40~100		W-10	L-72	CVGA CVGN				
	101~200								
	201~350								
CVBCRL	40~100	130~2000	L-121	CVGN (HR, MR)					
	101~200								
	201~350								
CVBCWRL	40~100	130~2000	L-131	CVGN (WR)					
	101~200								
	201~350								

■ For Ø30 with meandering prevention crosspiece (CVGB, CVGP)

Part Number	Unit Price		L1	L2	Applicable Conveyors	L120~500	L501~1000	L1001~1500	L1501~2000
	W 1mm Increment	L 1mm Increment							
CVBCM	15~100	120~2000	L-50	L-110	CVGB CVGP				
	101~150								
	151~200								
CVBCRM	15~100	120~2000	L-61	L-121	CVGP (HR, MR)				
	101~150								
	151~200								
CVBCWRM	15~100	120~2000	L-72	L-132	CVGP (WR)				
	101~150								
	151~200								

■ For Ø50 (CVGC, CVGR)

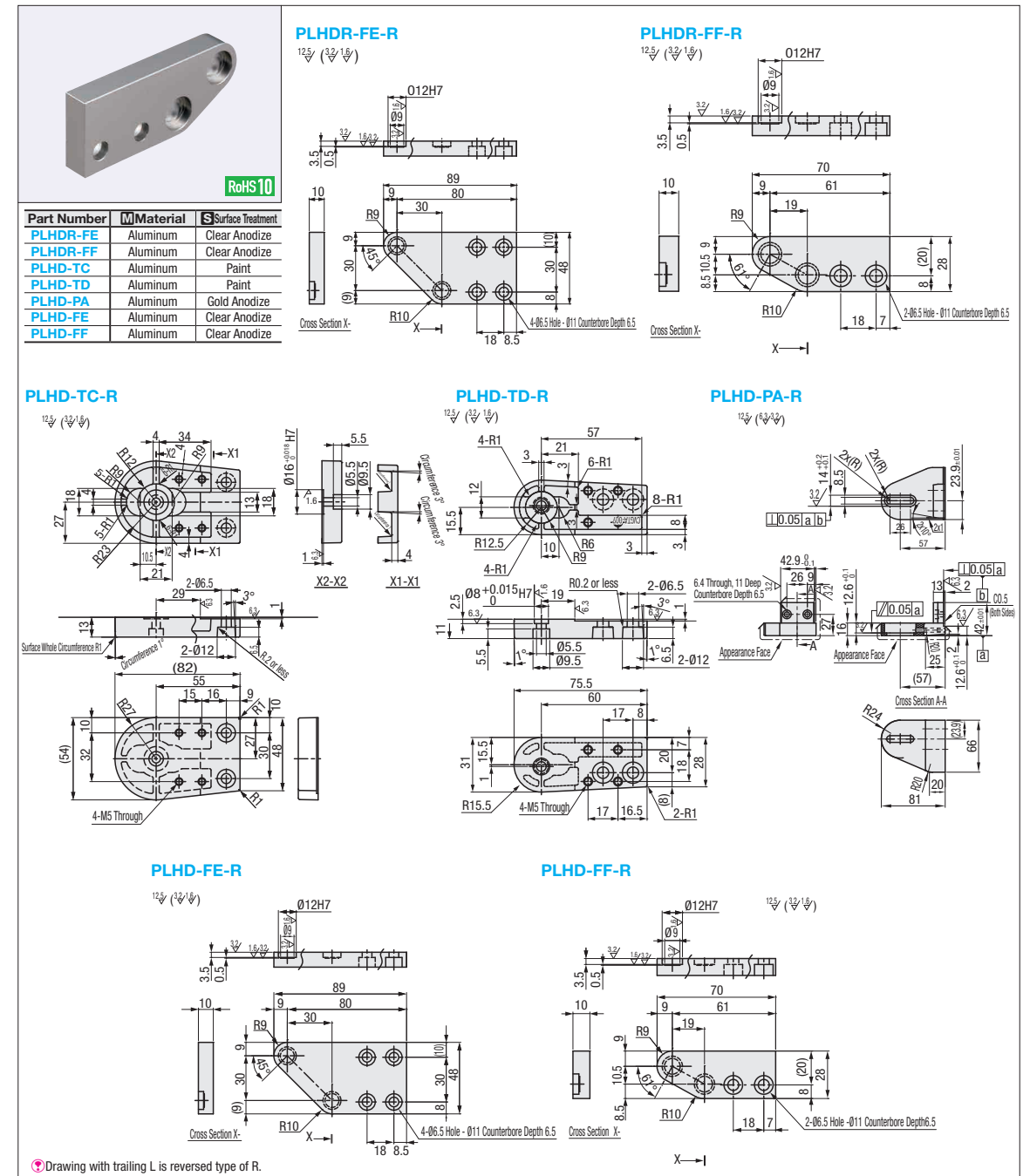
Part Number	Unit Price		W1	L1	L2	Applicable Conveyors	L170~500	L501~1000	L1001~1500	L1501~2000
	W 1mm Increment	L 1mm Increment								
CVBCK	70~100	170~2000	W-27	L-85	L-67	CVGC CVGR				
	101~200									
	201~350									
CVBCRK	70~100	170~2000	L-110	L-92	CVGR (HR, MR)					
	101~200									
	201~350									
CVBCWRK	70~100	170~2000	L-135	L-117	CVGR (WR)					
	101~200									
	201~350									



Ordering Example: Part Number - W - L
 CVBCM - 150 - 1940

Pulley Holders for Conveyor

Dedicated web site <http://fa.misumi.jp/cvs/>
 Conveyor selecting, component purchases, and easy search for maintenance parts are available.



Part Number	Shape Selection	Right/Left	Applicable Conveyors	Unit Price
PLHDR	FE	(Right) R (Left) L	CVGR	
	FF		CVGW	
	TC		CVGN	
PLHD	TD		CVGP	
	PA		CVGTP	
	FE		CVGTN	
PLHD	FF	CVSPA		
		CVSFA		
		CVSFC		
		CVSFB		

Ordering Example: Part Number - Shape Selection - Right/Left
 PLHD - FE - L

PLHDR is used when alterations of HR, MR, or WR are applied to the applicable conveyors.
 PLHD-FE, FF, TC, and TD, which are molded products, are provided at a reasonable price.