

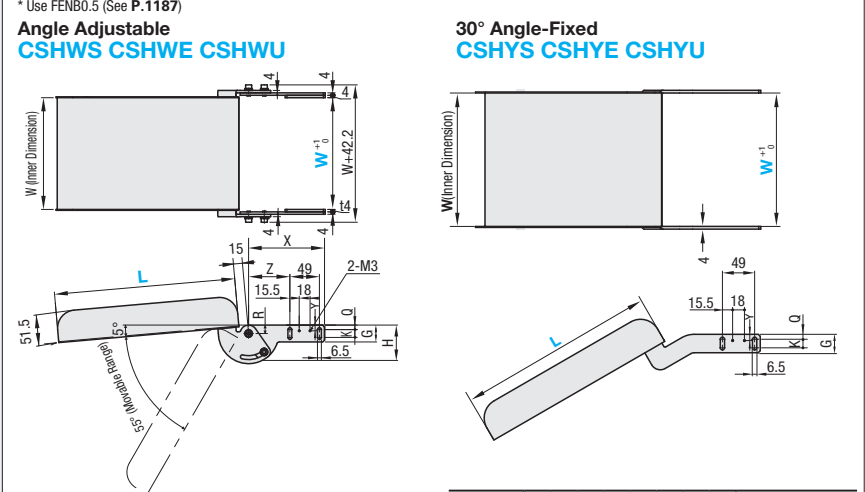
# Conveyor Chute / Angle Adjustment Bracket Single Article

# Dust Pans

■Features: Chutes with their angle adjustable between 5 to 60 degrees. Plastic type is also available to make the workpiece move smoother and to prevent scratching of the workpiece.



Type		Material	Allowable Load (kgf)	Thickness (t)
Angle Adjustable	30° Angle-Fixed			
CSHWS	CSHYS	SUS304	15	1.5
CSHWE	CSHYE	SUS304 + Stainless Steel Sliding Plate*		1.5 + 0.8 (Sliding Plate Thickness)
CSHWU	CSHYU	SUS304 + Ultrahigh molecular weight polyethylene		1.5 + 0.25 (Polyethylene Thickness)



Ⓜ Use FENB0.5 (See P.1187)

Ⓜ When mounting to MISUMI conveyors, the W dimensions should be: Belt Width + 40 for Bracket Type A, B; Belt Width + 50 for C.

Ⓜ We will ship Angle Adjustable Types unassembled. Assembly will be required on your side. The 30° Angle-Fixed Types will be shipped assembled.

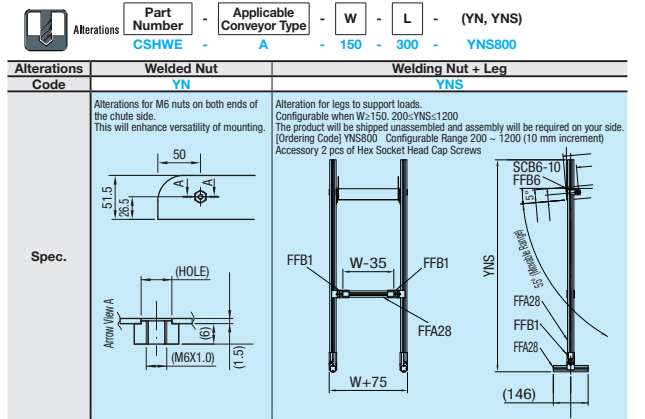
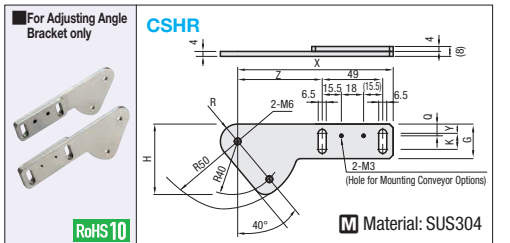
Ⓜ M5/M6 Hex Socket Head Cap Screws and Washers are included for mounting of the conveyor. You will choose either of them and the rest will be left unused.

Angle Adjustable					30° Angle-Fixed						
Part Number	Applicable Conveyor Types	W 1mm Increment	L 10mm Increment	Applicable Conveyors	Conveyor Page	Part Number	Applicable Conveyor Types	W 1mm Increment	L 10mm Increment	Applicable Conveyors	Conveyor Page
CSHWS	A	90-540		SVKN/SVKR/CVGN/CVGP	P1201-1204,1213-1216	CSHYS	A	90-540		SVKN/SVKR/CVGN/CVGP	P1201-1204,1213-1216
CSHWE	B	90-340	70-500	CVGR/CVGW	P1217-1220	CSHYE	B	90-340	70-500	CVGR/CVGW	P1217-1220
CSHWU	C	150-550		CVSY/CVXS	P1233-1236	CSHYU	C	150-550		CVSY/CVXS	P1233-1236

W	L	Unit Price				
		CSHWS	CSHWE	CSHWU	CSHYS	CSHYE
90-200	70-100					
	110-200					
	210-300					
	310-400					
201-300	110-200					
	210-300					
	310-400					
	410-500					
301-400	110-200					
	210-300					
	310-400					
	410-500					
401-550	110-200					
	210-300					
	310-400					
	410-500					

Ⓜ W is 150~ for the applicable conveyor type C.

Ordering Example: CSHWE - A - 150 - 300

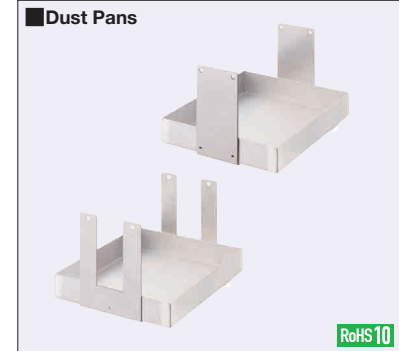


Part Number	Applicable Conveyors	R	Z	X	K	Q	Y	G	H	Unit Price
CSHR	A	SVKN/SVKR/CVGN/CVGP	14	68.5	126	13	9.5	7.5	28	57.1
	B	CVGR/CVGW	14	98.5	156	13	9.5	7.5	28	57.1
	C	CVSY/CVXS	24	83.5	141	30	10	10	48	75

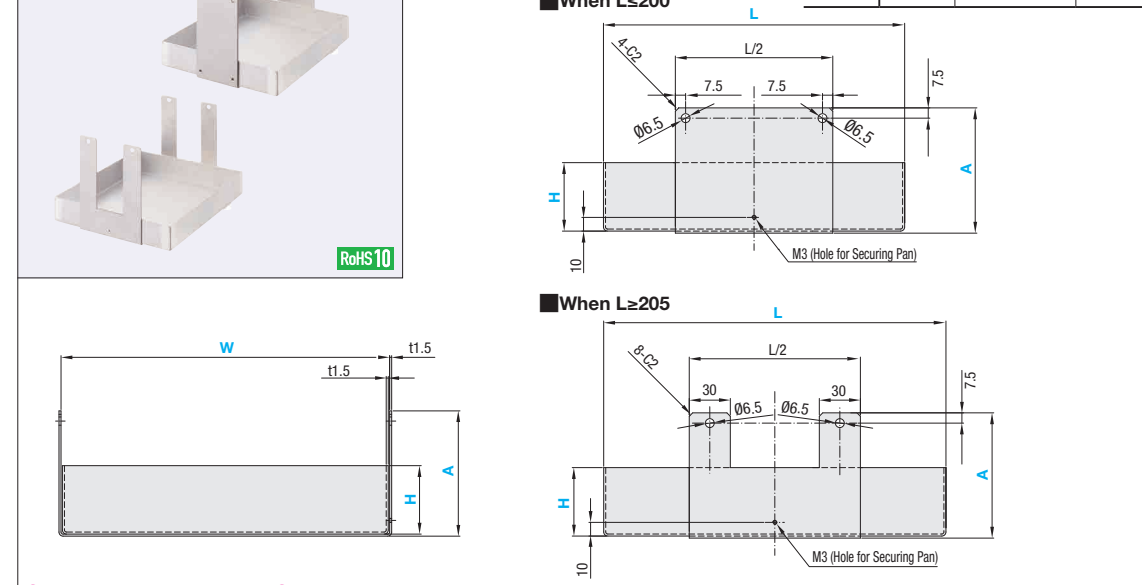
Ordering Example: CSHRA



■Features: The pan receives fallout from the conveyor. Also compatible with liquid including oil.



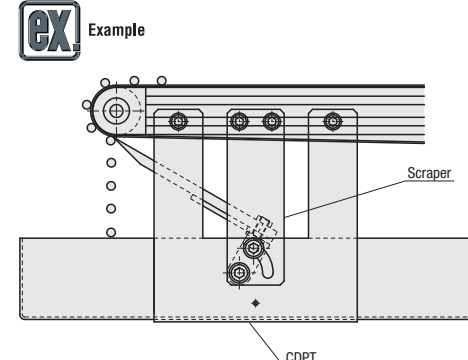
Type	Material	Accessory
CDPT	SUS304	Hex Socket Head Cap Screw (SUS304) Washer (SUS304)



Ⓜ Also compatible with oil or water drops. Ⓜ The pan is screw-mounted and can be separated from the U-shaped bracket.

Part Number	W 1mm Increment	L 5mm Increment	H 10mm Increment	A 10mm Increment	Unit Price
CDPT	65-100	100-200	20-40	150-200	
		205-300			
	101-200	100-200			
		205-300			
	201-300	100-200			
		205-300			
	301-400	100-200			
		205-300			
	401-550	100-200			
		205-300			

Ordering Example: CDPT - 250 - 300 - 20 - 150



Alterations Example: CDPT - 250 - 300 - 20 - 150 - (CLU, CDL, CFN) - CLU2

Alterations	Water/Oil Discharge Socket Welding	Handle Added	Pan Fixing Knob Added														
	Code	CLU, CLD, CRU, CRD	CDL	CFN													
Spec.																	
	Ordering Code: CLU2 <table border="1"> <thead> <tr> <th>No.</th> <th>Rc (PT)</th> <th>D</th> <th>L</th> </tr> </thead> <tbody> <tr> <td>1</td> <td>1/8</td> <td>15.1</td> <td>23.5</td> </tr> <tr> <td>2</td> <td>1/4</td> <td>19.1</td> <td>29.5</td> </tr> <tr> <td>3</td> <td>3/8</td> <td>22.1</td> <td>30.5</td> </tr> </tbody> </table>	No.	Rc (PT)	D	L	1	1/8	15.1	23.5	2	1/4	19.1	29.5	3	3/8	22.1	30.5
No.	Rc (PT)	D	L														
1	1/8	15.1	23.5														
2	1/4	19.1	29.5														
3	3/8	22.1	30.5														