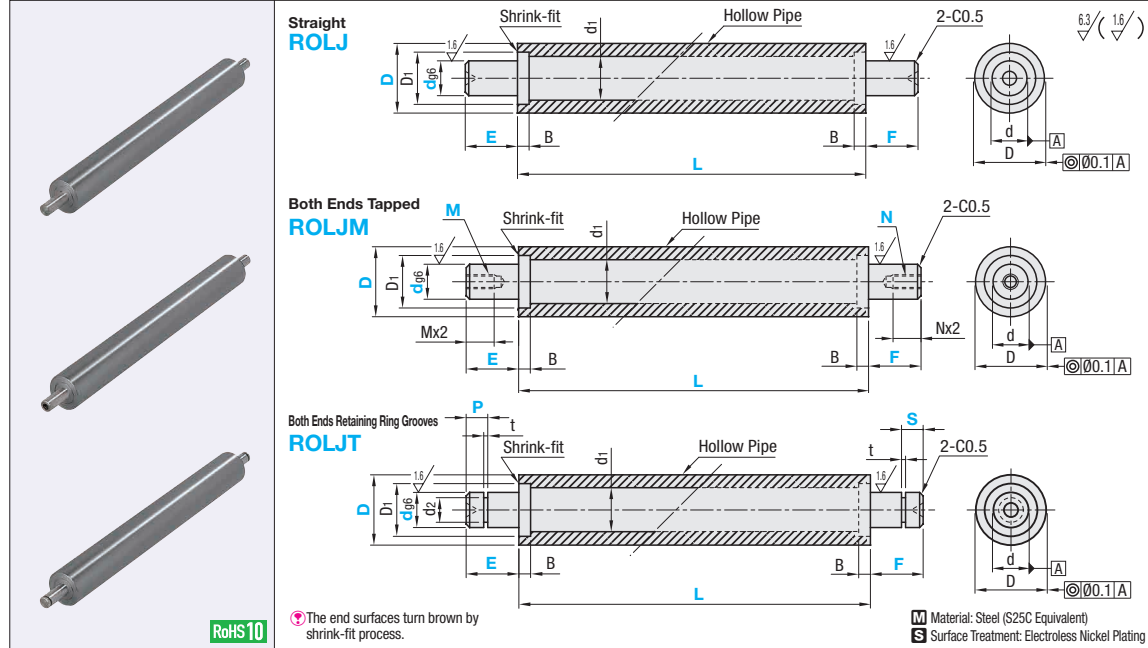


Hollow Rollers with Shafts

Straight, Both Ends Tapped, Both Ends Retaining Ring Grooves (L=100~800)

Features: With factory mounted shafts and ready to use out-of-box.



Part Number Type	D	d _{ref} Selection	L 10mm Increment	E, F 1mm Increment	M (Coarse), N (Coarse)	P, S 1mm Increment	d ₁	D ₁	B	t Tolerance	d ₂ Tolerance	Applicable Retaining Ring
ROLJ ROLJM ROLJT	50	15	100~800	5~45	5 6	5≤P<E-5 5≤S<F-5	40	43	25	1.15	14.3 _{-0.11}	JIS C Type 15
		20		5~60	5 6 8 10 12					1.35	19	JIS C Type 20
		25		5~75	5 6 8 10 12 16					1.35	23.9	JIS C Type 25
	60	20		5~60	5 6 8 10 12		1.35	19	JIS C Type 20			
		25		5~75	5 6 8 10 12 16		1.35	23.9	JIS C Type 25			
		30		5~90	8 10 12 16 20		1.65	28.6	JIS C Type 30			
	80	25		5~75	5 6 8 10 12 16		1.35	23.9	JIS C Type 25			
		30		5~90	8 10 12 16 20		1.65	28.6	JIS C Type 30			
		35		5~100	8 10 12 16 20 24		1.65	33 _{-0.25}	JIS C Type 35			

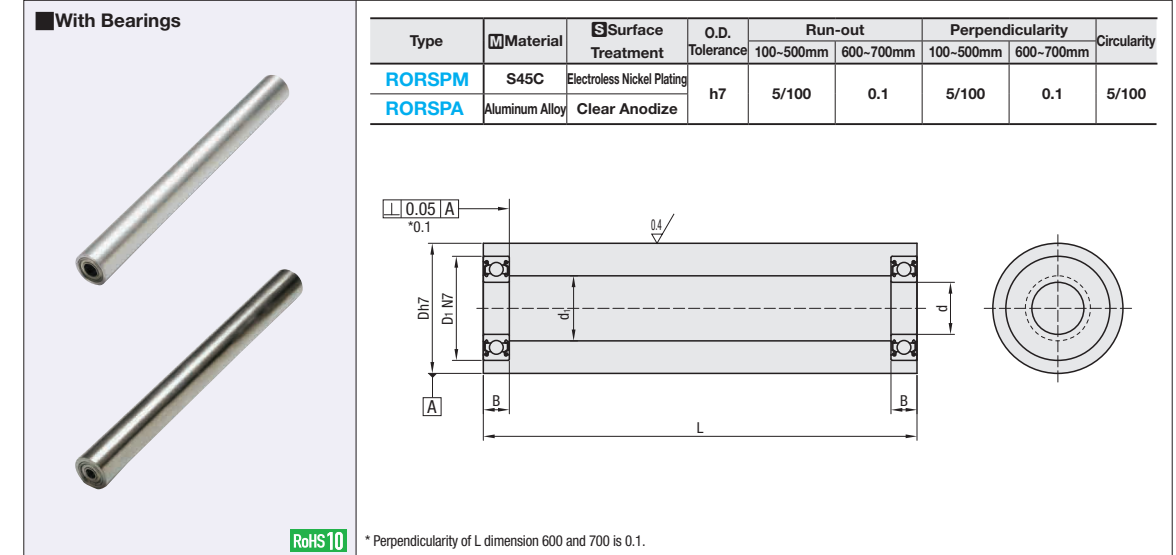
Ordering Example: Part Number - d - L - E - F - M - N - P - S
 (Straight) ROLJ60 - 20 - 590 - E30 - F30
 (Both Ends Tapped) ROLJM80 - 30 - 720 - E20 - F20 - M12 - N12
 (Both Ends Retaining Ring Grooves) ROLJT50 - 25 - 800 - E40 - F42 - P15 - S35

Part Number		Unit Price													
Type	D	L100 ~150	L160 ~200	L210 ~250	L260 ~300	L310 ~350	L360 ~400	L410 ~450	L460 ~500	L510 ~550	L560 ~600	L610 ~650	L660 ~700	L710 ~750	L760 ~800
ROLJ	50														
	60														
	80														
Part Number		Unit Price													
Type	D	L100 ~150	L160 ~200	L210 ~250	L260 ~300	L310 ~350	L360 ~400	L410 ~450	L460 ~500	L510 ~550	L560 ~600	L610 ~650	L660 ~700	L710 ~750	L760 ~800
ROLJM	50														
	60														
	80														
Part Number		Unit Price													
Type	D	L100 ~150	L160 ~200	L210 ~250	L260 ~300	L310 ~350	L360 ~400	L410 ~450	L460 ~500	L510 ~550	L560 ~600	L610 ~650	L660 ~700	L710 ~750	L760 ~800
ROLJT	50														
	60														
	80														

Note that, for some of the types shown here, order might be unable to be received by the MISUMI Indonesia offices.

Precision Rollers

Features: This roller has good O.D. Tolerance and Geometrical Tolerance. Use in carriers that require accuracy.



Part Number TYPE	D	d Tolerance	d	L Selection		Bearing Used	d ₁		D ₁	B
				S45C	Aluminum		S45C	Aluminum Alloy		
RORSPM RORSPA	30	0 -0.021	8	100 150 200 300 400 500	100 150 200 300 400 500	B608ZZ	15.8	15	22	7
			10			B6900ZZ			22	6
			12			B6901ZZ			24	6
	40	0 -0.025	10			B6000ZZ	21	22	26	8
			12			B6001ZZ			28	8
			15			B6902ZZ			28	7
	50	0 -0.025	20			B6804ZZ	30	27	32	7
			25			B6301ZZ			37	12
			30			B6202ZZ			35	11
	60	0 -0.030	20			B6904ZZ	35	32	37	9
			25			B6905ZZ			42	9
			30			B6302ZZ			42	13
80	0 -0.030	25	B6904ZZ	49	41	37	9			
		30	B6905ZZ			42	9			
		35	B6906ZZ			47	9			
			25			62	17			
			30			62	16			
			35			62	14			

Ordering Example: Part Number - d - L
 RORSPM50 - 12 - L300

Part Number		Unit Price					
D		L100	L150	L200	L300	L400	L500
30							
40							
50							
60							
80							

EX Example

Alterations: Part Number - d - L - LC
 RORSPA30 - 10 - LC413

Spec. Alterations: L Dimension
 Ordering Code LC151 (Change L to LC)
 LC=1mm Increment
 S45C, Aluminum Ø30, 40 50≤LC≤490
 Aluminum Ø50, 60, 80 50≤LC≤690

Code: LC