

Flanged Linear Bushings Standard

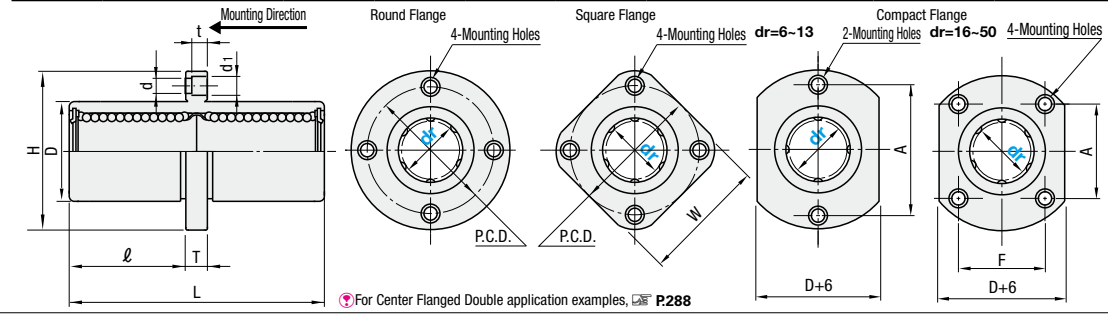
Center Flanged Double

Feature: Easy to assemble with bolt-on flanges. A load can be placed near the center of the bushing, evenly distributing the load and space.

RoHS10



Type	Outer Cylinder	Balls	Retainer	Ambient Operating Temp.	Accessory				
Round Flange	Square Flange	Compact Flange	Material	Hardness	Surface Treatment	Material	Material		
LHMRW	LHMSW	LHMCW	SUJ2 Equivalent	58HRC~	-	SUJ2 Equivalent	Plastic (Duracon M90 Equivalent)	-20~ 80°C	Seal Material Nitrile Rubber (-20~120°C)
LHMRWF	LHMSWF	LHMCWF							
LHMRWM	LHMSWM	LHMCWM	SUS40C Equivalent	56HRC~	Electroless Nickel Plating	Plastic (Duracon M90 Equivalent)	-20~ 80°C		
LHMRWMF	LHMSWMF	LHMCWMF						Stainless Steel (SUS)	
SLHMRW	SLHMSW	SLHMCW	SUS40C Equivalent	56HRC~	-	Plastic (Duracon M90 Equivalent)	-20~ 80°C		
SLHMRWF	SLHMSWF	SLHMCWF						Stainless Steel (SUS)	

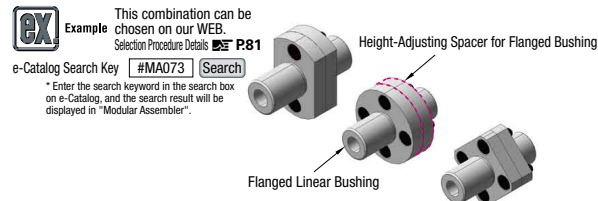


dr	Tolerance	D Tolerance		L Tolerance	l	H	T	d	d1	t	P.C.D.	W	F	A	Eccentricity	Balls Rows	Perpendicularity	Basic Load Rating			Mass (g)		
		No Surface Treatment	Surface Treatment															C (Dynamic) N	Co (Static) N	Allowable Static Moment (N·m)	Round Flange	Square Flange	Compact Flange
6		12	0	35	15	28					20	22	-	20	0.015	4	0.015	324	529	2.18	31	25	28
8		15	-0.013	45	20	32	5	3.5	6	3.1	24	25	-	24	0.015	4	0.015	431	784	4.31	51	43	47
10	0	19	-0.013	55	24.5	40					29	30	-	29	0.015	4	0.015	588	1100	7.24	98	78	90
12	-0.010	21	0	57	25.5	42	6	4.5	7.5	4.1	32	32	-	32	0.015	4	0.015	657	1200	10.9	110	90	102
13		23	-0.016	61	27.5	43					33	34	-	33	0.015	4	0.015	813	1570	11.6	130	108	123
16		28	0	70	32	48					38	37	22	31	0.015	4	0.015	1230	2350	19.7	190	165	182
20		32	0	80	36	54	8	5.5	9	5.1	43	42	24	36	0.020	5	0.020	1400	2740	26.8	260	225	247
25	0	40	-0.019	112	52	62					51	50	32	40	0.020	5	0.020	1560	3140	43.4	540	500	525
30	-0.012	45	0	123	56.5	74	10	6.6	11	6.1	60	58	35	49	0.025	6	0.025	2490	5490	82.8	680	590	645
35		52	0	135	62.5	82					67	64	38	55	0.025	6	0.025	2650	6270	110	1020	930	945
40	0	60	-0.022	151	69	96	13	9	14	8.1	78	75	45	64	0.025	6	0.025	3430	8040	147	1570	1380	1423
50	-0.014	80	0	192	89.5	116					98	92	56	80	0.025	6	0.025	6080	15900	397	3600	3400	3437

For Precautions for Use, see P266. * Perpendicularity of D part to flange mounting surface kgf=Nx0.101972. Height-Adjusting Spacers for Flanged Bushings can be chosen from P286.

Ordering Example
Part Number
LHMCW25 (L Type Greased)
LHMCW25L (G Type Greased)
LHMCW25G (H Type Greased)

Alternative grease types available. For Days to Ship, Price and Performance, see P266.



Flanged Linear Bushings - Compact / Tapped

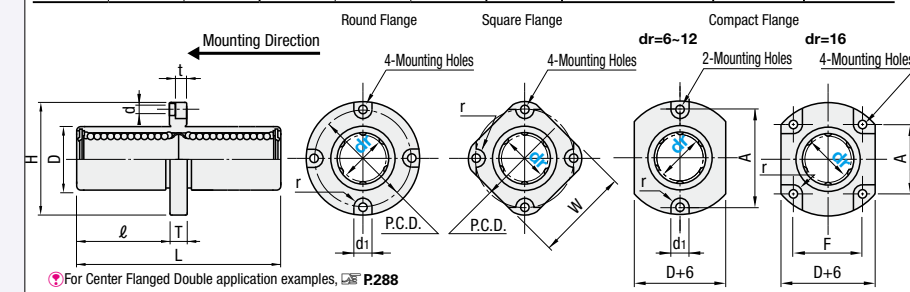
Center Flanged Double / Single, Pilot Tapped

Feature: 4 to 5mm smaller in flange diameter (H Dimension) and 2mm smaller in O.D. (D dimension) than Standard Type. (Compact - Standard comparison chart P274)

Compact Center Flanged Double



Type	Outer Cylinder	Balls	Retainer	Ambient Operating Temp.	Accessory				
Round Flange	Square Flange	Compact Flange	Material	Hardness	Surface Treatment	Material	Material		
LHMRKW	LHMSKW	LHMCKW	SUJ2 Equivalent	58HRC~	-	SUJ2 Equivalent	Plastic (Duracon M90 Equivalent)	-20~80°C	Seal Material Nitrile Rubber (-20~120°C)



For Center Flanged Double application examples, see P288.

dr	Tolerance	D Tolerance		L Tolerance	l	H	T	d	d1	t	r	P.C.D.	W	F	A	Eccentricity	Balls Rows	Perpendicularity	Basic Load Rating			Mass (g)		
		No Surface Treatment	Surface Treatment																C (Dynamic) N	Co (Static) N	Allowable Static Moment (N·m)	Round Flange	Square Flange	Compact Flange
6		10	0	35	15	25	5	3.5	6	3.1	3	19	20	-	19	0.015	6	0.015	206	309	2.46	24	20	21
8		13	0	45	20	28						22	23	-	22	0.015	6	0.015	383	555	5.76	38	34	35
10	0	17	-0.013	55	24.5	35						27	27	-	27	0.015	6	0.015	585	867	10.99	79	68	73
12	-0.010	19	0	57	25.5	38	6	4.5	7.5	4.1	3.75	30	29	-	30	0.015	6	0.015	608	899	11.85	95	82	87
16		26	-0.016	70	32	44						36	34	24	27	0.015	6	0.015	965	1431	23.48	154	135	141

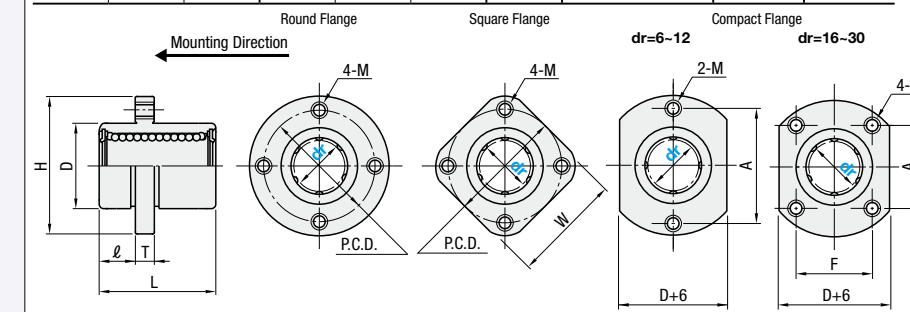
For Precautions for Use, see P266. * Perpendicularity of D part to flange mounting surface kgf=Nx0.101972.

Feature: ① Cost for tapping can be reduced, ② effective for connecting soft materials, ③ can be screw tightened from above.

Tapped Single, Pilot Tapped

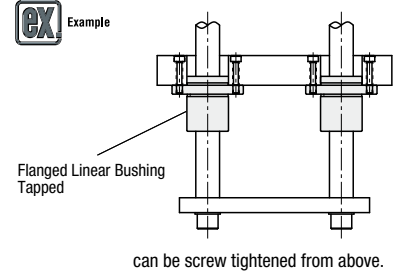


Type	Outer Cylinder	Balls	Retainer	Ambient Operating Temp.	Accessory				
Round Flange	Square Flange	Compact Flange	Material	Hardness	Surface Treatment	Material	Material		
LHITR	LHITS	LHITC	SUJ2 Equivalent	58HRC~	-	SUJ2 Equivalent	Plastic (Duracon M90 Equivalent)	-20~80°C	Seal Material Nitrile Rubber (-20~120°C)



dr	Tolerance	D Tolerance		L Tolerance	l	H	T	M	P.C.D.	W	F	A	Eccentricity	Balls Rows	Perpendicularity	Basic Load Rating			Mass (g)		
		No Surface Treatment	Surface Treatment													C (Dynamic) N	Co (Static) N	Allowable Static Moment (N·m)	Round Flange	Square Flange	Compact Flange
6		12	0	19	5	28	5	M3	20	22	-	20	0.012	4	0.012	206	265	24	18	21	
8		15	-0.013	24	15	32			24	25	-	24	0.012	4	0.012	265	380	37	29	33	
10	0	19	-0.013	29	21	40			29	30	-	29	0.012	4	0.012	372	549	72	52	64	
12	-0.009	21	0	30	25	42	6	M4	32	32	-	32	0.012	4	0.012	412	598	76	57	68	
16		28	-0.016	37	28	48			38	37	22	31	0.012	4	0.012	775	1180	120	104	112	
20		32	0	42	32	54	8	M5	43	42	24	36	0.015	5	0.015	882	1370	180	145	167	
25	0	40	-0.019	59	40	62			51	50	32	40	0.015	5	0.015	980	1570	340	300	325	
30	-0.010	45	0	64	45	74	10	M6	60	58	35	49	0.015	6	0.015	1570	2740	470	375	388	

For Precautions for Use, see P266. * Perpendicularity of D part to flange mounting surface kgf=Nx0.101972.



Ordering Example
Part Number
LHMRKW12 (L Type Greased)
LHMRKW12L (G Type Greased)
LHMRKW12G (H Type Greased)

Alternative grease types available. For Days to Ship, Price and Performance, see P266.