

# Floating Joints / Backing Plates

-Cylinder Connectors, Flange Type-

**Floating Joints** RoHS 10

Type		Material	Surface Treatment	Hardness
L Fixed	L Configurable	S45C	Black Oxide	Section 45-50HRC Induction Hardening Surface
FJTN	FJTNL			
FJTNS	FJTNSL	SUS440C	-	-

Part Number Type	M	L		Cylinder Connector							
		Selectable	Configurable Type (1mm increment)	MxPitch	ℓ	D	H	T	W	L <sub>1</sub>	SR
L Fixed FJTN FJTNS	8	25	30~60	8x1.25	14	16	23	8	14	10	60
	10			10x1.25	15	20	27		17		
L Configurable FJTNL FJTNSL	14	35	40~80	14x1.5	21	25	34	10	22	12	100
	18	45	50~100	18x1.5	27	32	43	12	27	15	
	22	55	60~100	22x1.5	33	40	52	15	32	18	200

SUS440C Hardening Type may be tarnished by hardening.

Order Example: Part Number L  
FJTN10, FJTNS22, FJTNSL18

**Backing Plates** RoHS 10

STOCK ITEM  
PRINTED IN NAVY

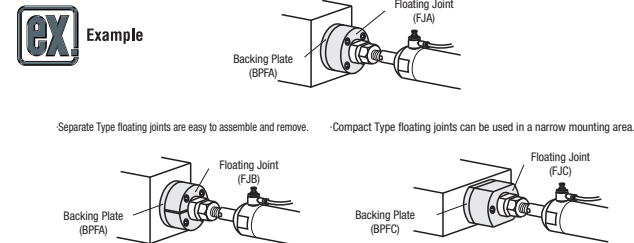
Type				Material	Hardness	Surface Treatment
Standard	Thin Type	Compact	Thin Type	S45C	45-50HRC	Black Oxide
BPFA	BPFUA	BPFC	BPFUC			
BPFAS	BPFUAS	BPFCS	BPFUCS	SUS440C*	-	-

\* Material for BPFUAS and BPFUCS is SUS420J2

Part Number Type	No.	A	P.C.D.	E	G	K			
							Standard	Thin Type	8
BPFA	BPFUA	BPFAS	BPFUAS	10	54	40	32	40	
				14	70	52	42	52	10
Compact Standard	Thin Type	18	90	68	54	68	12		
		22	106	80	66	80	14		

S4400 and SUS420J2 Hardening Type may discolor due to Hardening.

Order Example: Part Number BPFUC18, BPFA14



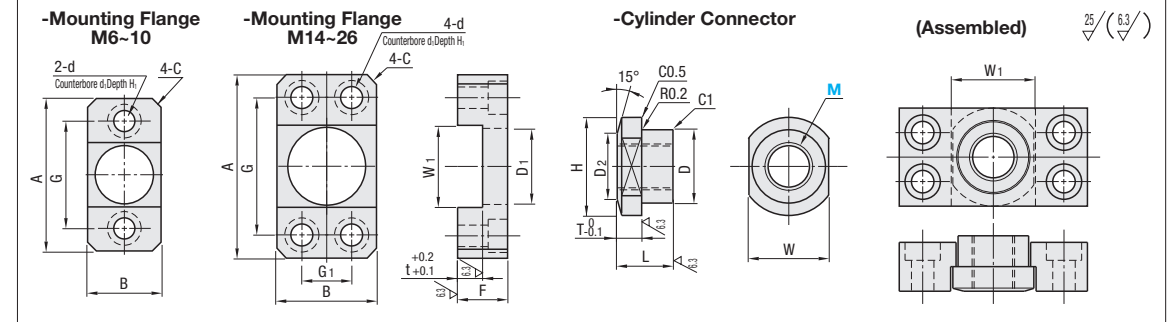
# Floating Joints

-Low Hardness Type / Low Hardness Thin Type-

Features: Low hardness type for small load and low speed.



Type	Set	Cylinder Connector			Mount Flange	
		Material	Hardness	Surface Treatment	Material	Surface Treatment
Low Hardness Type	FJCF	S45C	28-33HRC	Black Oxide	S45C	Black Oxide
	FJCFM			Electroless Nickel Plating		Electroless Nickel Plating
Low Hardness Thin Type	FJCFST	SUS304	-	-	SUS304	-
	FJCFST	S45C	28-33HRC	Black Oxide	S45C	Black Oxide



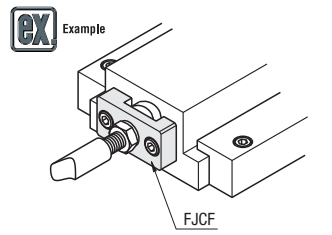
Low Hardness Type

Part Number Type	M	MxPitch	Cylinder Connector							Mount Flange										
			L	D	D <sub>2</sub>	H	T	W	A	G	B	G <sub>1</sub>	W <sub>1</sub>	D <sub>1</sub>	t	F	d	d <sub>1</sub>	H <sub>1</sub>	C
Set FJCF FJCFM FJCFST	6	6x1.0	10	12	11	16	4	13	38	26	16	-	14	13	4	8	4.5	8	4	2
	8	8x1.25	12	14	13	20	5	16	43	30	20		17	15	5	10	5.5	9.5	5	
	10	10x1.25	16	18	15	24	7	20	50	35	24		21	19	7	14				
	14	14x1.5	18	24	20	32	8	26	60	45	32	16	27	25	8	16	7	11	6	3
	18	18x1.5	20	30	26	38	9	33	75	55	38	20	34.5	31.5	9	18	10	14	8	
	22	22x1.5	24	35	30	48	11	40	90	65	48	25	42	37	11	22	12	17.5	10	4
26	26x1.5	28	40	32	54	13	45	100	75	54	30	47	42	13	26					

Low Hardness Thin Type

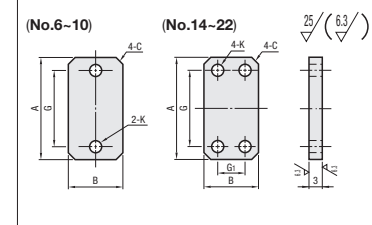
Part Number Type	M	MxPitch	Cylinder Connector							Mount Flange										
			L	D	D <sub>2</sub>	H	T	W	A	G	B	G <sub>1</sub>	W <sub>1</sub>	D <sub>1</sub>	t	F	d	d <sub>1</sub>	H <sub>1</sub>	C
Set FJCFST FJCFST	10	10x1.25	8	18	15	24	3.5	20	50	35	24	-	21	19	3.5	7	7	11	4	3
	14	14x1.5	9	24	20	32	4	26	60	45	32	16	27	25	4	8				
	18	18x1.5	10	30	26	38	4.5	33	75	55	38	20	34.5	31.5	4.5	9	10	14	5	

Order Example: Part Number FJCF10



Backing Plates

Type	Material	Hardness	Surface Treatment
BPFJ	S45C	28-33HRC	Black Oxide
BPFJM			Electroless Nickel Plating
BPFJS	SUS304	-	-



Part Number Type	No.	A	G	B	G <sub>1</sub>	K	C		
								BPFJ	BPFJM
	8	43	30	20		5.5			
	10	50	35	24		7	3		
	14	60	45	32	16	10			
	18	75	55	38	20	12			
	22	90	65	48	25	14	4		

Order Example: Part Number BPFJ10