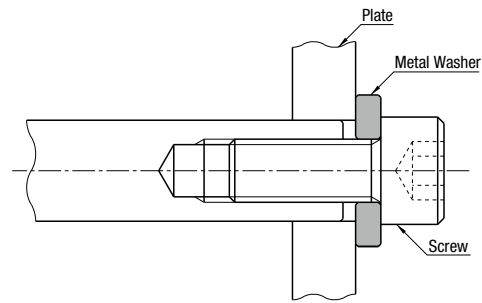
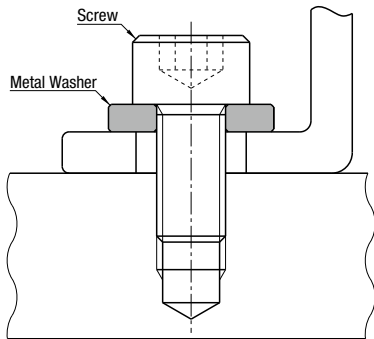


App. Example - Metal Washers / Collars

Major App. Examples of Washers / Collars ①

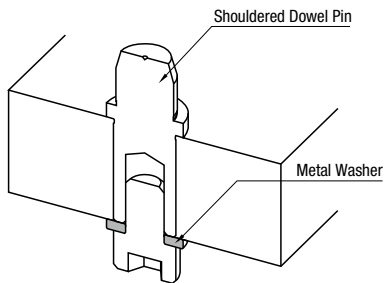
App. Example as Securing Bearing Surface

■ Bolt fastening is stable.



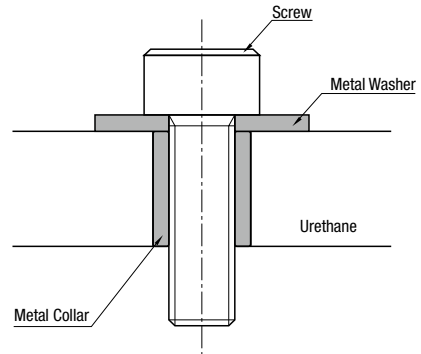
App. Example as Loosening Prevention Mechanism

■ By increasing the bearing surface there is larger friction, which makes loosening less likely.



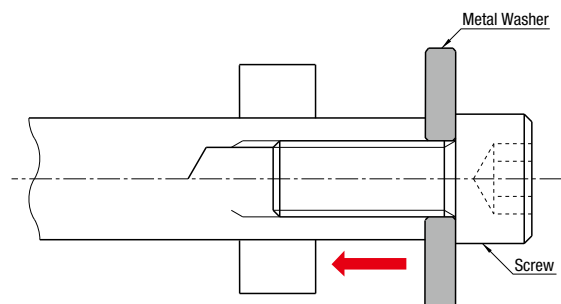
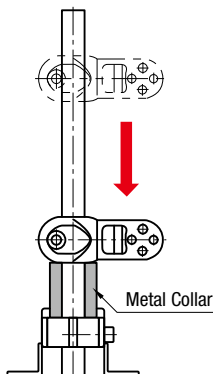
App. Example as Softwood Reinforcement

■ Prevents the bolt from collapsing.



App. Example as a Stopper

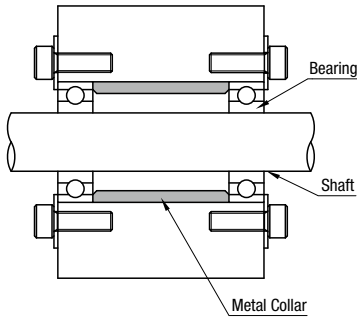
■ It can also be used as a fall prevention safety measure.



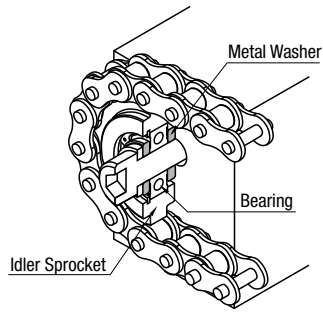
Major App. Examples of Washers / Collars②

App. Example - For Bearing Retention

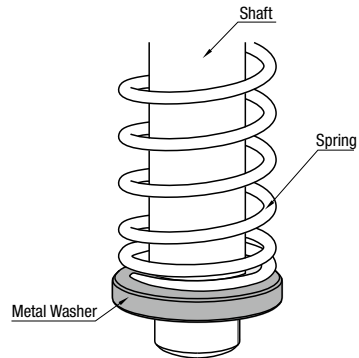
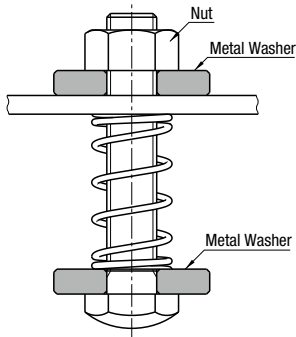
■ Used as spacer of the inner ring and the outer ring.



■ Used to secure bearing.



App. Example as Spring Seat



App. Example as Spacer

■ Used for height adjustment and raising.

